



PNM-9322VQP

10M to 22M Multi-directional
+ PTZ NW Camera

Benefits

- Multi-directional plus PTZ camera has five sensors in one camera
- Monitor a 360° wide area simultaneously with multi-directional camera while the PTZ camera zooms into the desired area for closer inspection
- When the multi-directional camera detects an event, it automatically links to PTZ camera which carries out zoom-in and track functions
- When using pre-set mode, PTZ camera zooms in to the position that the users pre-set, while smart zoom mode automatically zooms into the area where event is detected
- Users can choose a wide variety of lenses from 2M 2.4mm to 5M 7.0mm for PNM-9322VQP to create the most optimal field of view for their desired monitoring areas
- The costs of configuring and maintaining the system are also greatly reduced, while still maintaining the same pixels and high quality
- Even with backlight, Wisenet's cutting-edge WDR technology addresses a limitation found in conventional WDR cameras while producing clear and vivid images
- Wisenet P series multi-sensor cameras support a variety of exclusive video and audio analytics, including face detection, tampering notification and motion detection

PNM-9322VQP

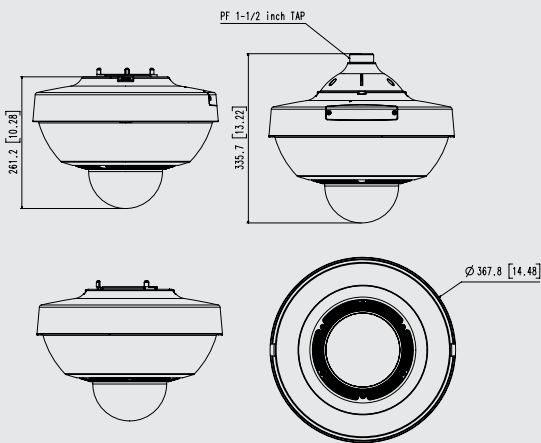
VIDEO	
Imaging Device	1~4CH: Optional lens / 5CH: 1/2.8" CMOS
Resolution	[5MP] 2560x1920, 2560x1440, 1920x1080, 1600x1200, 1280x1024, 1280x960, 1280x720, 1024x768, 800x600, 800x448, 720x576, 720x480, 640x480, 320x240 [2MP] 1920x1080, 1280x1024, 1280x960, 1280x720, 1024x768, 800x600, 800x448, 720x576, 720x480, 640x480, 640x360, 320x240
Max. Framerate	H.265/H.264: 2MP Max. 60fps/50fps(60Hz/50Hz), 5MP Max. 30fps/25fps(60Hz/50Hz) MJPEG: Max. 30fps/25fps(60Hz/50Hz)
Video Out	CVBS : 1.0 Vp-p / 75Ω composite, 720x480(N), 720x576(P), for installation
LENS	
Focal Length (Zoom Ratio)	1~4CH: Optional lens / 5CH: 4.44~142.6mm(32x) zoom
Optional Lens	SLA-2M2400P(2MP 2.4mm) SLA-2M2800P(2MP 2.8mm) SLA-2M3600P(2MP 3.6mm) SLA-2M6000P(2MP 6.0mm) SLA-2M1200P(2MP 12mm) SLA-5M3700P(5MP 3.7mm) SLA-5M4600P(5MP 4.6mm) SLA-5M7000P(5MP 7.0mm)
OPERATIONAL	
Camera Title	Displayed up to 85 characters
Day & Night	Auto(Electrical)
Backlight Compensation	BLC, HLC, WDR, SDDR
Wide Dynamic Range	2MP 150dB, 5MP 120dB
Digital Noise Reduction	SSNRV
Digital Image Stabilization	Support
Defog	Support
Motion Detection	8ea, 8point polygonal zones
Privacy Masking	32ea, polygonal zones - Color: Grey/Green/Red/Blue/Black/White - Mosaic
Gain Control	Low / Middle / High
White Balance	ATW / AWC / Manual / Indoor / Outdoor
LDC	Support
Electronic Shutter Speed	Minimum / Maximum / Anti flicker (2~1/12,000sec)
Video Rotation	Flip, Mirror, Hallway view(90°/270°)
Analytics	Defocus detection, Directional detection, Face detection, Fog detection, Motion detection, Appear/Disappear, Enter/Exit, Loitering, Tampering, Virtual line
Alarm Triggers	Analytics, Network disconnect, Alarm input
Alarm I/O	Input 1ea / Output 2ea
Alarm Events	File upload via FTP and e-mail Notification via e-mail SD/SDHC/SDXC recording at event triggers
Audio In	Selectable(mic in/line in) - PTZ(CH5) only Supply voltage: 2.5VDC(4mA), Input impedance: 2K Ohm
Audio Out	Line out, Max.output level: 1Vrms - PTZ(CH5) only
NETWORK	
Ethernet	Metal shielded RJ-45(10/100/1000BASE-T)
Video Compression	H.265/H.264: Main/Baseline/High, MJPEG
Smart Codec	Manual(5ea area), WiseStreamII
Bitrate Control	H.264/H.265: CBR or VBR MJPEG: VBR
Streaming	Unicast(20 users) / Multicast Multiple streaming(Up to 10 profiles)

Key Features

- Exchangeable 4ea x 2M / 5M lens modules
- 10M to 20M resolution (depend on the combination of lens modules)
- Max. 60fps@2M, Max. 30fps@5M (H.265 / H.264)
- WDR 150dB with 2M, 120dB with 5M lens module
- 2.4mm, 2.8mm, 3.6mm, 6mm, 12mm fixed lens (2M module)
- 3.7mm, 4.6mm, 7mm fixed lens (5M module)
- H.265, H.264, MJPEG codec, WiseStream II
- IP66, IK10, SD / SDHC / SDXC memory 5 slots
- 4.44~142.6mm(Optical 32x) lens, Day&Night (ICR)
- New install base design

Dimensions

Unit:mm(inch)



PNM-9322VQP

NETWORK

Protocol	IPv4, IPv6, TCP/IP, UDP/IP, RTP(UDP), RTP(TCP), RTCP, RTSP, NTP, HTTP, HTTPS, SSL/TLS, DHCP, FTP, SMTP, ICMP, IGMP, SNMPv1/v2c/v3(MIB-2), ARP, DNS, DDNS, QoS, PIM-SM, UPnP, Bonjour
Security	HTTPS(SSL) Login Authentication Digest Login Authentication IP Address Filtering User access log 802.1X Authentication(EAP-TLS, EAP-LEAP)
Edge Storage	Micro SD/SDHC/SDXC 4slot 256GB(Each CH)
Application Programming Interface	ONVIF Profile S SUNAPI(HTTP API)
Web Viewer	Supported OS: Windows 7, 8.1, 10, Mac OS X 10.10, 10.11, 10.12 Recommended Browser: Google Chrome Supported Browser: MS Explore 11, MS Edge, Mozilla Firefox(Window 64bit only), Apple Safari(Mac OS X only)
Memory	5GB RAM, 1280MB Flash

ENVIRONMENTAL

Operating Temperature / Humidity	-35°C~+55°C (-31°F ~ +131°F) / Less than 90% RH
Storage Temperature / Humidity	-50°C~+60°C(-58°F ~ +140°F) / Less than 90% RH
Certification	IP66, IK10

ELECTRICAL

Input Voltage	HPoE(IEEE802.3bt, Class 8)
Power Consumption	HPoE: Max 65W, Typical 34W

MECHANICAL

Colour / Material	White / Aluminum
Product dimensions / weight	$\varnothing 367.8 \times 335.7$ mm($\varnothing 14.48$ " \times 13.22") / 7.05kg(15.54lb)

* The latest product information / specification can be found at hanwha-security.eu
* Wisenet is the proprietary brand of Hanwha Techwin.