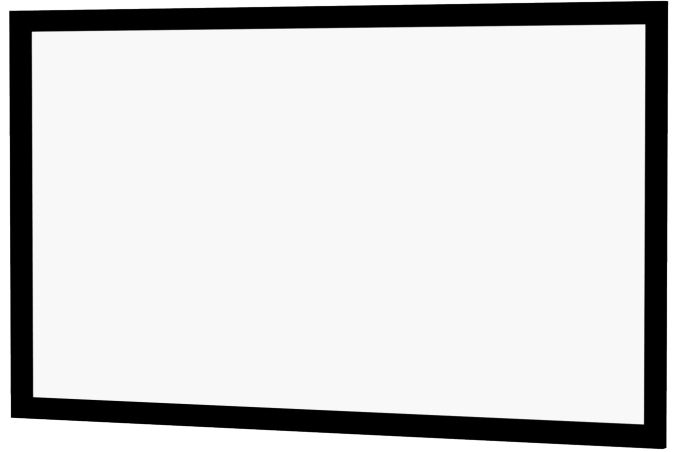


Cinema Contour

The Cinema Contour® features a wider, more substantial frame as well as the latest technology in projection surfaces designed for 4K and Ultra HD to maximize the technology of your projector. The larger standard black frame gives the eye a point of reference and enhances contrast for film purists and aficionados. The Cinema Contour can be customized by frame, finish, size and surface.



Features

- 45-degree angle-cut frame
- Perfectly flat viewing surface
- Surface mounts on the back of an aluminum frame with masking or cropping border
- Standard frame with Pro-Trim® finish to absorb light surrounding the viewing area
- Standard black backing retains projected brightness

16:9 HDTV Format

Viewing Area (H x W)		Nominal Diagonal		Overall Dimensions	
in.	cm	in.	cm	in.	cm
37½" x 67"	95 x 170	77"	196	43½" x 73"	110 x 185
40½" x 72"	103 x 183	82"	208	46½" x 78"	118 x 198
45" x 80"	114 x 203	92"	234	51" x 86"	130 x 218
49" x 87"	124 x 221	100"	254	55" x 93"	140 x 236
52" x 92"	132 x 234	106"	269	58" x 98"	147 x 249
54" x 96"	137 x 244	110"	279	60" x 102"	152 x 259
58" x 104"	147 x 264	119"	302	64" x 110"	163 x 279
65" x 116"	165 x 295	133"	338	71" x 122"	180 x 310
78" x 139"	198 x 353	159"	404	84" x 145"	213 x 368
94½" x 168"	240 x 427	193"	490	100½" x 174"	255 x 442
108" x 192"	274 x 488	220"	559	114" x 198"	290 x 503

16:10 Wide Format

Viewing Area (H x W)		Nominal Diagonal		Overall Dimensions	
in.	cm	in.	cm	in.	cm
50" x 80"	127 x 203	94"	239	56" x 86"	142 x 218
57½" x 92"	146 x 234	109"	277	63½" x 98"	161 x 249
60" x 96"	152 x 244	113"	287	66" x 102"	168 x 259
65" x 104"	165 x 264	123"	312	71" x 110"	180 x 279
69" x 110"	175 x 279	130"	330	75" x 116"	191 x 295
72½" x 116"	184 x 295	137"	348	78½" x 122"	199 x 310
87" x 139"	221 x 353	164"	417	93" x 145"	236 x 368
100" x 160"	254 x 406	189"	480	106" x 166"	269 x 422
110" x 176"	249 x 447	208"	528	116" x 182"	295 x 462
120" x 192"	305 x 488	226"	574	126" x 198"	320 x 503

Cinemascope (2.35:1) Format Dimensions

Viewing Area (H x W)		Nominal Diagonal		Overall Dimensions	
in.	cm	in.	cm	in.	cm
37½" x 88"	95 x 224	96"	244	43½" x 94"	110 x 239
40½" x 95"	103 x 241	103"	262	46½" x 101"	118 x 257
45" x 106"	114 x 269	115"	292	51" x 112"	130 x 284
49" x 115"	124 x 292	125"	318	55" x 121"	140 x 307
52" x 122"	132 x 310	133"	338	58" x 128"	147 x 325
54" x 126"	137 x 320	138"	351	60" x 132"	152 x 335
58" x 136½"	147 x 347	148"	376	64" x 142½"	163 x 362
65" x 153"	165 x 389	166"	422	71" x 159"	180 x 404
78" x 183½"	198 x 466	199"	505	84" x 189½"	213 x 481
81½" x 192"	207 x 488	208"	528	87½" x 198"	222 x 503

Available with the Following Screen Surfaces

Front Projection



HD Progressive 0.6
Half Angle: 85° Gain: 0.6



HD Progressive 0.9
Half Angle: 85° Gain: 0.9



HD Progressive 1.1
Half Angle: 85° Gain: 1.1



HD Progressive 1.1 Perf
Half Angle: 85° Gain: 1.1



HD Progressive 1.1 Contrast
Half Angle: 60° Gain: 1.1



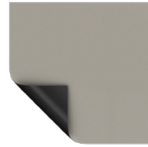
HD Progressive 1.1 Contrast Perf
Half Angle: 60° Gain: 1.1



HD Progressive 1.3
Half Angle: 75° Gain: 1.3



Da-Mat
Half Angle: 60° Gain: 1.0



High Contrast Da-Mat
Half Angle: 45° Gain: 0.8

Rear Projection



Dual Vision
Half Angle: 65° Gain: 0.9

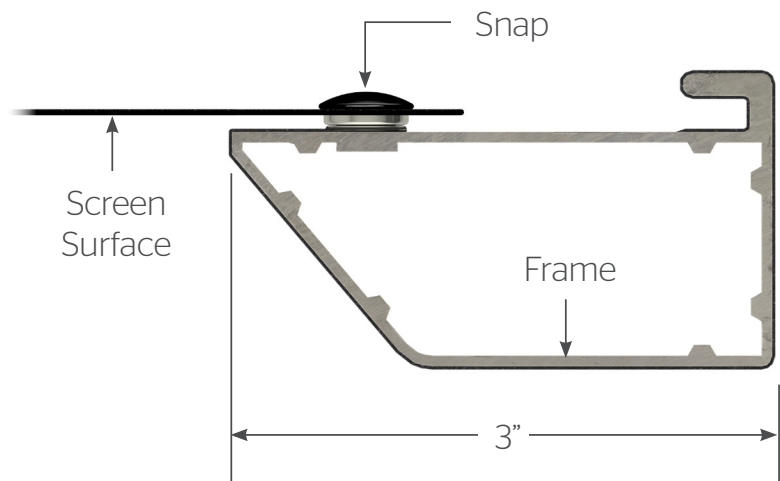


Da-Tex
Half Angle: 30° Gain: 1.3

Product images



Pro-Trim Fabric (Standard)



A BRAND OF MILESTONE AV TECHNOLOGIES | www.milestone.com

P 800.622.3737 / 574.267.8101 F 877.325.4832 / 574.267.7804

E info@da-lite.com

In British Columbia, Milestone AV Technologies ULC carries on business as MAVT Milestone AV Technologies ULC.

©2018 Milestone AV Technologies. DL-0457 (Rev. 3) 418.

Da-Lite is a registered trademarks of Milestone AV Technologies. All other brand names or marks are used for identification purposes and are trademarks of their respective owners. All patents are protected under existing designations. Other patents pending.