

## PCI-LB12F4S

### AcuSense 2 MP IR Fixed Bullet Network Camera



Empowered by deep learning algorithms, Hikvision AcuSense technology brings human or vehicle target classification alarms to front- and back-end devices. The system can greatly reduce false alarms generated by targets other than humans or vehicles, vastly improving alarm efficiency and effectiveness.

- High quality imaging with 1080p @ 60 fps
- Excellent low-light performance with Powered-by-DarkFighter technology
- Efficient H.265+ compression technology
- Clear imaging against strong backlight with 120 dB true WDR technology
- False alarm reduction through human and vehicle target classification based on deep learning
- Advanced streaming technology that enables smooth live view and data self-correcting in poor network conditions
- Water and dust resistant (IP67)



## Specifications

| Camera                      |   |
|-----------------------------|---|
| Image Sensor                | 1/2.8" Progressive Scan CMOS  |
| Min. Illumination           | 0.002 Lux @ (f/1.4, AGC on), 0 Lux with IR on   |
| Shutter Speed               | 1/3 s to 1/100,000 s  |
| Slow Shutter                | Yes   |
| P/N                         | P/N   |
| Wide Dynamic Range          | 120 dB  |
| Day/Night                   | ICR Cut   |
| Angle Adjustment            | Pan: 0° to 360°, tilt: 0° to 90°, rotate: 0° to 360°  |
| Lens                        |   |
| Lens Mount                  | M12   |
| Lens Type & FOV             | 4 mm, horizontal FOV 86°, vertical FOV 47°, diagonal FOV 102°   |
| Aperture                    | f/1.4   |
| DORI                        |   |
| DORI                        | 4 mm: D: 53 m, O: 21 m, R: 10 m, I: 5 m   |
| Illuminator                 |   |
| IR Range                    | Up to 295 ft (90 m)   |
| Wavelength                  | 850 nm  |
| Smart Supplement Light      | Yes   |
| Video                       |   |
| Max. Resolution             | 1920 × 1080   |
| Main Stream                 | 50 Hz: up to 50 fps (1920 × 1080, 1280 × 720)<br>60 Hz: up to 60 fps (1920 × 1080, 1280 × 720)<br>*High frame rate is supported under certain settings.                           |
| Sub-Stream                  | 50 Hz: 25 fps (640 × 480, 640 × 360, 320 × 240)<br>60 Hz: 30 fps (640 × 480, 640 × 360, 320 × 240)  |
| Third Stream                | 50 Hz: 15 fps (1280 × 720, 640 × 480, 640 × 360, 320 × 240)<br>60 Hz: 15 fps (1280 × 720, 640 × 480, 640 × 360, 320 × 240)  |
| Fourth Stream               | 50 Hz: 15 fps (1280 × 720, 640 × 480, 640 × 360, 320 × 240)<br>60 Hz: 15 fps (1280 × 720, 640 × 480, 640 × 360, 320 × 240)<br>*Fourth stream is supported under certain settings. |
| Video Compression           | Main stream: H.265/H.264/H.264+/H.265+<br>Sub-stream: H.265/H.264/MJPEG<br>Third stream: H.265/H.264<br>Fourth stream: H.265/H.264/MJPEG  |
| Video Bit Rate              | 32 Kbps to 8 Mbps   |
| H.264 Type                  | Baseline Profile/Main Profile/High Profile  |
| H.265 Type                  | Main Profile  |
| H.264+                      | Main stream supports  |
| H.265+                      | Main stream supports  |
| Bit Rate Control            | CBR/VBR   |
| Scalable Video Coding (SVC) | Yes   |
| Region of Interest (ROI)    | 5 fixed regions for main stream and sub-stream  |

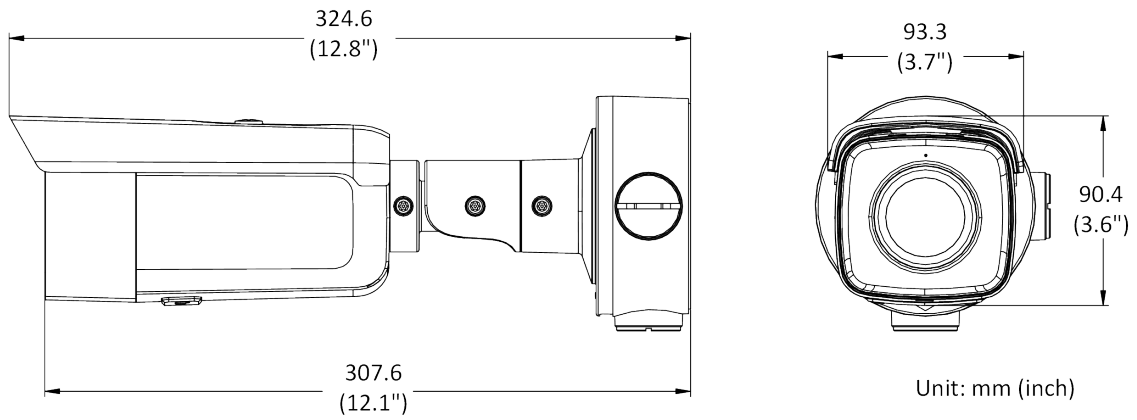
|                             |  |
|-----------------------------|--|
| e-PTZ                       | Supports Preset and Patrol settings<br>*Only the fourth stream supports this function.   |
| <b>Audio</b>                |  |
| Environment Noise Filtering | Yes  |
| Audio Sampling Rate         | 8 kHz/16 kHz/32 kHz/44.1 kHz/48 kHz  |
| Audio Compression           | G.711ulaw/G.711alaw/G.722.1/G.726/MP2L2/PCM/MP3  |
| Audio Bit Rate              | 64 Kbps (G.711ulaw/G.711alaw)/16 Kbps (G.722.1)/16 Kbps (G.726)/32–192 Kbps (MP2L2)/8–320 Kbps (MP3)   |
| <b>Network</b>              |  |
| Smooth Streaming            | Yes  |
| Simultaneous Live Views     | Up to 6 channels   |
| API                         | Open Network Video Interface (PROFILE S, PROFILE G, PROFILE T), ISAPI, SDK   |
| Protocols                   | TCP/IP, ICMP, HTTP, HTTPS, FTP, DHCP, DNS, DDNS, RTP, RTSP, NTP, UPnP, SMTP, IGMP, 802.1x, QoS, IPv4, IPv6, UDP, Bonjour, SSL/TLS, PPPoE, SFTP, ISUP, ARP  |
| User/Host                   | Up to 32 users. 3 user levels: administrator, operator, and user   |
| Security                    | Password protection, complicated password, HTTPS encryption, IP address filter, Security Audit Log, basic and digest authentication for HTTP/HTTPS, TLS 1.2, WSSE and digest authentication for Open Network Video Interface, memory card encryption, SFTP encryption, SRTP encryption |
| Network Storage             | MicroSD/SDHC/SDXC card (256 GB) local storage, and NAS (NFS, SMB/CIFS), auto network replenishment (ANR), FTP ANR  |
| Client                      | iVMS-4200, Hik-Connect, HikCentral   |
| Web Browser                 | Plug-in required live view: IE 10, IE 11<br>Plug-in free live view : Chrome 57.0+, Firefox 52.0+<br>Local service: Chrome 57.0+, Firefox 52.0+   |
| <b>Image</b>                |  |
| Day/Night Switch            | Day, Night, Auto, Schedule   |
| Target Cropping             | Yes  |
| Image Enhancement           | BLC, HLC, 3D DNR, EIS, Defog   |
| Image Parameters Switch     | Yes  |
| Image Settings              | Rotate mode, saturation, brightness, contrast, sharpness, gain, white balance adjustable by client software or Web browser   |
| <b>Interface</b>            |  |
| Alarm                       | 2 inputs, 2 outputs (max. 24 VDC, 1A)  |
| Audio                       | 1 input (line in), 3.5 mm connector, max. input amplitude: 3.3 vpp, input impedance: 2.2K $\Omega$ , interface type: non-equilibrium; 1 output (line out), 3.5 mm connector, max. output amplitude: 3.3 vpp,output impedance: 100 $\Omega$   |
| On-Board Storage            | Built-in microSD/SDHC/SDXC slot, up to 256 GB  |
| Hardware Reset              | Yes  |
| Communication Interface     | 1 RJ-45 10M/100M self-adaptive Ethernet port   |
| Power Output                | 12 VDC, max. 100 mA (supported by all power supply types)  |
| <b>Event</b>                |  |
| Basic Event                 | Motion detection, video tampering alarm, exception (network disconnected, IP address conflict, illegal login, HDD full, HDD error)   |

|                                  |   |
|----------------------------------|---|
| Smart Event                      | Unattended baggage detection, object removal detection, scene change detection, audio exception detection, video quality diagnosis  |
| <b>Deep Learning Function</b>    |   |
| Perimeter Protection             | Line crossing detection, intrusion detection, region entrance detection, region exiting detection   |
| <b>General</b>                   |   |
| Linkage Method                   | Upload to NAS/memory card, notify surveillance center, trigger record, trigger capture  |
| Web Client Language              | 33 languages: English, Russian, Estonian, Bulgarian, Hungarian, Greek, German, Italian, Czech, Slovak, French, Polish, Dutch, Portuguese, Spanish, Romanian, Danish, Swedish, Norwegian, Finnish, Croatian, Slovenian, Serbian, Turkish, Korean, Traditional Chinese, Thai, Vietnamese, Japanese, Latvian, Lithuanian, Portuguese (Brazil), Ukrainian |
| General Function                 | Anti-flicker, heartbeat, mirror, privacy masks, flash log, password reset via e-mail, pixel counter   |
| Software Reset                   | Yes   |
| Storage Conditions               | -30° to 60° C (-22° to 140° F), humidity 95% or less (non-condensing)   |
| Startup and Operating Conditions | -30° to 60° C (-22° to 140° F), humidity 95% or less (non-condensing)   |
| Power Supply                     | 12 VDC ±25%, reverse polarity protection<br>PoE: 802.3at, Class 4   |
| Power Consumption and Current    | 12 VDC, 1.05 A, max. 13 W<br>PoE (802.3 at, 42.5 V to 57 V), 0.33 A to 0.25 A, max. 14 W  |
| Power Interface                  | Ø5.5 mm coaxial power plug  |
| Camera Dimension                 | 324.6 mm × 93.3 mm × 90.4 mm (12.8" × 3.7" × 3.7")  |
| Package Dimension                | 386 mm × 156 mm × 155 mm (15.2" × 7.5" × 7.1")  |
| Camera Weight                    | Approx. 1110 g (2.4 lb)   |
| With Package Weight              | Approx. 1610 g (3.5 lb)   |
| <b>Approval</b>                  |   |
| EMC                              | FCC SDoC (47 CFR Part 15, Subpart B); CE-EMC (EN 55032: 2015, EN 61000-3-2: 2019, EN 61000-3-3: 2013, EN 50130-4: 2011 +A1: 2014); RCM (AS/NZS CISPR 32: 2015); IC VoC (ICES-003: Issue 6, 2019); KC (KN 32: 2015, KN 35: 2015)   |
| Safety                           | UL (UL 60950-1); CB (IEC 60950-1:2005 + Am 1:2009 + Am 2:2013, IEC 62368-1:2014); CE-LVD (EN 60950-1:2006+A2:2013, IEC 62368-1:2014+A11:2017); BIS (IS 13252(Part 1):2010+A1:2013+A2:2015); LOA (SANS IEC60950-1)   |
| Environment                      | CE-RoHS (2011/65/EU); WEEE (2012/19/EU); Reach (Regulation (EC) No 1907/2006)   |
| Protection                       | Ingress protection: IP67 (IEC 60529-2013)   |

## Available Model

PCI-LB12F4S

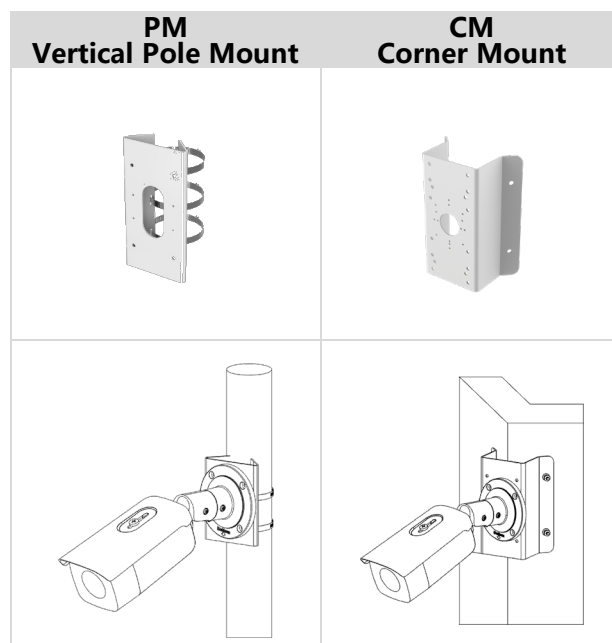
**Dimensions**



**Included Accessory**



**Optional Accessories**



Distributed by

**HIKVISION®****Headquarters**

No.555 Qianmo Road, Binjiang District,  
Hangzhou 310051, China  
T +86-571-8807-5998  
overseasbusiness@hikvision.com

**Hikvision USA**  
T +1-909-895-0400  
sales.usa@hikvision.com

**Hikvision Australia**  
T +61-2-8599-4233  
salesau@hikvision.com

**Hikvision India**  
T +91-22-28469900  
sales@pramahikvision.com

**Hikvision Canada**  
T +1-866-200-6690  
sales.canada@hikvision.com

**Hikvision Thailand**  
T +662-275-9949  
sales.thailand@hikvision.com

**Hikvision Europe**  
T +31-23-5542770  
sales.eu@hikvision.com

**Hikvision Italy**  
T +39-0438-6902  
info.it@hikvision.com

**Hikvision Brazil**  
T +55 11 3318-0050  
Latam.support@hikvision.com

**Hikvision Turkey**  
T +90 (216)521 7070- 7074  
sales.tr@hikvision.com

**Hikvision Malaysia**  
T +601-7652-2413  
sales.my@hikvision.com

**Hikvision UK & Ireland**  
T +01628-902140  
sales.uk@hikvision.com

**Hikvision South Africa**  
Tel: +27 (10) 0351172  
sale.africa@hikvision.com

**Hikvision France**  
T +33(0)1-85-330-450  
info.fr@hikvision.com

**Hikvision Kazakhstan**  
T +7-727-9730667  
nikia.panfilov@hikvision.ru

**Hikvision Vietnam**  
T +84-974270888  
sales.vt@hikvision.com

**Hikvision UAE**  
T +971-4-4432090  
salesme@hikvision.com

**Hikvision Singapore**  
T +65-6684-4718  
sg@hikvision.com

**Hikvision Spain**  
T +34-91-737-16-55  
info.es@hikvision.com

**Hikvision Tashkent**  
T +99-87-1238-9438  
uzb@hikvision.ru

**Hikvision Hong Kong**  
T +852-2151-1761  
info.hk@hikvision.com

**Hikvision Russia**  
T +7-495-669-67-99  
saleru@hikvision.com

**Hikvision Korea**  
T +82-(0)31-731-8817  
sales.korea@hikvision.com

**Hikvision Poland**  
T +48-22-460-01-50  
info.pl@hikvision.com

**Hikvision Indonesia**  
T +62-21-2933759  
Sales.Indonesia@hikvision.com

**Hikvision Colombia**  
sales.colombia@hikvision.com