

\* All images in this datasheet are for illustrative purposes only.

## INDOOR LG LED SIGNAGE

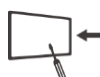
# LSCB Ultra Slim Series

### EAN:

8806091027528 (LSCB015-GK)  
8806091013286 (LSCB018-GK)  
8806091027559 (LSCB025-GK)  
8806098756537 (LCIN006)



Ultra Slim Depth



Easy & Seamless  
Installation



16:9 FHD/UHD  
Configuration



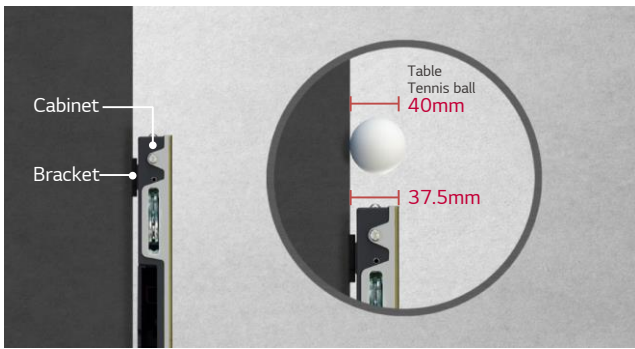
90° Corner Design  
Available



EMC Class B  
Certified

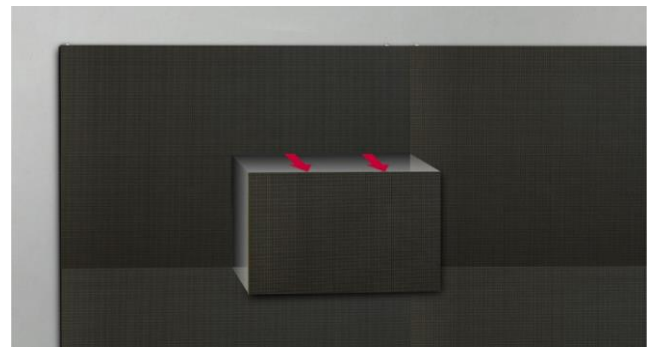


Fire Resistant  
Design



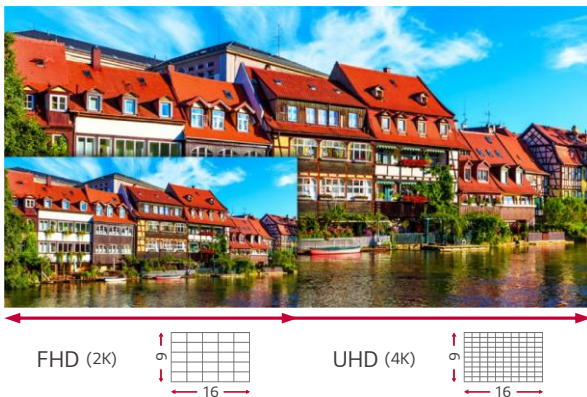
### Ultra Slim Depth

Its ultra-slim design with 37.5 mm edge thickness is the biggest advantage of the product. This feature enables the LSCB series to be installed and utilized in any type of venues without restriction.



### Easy & Seamless Installation

The LSCB series can be easily installed and managed from the front side for easy operation. Thanks to this feature, no additional space for maintenance behind the product is required. Its LED modules can also be simply attached or detached with a magnetic tool.



### 16:9 FHD/UHD Configuration

Each cabinet uses a 16:9 aspect ratio, the same most commonly used in displays for FHD and UHD content. This allows you to keep using existing content without additional cost and time for editing.



Conventional

90° Corner Option Applied

### 90° Corner Design Available

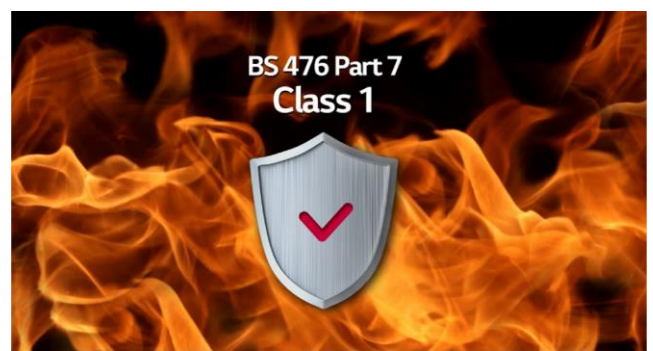
If you add 90° corner option, the LSCB series fits naturally into the space and delivers smooth & flawless content to customers.

	Class A	Class B
USA	 Non-residential	 Residential
EU	 Industrial	 Residential, Commercial, Light Industrial

← Emissions Increase

### EMC Class B Certified

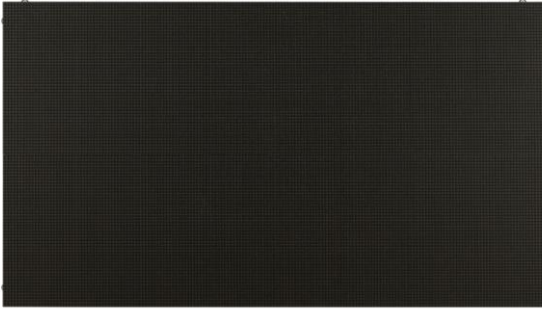
Boasting EMC Class B certification, the LSCB series guarantees its safety by producing low amount of electromagnetic wave which is harmful to the environment and people.



### Fire Resistant Design

The LSCB series obtained Fire Protection Certification and is designed to keep flames from spreading quickly. So you can find enough time to deal with the emergency in case of fire.

## PRODUCT INFORMATION

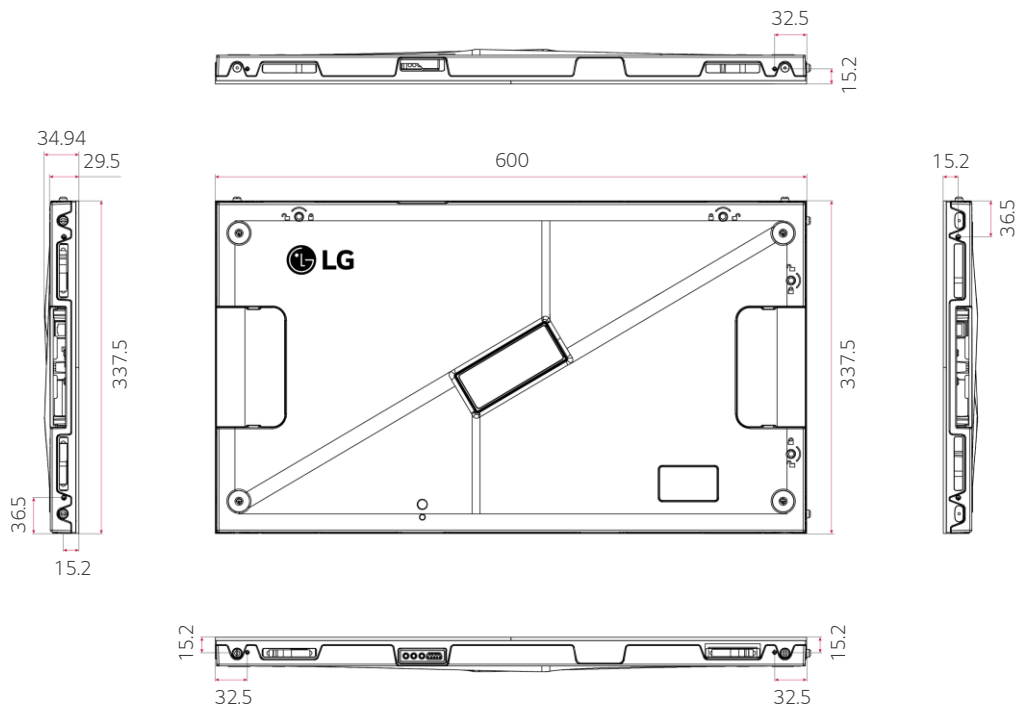


### LSCB Series

Pixel Pitch	1.56 / 1.87 / 2.50 mm
Brightness	800 nit
Refresh Rate	3,840 Hz
Serviceability	Front
IP Rating	IP30

## DIMENSION

(unit: mm)





## SPECIFICATIONS

Panel	Model Name	LSCB015	LSCB018	LSCB025
Physical Parameters	Pixel Configuration	3 in 1 SMD	3 in 1 SMD	3 in 1 SMD
	Pixel Pitch (mm)	1.56	1.87	2.50
	Module Resolution (W x H)	192 x 108	160 x 90	120 x 135
	Module Dimensions (W x H, mm)	300 x 168.75	300 x 168.75	300 x 337.5
	Weight per Module (kg)	0.40	0.40	0.90
	No. of Modules per Cabinet (W x H)	2 x 2	2 x 2	2 x 1
	Cabinet Resolution (W x H)	384 x 216	320 x 180	240 x 135
	Cabinet Dimensions (W x H x D, mm)	600 x 337.5 x 35	600 x 337.5 x 35	600 x 337.5 x 35
	Cabinet Surface Area (m <sup>2</sup> )	0.203	0.203	0.203
	Weight per Cabinet (kg/Cabinet)	5.2	5.2	5.2
	Weight per Square Meter (kg/m <sup>2</sup> )	25.7	25.7	25.7
	Physical Pixel Density (pixels/m <sup>2</sup> )	409,600	284,444	160,000
	Flatness of Cabinet (mm)	±0.1	±0.1	±0.1
	Cabinet Material	Die-casting Aluminum	Die-casting Aluminum	Die-casting Aluminum
Service Access	Front	Front	Front	
Optical Specifications	Min. Brightness (After Calibration)	800 nit	800 nit	800 nit
	Color Temperature	3,500 - 9,000	3,500 - 9,000	3,500 - 9,000
	Visual Viewing Angle (H x V)	160 x 160	160 x 160	160 x 160
	Brightness Uniformity	97%	97%	97%
	Contrast Uniformity	±0.003 Cx,Cy	±0.003 Cx,Cy	±0.003 Cx,Cy
	Contrast Ratio	5,000	5,000	5,000
	Processing Depth (bit)	14	14	14
Electrical Specifications	Power Consumption (W/Cabinet, Max.)	150	150	150
	Power Consumption (W/Cabinet, Avg.)	50	50	50
	Power Consumption (W/m <sup>2</sup> , Max.)	740	740	740
	Power Consumption (BTU/h/Cabinet, Max.)	512	512	512
	Power Consumption (BTU/h/Cabinet, Avg.)	171	171	171
	Power Consumption (BTU/h/m <sup>2</sup> , Max.)	2,525	2,525	2,525
	Power Supply (V)	100 to 240	100 to 240	100 to 240
	Frame Rate (Hz)	50 / 60	50 / 60	50 / 60
	Refresh Rate (Hz)	3,840	3,840	3,840
Operation Specifications	Lifetime (Hours to Half Brightness)	100,000	100,000	100,000
	Operating Temperature	-10°C to +45°C	-10°C to +45°C	-10°C to +45°C
	Operating Humidity	10-80% RH	10-80% RH	10-80% RH
	IP Rating Front	IP30	IP30	IP30
	IP Rating Rear	IP30	IP30	IP30
Certification		CE, FCC, ETL, EMC Class B, Fire Protection	CE, FCC, ETL, EMC Class B, Fire Protection	CE, FCC, ETL, EMC Class B, Fire Protection
Environment		RoHS	RoHS	RoHS

Controller	Model Name	CVCA	LCIN006	LCIN008 (4K)
Input	Interface	HDMI / DP / OPS / USB	HDMI / DVI	HDMI / DVI / DP
	Resolution	3,840 x 2,160 @60Hz	1,920 x 1,200 @60Hz	3,840 x 2,160 @60Hz
Output	Signal	Gigabit Ethernet (16 ea)	Gigabit Ethernet (4 ea)	Gigabit Ethernet (16 ea)
	Fiber Optical	X	X	4 ea
Control	RJ45	O	X	O
	USB	X	O	O
Electrical	Power Consumption (W)	50	16	30
	Power Supply (V)	AC 100-240 V	AC 100-240 V	AC 100-240 V
Mechanical	Size (mm)	443 (W) x 307.5 (D) x 63 (H) → EIA Standard Rack (2U)	482.6 (W) x 250 (D) x 44.45 (H) → EIA Standard Rack (1U)	482.6 (W) x 250 (D) x 96 (H) → EIA Standard Rack (3U)
	Weight (kg)	4.9	2.9	4.6
Feature	Signal Redundancy	O	O	O
	HDR10	O	X	O

\* Specifications are subject to change without notice.



Download  
LG C-Display+  
Mobile App  
Google Play Store

[www.lg.com/global/business/information-display](http://www.lg.com/global/business/information-display)  
[www.youtube.com/c/LGCommercialDisplay](https://www.youtube.com/c/LGCommercialDisplay)  
[www.facebook.com/LGInformationDisplay](https://www.facebook.com/LGInformationDisplay)  
[www.linkedin.com/company/lginformationdisplay](https://www.linkedin.com/company/lginformationdisplay)  
[twitter.com/LG\\_ID\\_HQ](https://twitter.com/LG_ID_HQ)

LG may make changes to specifications and product descriptions without notice. Copyright © 2020 LG Electronics Inc. All rights reserved. "LG Life's Good" is a registered trademark of LG Corp. The names of products and brands mentioned here may be the trademarks of their respective owners.

