

## VISIX 5MP Outdoor Bullet with Remote Focus (2.7-13.5mm), IR, Audio and Alarm I/O. IP67/IK9 rated

This five (5) megapixel IP camera from 3xLOGIC provides dual-streaming high-definition video at a full 2592 X 1944 pixels for video surveillance applications requiring superior clarity and detail.

The VX-5M-B-RIAWD is packed with all the features you might need for nearly any application including: motion detection; low-light day/night functionality; two-way audio and compatibility with a wide variety of standardized network protocols.

The convenient and aesthetically-pleasing bullet camera allows un-obtrusive and easy installation in a wide variety of areas. In addition, this camera is designed to continue functioning at top performance at temperatures as low as -40°C (-40°F) and as high as 50°C (122°F) allowing a wide range of applications.

Comes standard with a 2.7-13.5mm vari-focal lens providing support for most applications. Day / Night operation allows use in varying lighting conditions down to 0.06 lux and 0 lux with IR providing better night time video. Superior compatibility with all VIGIL products allowing the best performance and capabilities possible.

The VX-5M-B-RIAW is compatible with the entire VIGIL Software Suite, including direct access through VIGIL Client and our mobile app View Lite II, as well as with VIGIL Central Management for remote health monitoring and notification.



### Typical Use Cases



**K-12  
EDUCATION**



**HEALTHCARE**



**WAREHOUSE &  
DISTRIBUTION**

### Key Features and Benefits

<b>Lens</b>	<b>2.7mm-13.5mm</b>
<b>Resolution (Megapixels)</b>	<b>5</b>
<b>2592 x 1944 Resolution</b>	✓
<b>Variable angle of view(109° to 39°)</b>	✓
<b>Infrared(Low-Lighting/No-Light)</b>	✓
<b>H.264/H.265/MJPEG</b>	✓
<b>Two-Way Audio</b>	✓
<b>Wide Dynamic Range</b>	<b>120db</b>
<b>IP67 Weather-Resistant</b>	✓
<b>4 Year Warranty</b>	✓

### What's in the Box

Template Sheet  
Torx Wrench  
Waterproof Cap & Gasket  
Screw & Anchor  
Test Video Cable

### Camera

Image Sensor:	1/2.8" 5.14M CMOS (Sony Starvis)
Lens	2.7-13.5mm, F1.4
Motorized?	Yes
Angle of View	D:39°~109°, H:31°~85°, V:24°~62°
Min Illum	0.06 Lux, 0Lux with IR (F1.4)
IR Range	50m
Shutter Time	1/15 ~ 1/32000
Day/Night	TDN (True Day & Night)
WDR	WDR - 120dB

### Compression Standard

Video Compression	H.264, H.265, MJPEG
Bit Rate	100Kbps ~ 10Mbps
Video Streams	2592x1944p30 + 480p30

### Image

Max Image Resolution	2592(H) X 1944(V)
Frame Rate	30fps

### Functions

Alarm Triggers	Motion Alarm, Network disconnection, Temperature critical
Local Storage	Micro SD / SDHC / SDXC
SD Card Capacity	128GB
Audio Compression	G.711
Security Protocols	HTTPS(SSL), IP filtering, 802.1x, Digest Authentication TCP/IP, UDP, AutoIP, RTP(UDP/TCP), RTSP, NTP, HTTP, HTTPS, SSL, DNS, DDNS, DHCP, FTP, SMTp, ICMP, SNMPv1/v2/v3(MIB-2), ONVIF CGI API, ONVIF
System Compatibility	

### Physical

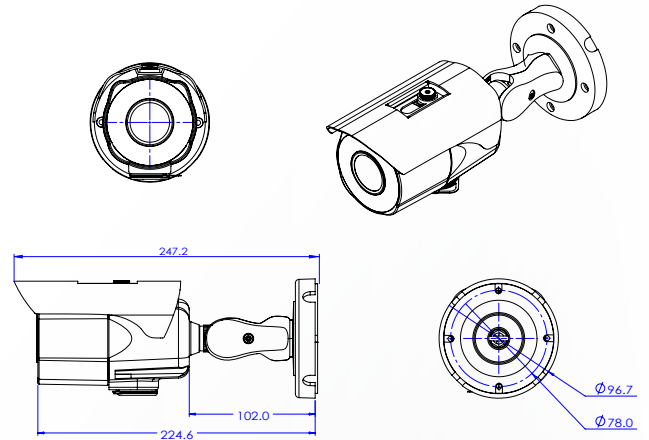
Operating Conditions	-40°C ~ 50°C (-40°F ~ 122°F)
Humidity	10-90% RH (non-condensing)
Weather Proof Rating	IP67
Impact Protection	IK9
Housing Material	Aluminum
Window Material	PC 1811, 835
Dimensions (D x H)	247.2 mm x 96.7 mm mm
Weight	0.9kg
Local Storage	128 GB Max. Micro SD / SDHC / SDXC

### Electrical

Power Supply	DC DC12V / POE IEEE 802.3af
Power Consumption	DC12V Max 9W PoE Max 10.5W

### Certifications

FCC Part 15, Subpart B, Class A  
CAN ICES-3 (A)/NMB-3(A)  
UL and ULC Safety  
CE



### Interface

Communication	RJ45(10/100BASE-T)
Alarm Input	1
Alarm Output	1
Video Output	1 CVBS 1.0V p-p(75ohm)
Audio Input	1[1.0Vms, 3K ohm]
Audio Output	1

### Part Number

Part Number	VX-5M-B-RIAW
-------------	--------------

### Warranty

Four (4) years

### Recommended Mounts

VX-POLE-BP07	Pole Mount Adapter
VX-JB-BJC07	Junction Box