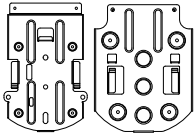


Ceiling Mount Kit

Quick Installation Guide

Package Contents



Ceiling mount
bracket(x2)

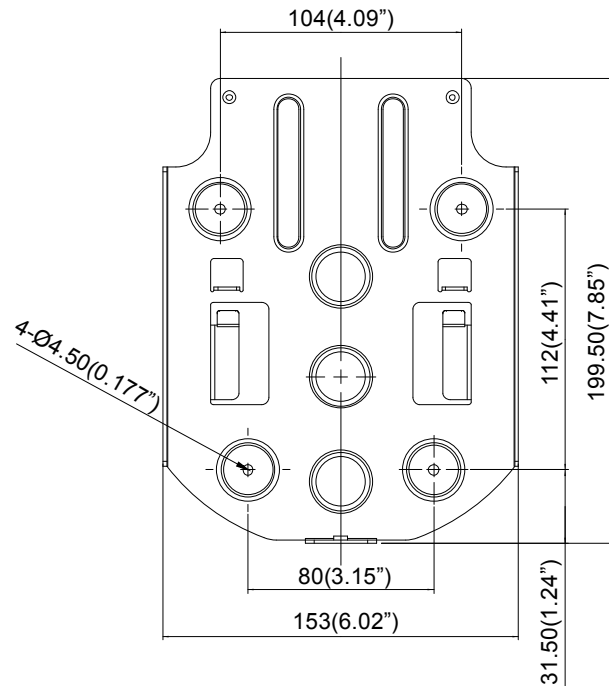


1/4"-20L=6.5mm
Screw(x1)



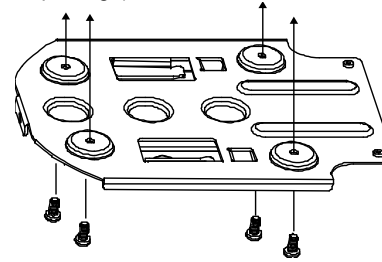
M3 x 6mm
Screw(x3)

Dimensions

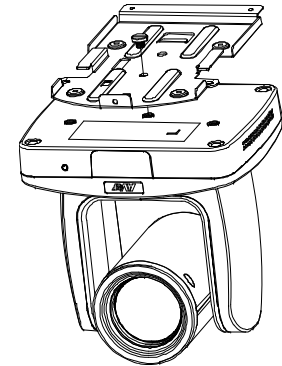


Ceiling installation

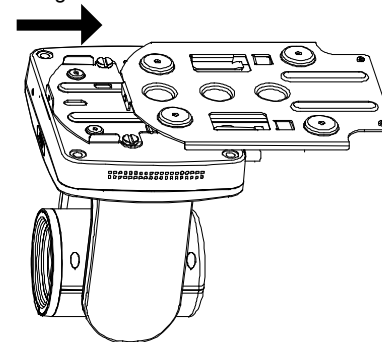
1. Secure the mount bracket on the ceiling.
Screw: 4 screws, M4 x 10mm(Not Included in the package)



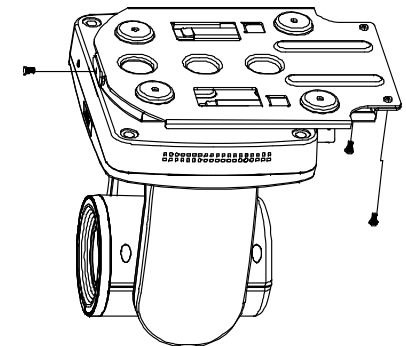
2. Install the mount bracket on the camera.
Screw: 1 screw, 1/4"-20 L=6.5mm(Included in the package)



3. Slide the mount bracket with the camera into the mount bracket which secured on the ceiling.



4. Secure the camera with screws.
Screw: 3 screws, M3 x 6mm(Included in the package)



[Note] Connects necessary cables after sliding the camera into the mount bracket.