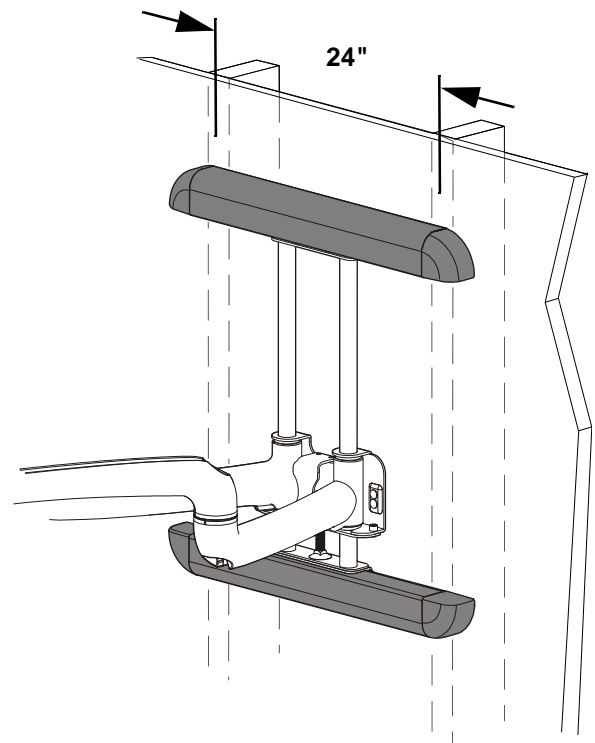

INSTALLATION INSTRUCTIONS

24" Stud Kit

Model: PAC-124

The Chief PAC-124 is used to extend the wood stud mounting options of the Chief PDR, PNR and PWR, MWR, and MWH series mounts out to 24" stud enters.



BEFORE YOU BEGIN



WARNING: It is the installer's responsibility to make sure all components are properly assembled and installed using the instructions provided. Failure to read, thoroughly understand, and follow all instructions can result in serious personal injury, damage to equipment, or voiding of factory warranty.

- If you have any questions about this installation, contact Chief Manufacturing at 1-800-582-6480.



IMPORTANT WARNINGS AND CAUTIONS!

WARNING: A WARNING alerts you to the possibility of serious injury or death if you do not follow the instructions.

CAUTION: A CAUTION alerts you to the possibility of damage or destruction of equipment if you do not follow the corresponding instructions.



WARNING: THE MOUNTS THIS KIT CAN BE USED WITH CAN WEIGH IN EXCESS OF 40 LBS. Use two people, and proper lifting techniques, when lifting and positioning the mount.

INTRODUCTION

TOOLS REQUIRED FOR INSTALLATION

- No Tools required for this installation

PARTS

Unpack carton, inspect and verify contents. Read installation instructions completely. If any listed parts are missing, contact a Chief Customer Service Representative at 1-800-582-6480.

Table 1: Parts

Ref.	Description	QTY
10	BRACKET, Wall Channel, 24" stud centers	2
20	COVER, Wall Channel, 24" stud centers	2
30	CAP, End, R.H.	2
40	CAP, End, L.H.	2

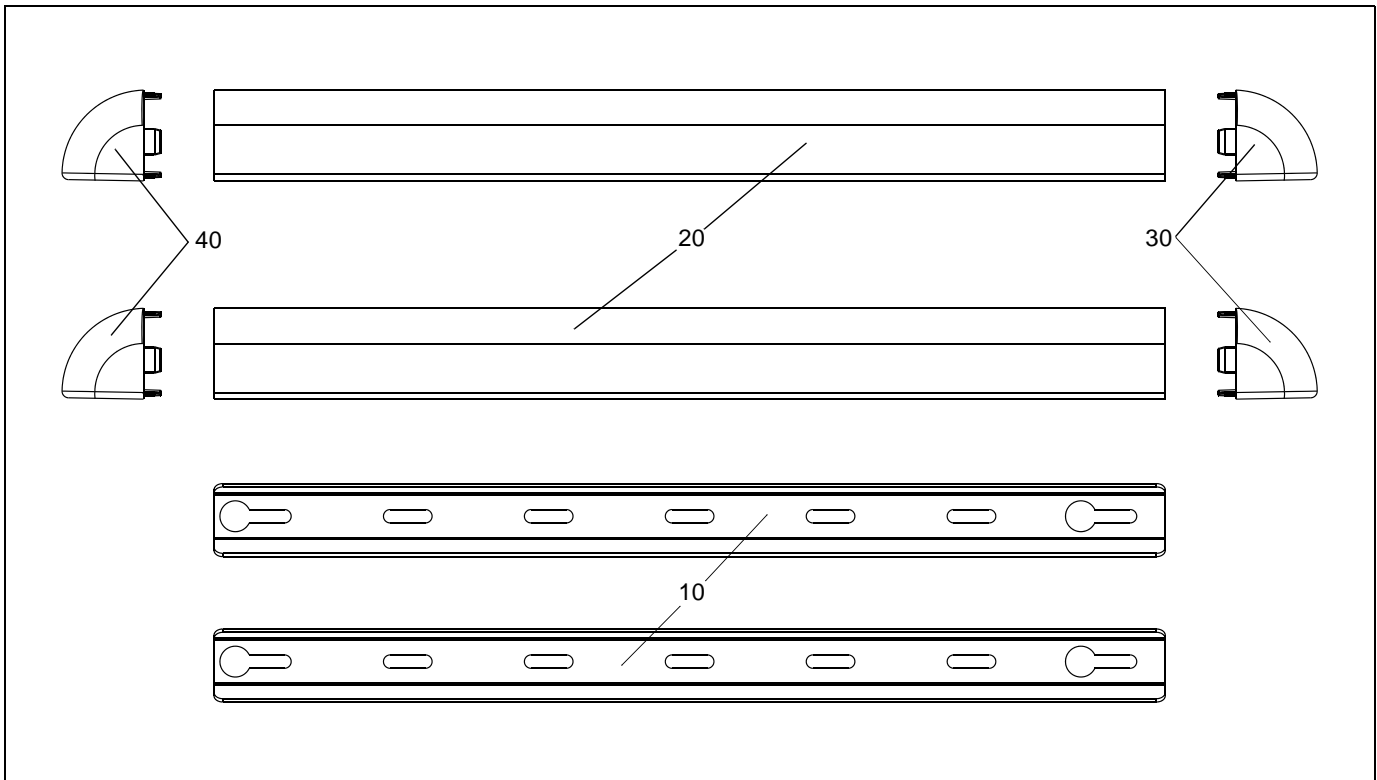


Figure 1: Parts

KIT INSTALLATION

16" End Cap, Channel Cover and Wall Channel Removal

1. Carefully lay mount assembly down on back.
2. Firmly grasp four end caps and pull outward, away from mount. (See Figure 2)
3. Slide wall channel cover and pull outward, away from mount. (See Figure 2)

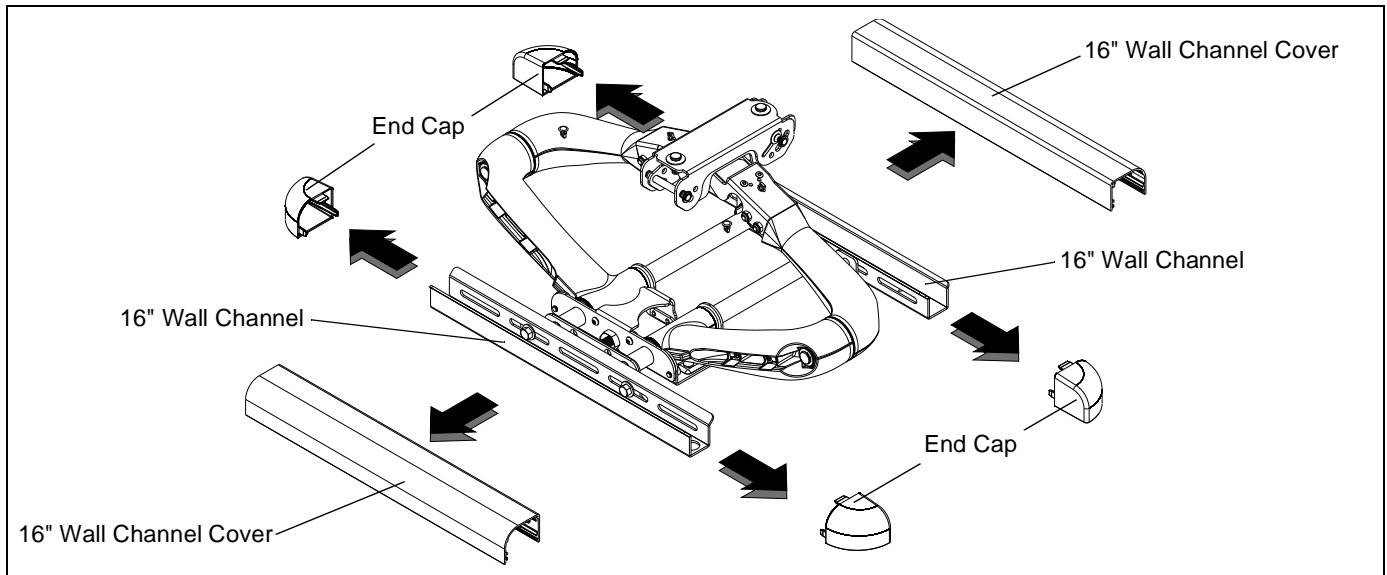


Figure 2: 16" Channel Cover and End Cap Removal (faceplate removed for clarity)

4. Remove four HHCS and four FW securing upper and lower wall channels to mount. (See Figure 3)
5. Set hardware aside for reuse.

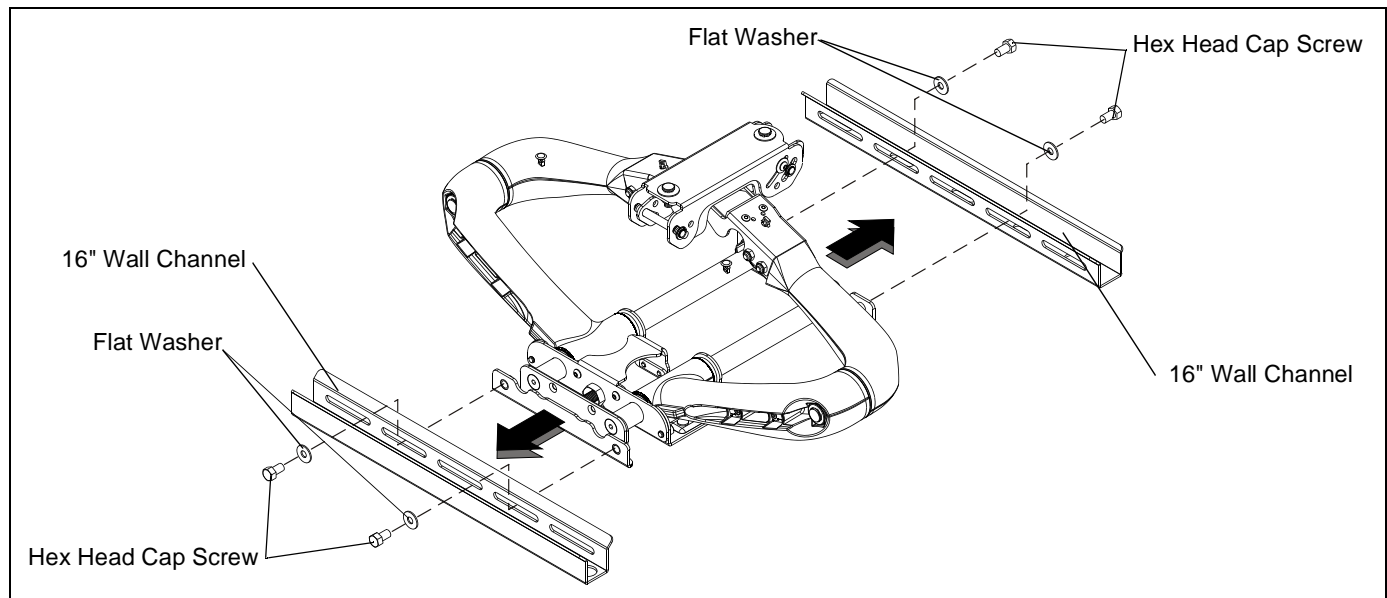


Figure 3: 16" Wall Channel Removal (faceplate removed for clarity)

24" Wall Channel, End Cap, and Channel Cover Installation

1. Secure 24" upper and lower wall channels to mount using four FW and four BHCS set aside during 16" wall channel removal. (See Figure 4)
2. Tighten all screws.

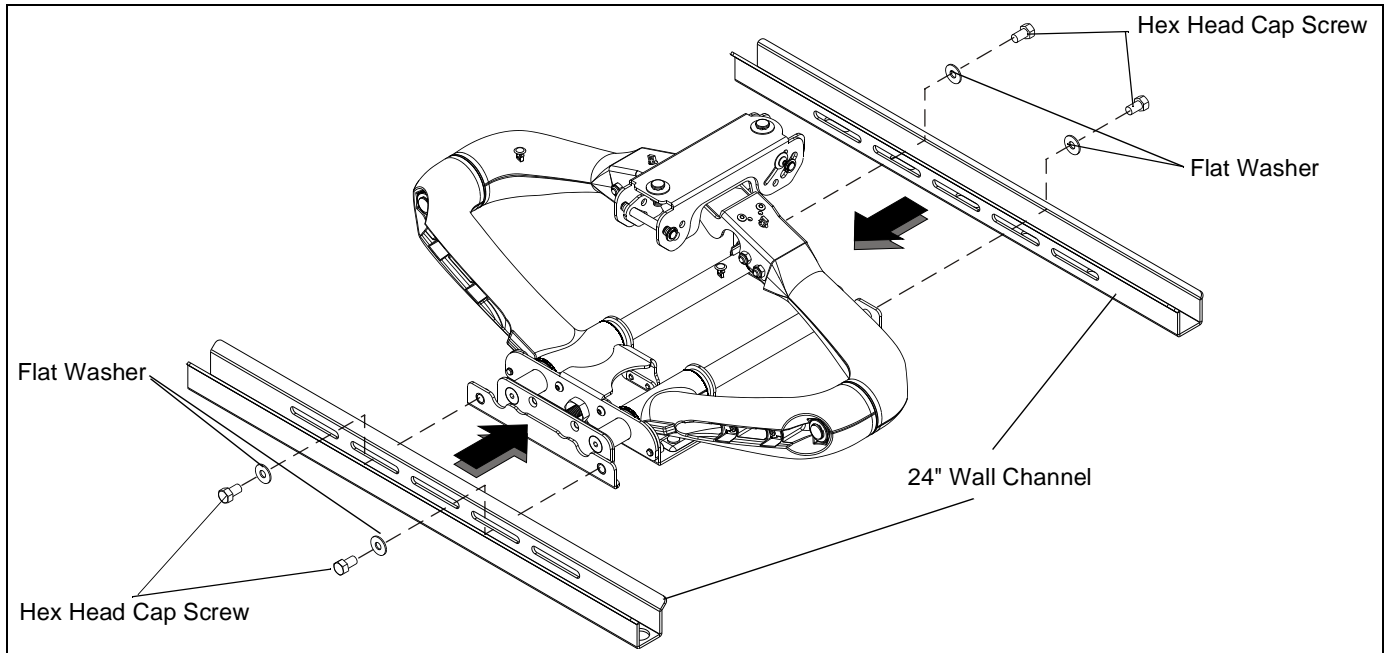


Figure 4: Install 24" Wall Channel

3. Install mount following the instructions provided with mount.
- IMPORTANT !** : Mounting holes must be located based upon 24" stud centers when installing mount.
4. Install 24" upper wall channel cover by tipping cover top down and positioning as shown in STEP A of figure 5 below.
 5. Lower bottom of upper wall channel and tap firmly across bottom of channel to lock in place as shown in STEP B of figure 5 below.
 6. Install R.H. and L.H. end caps by aligning tabs on end caps with slots in wall channel and sliding tabs into channel until end cap is flush with wall channel cover. (See Figure 5)
 7. Repeat steps 4 through 6 above for lower wall channel cover and end caps.

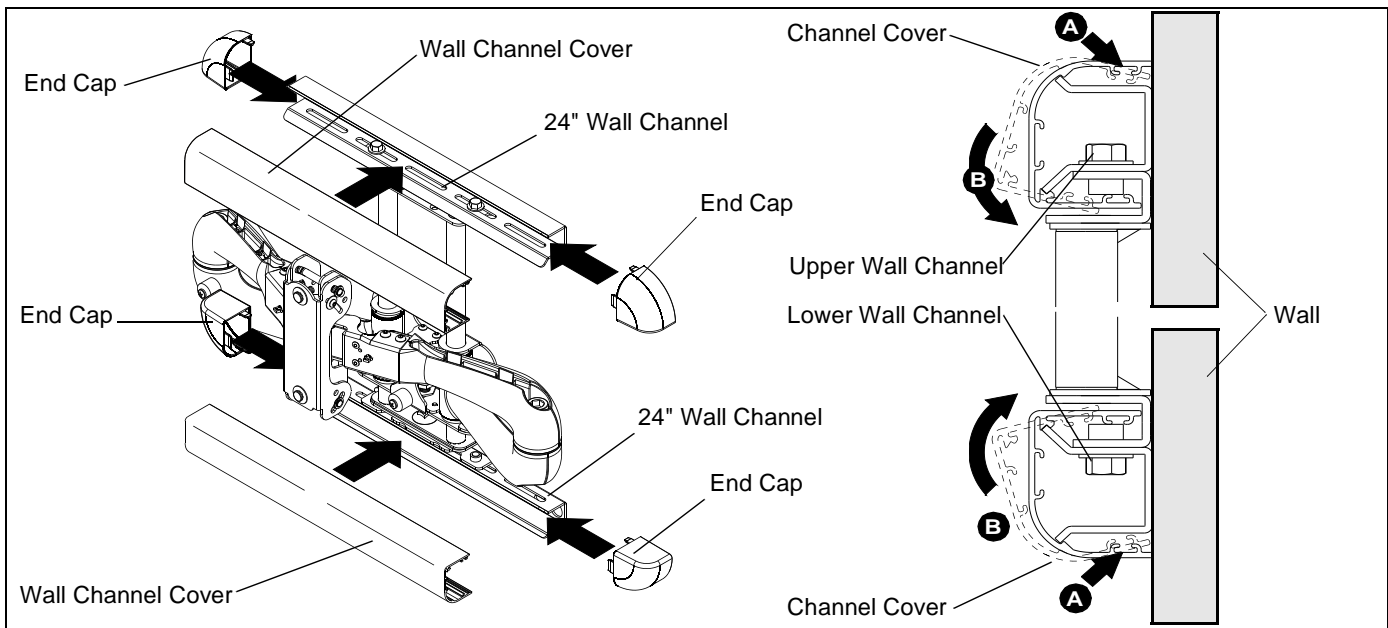


Figure 5: Install 24" Uppert and Lower Wall Channel Covers