

ESF686



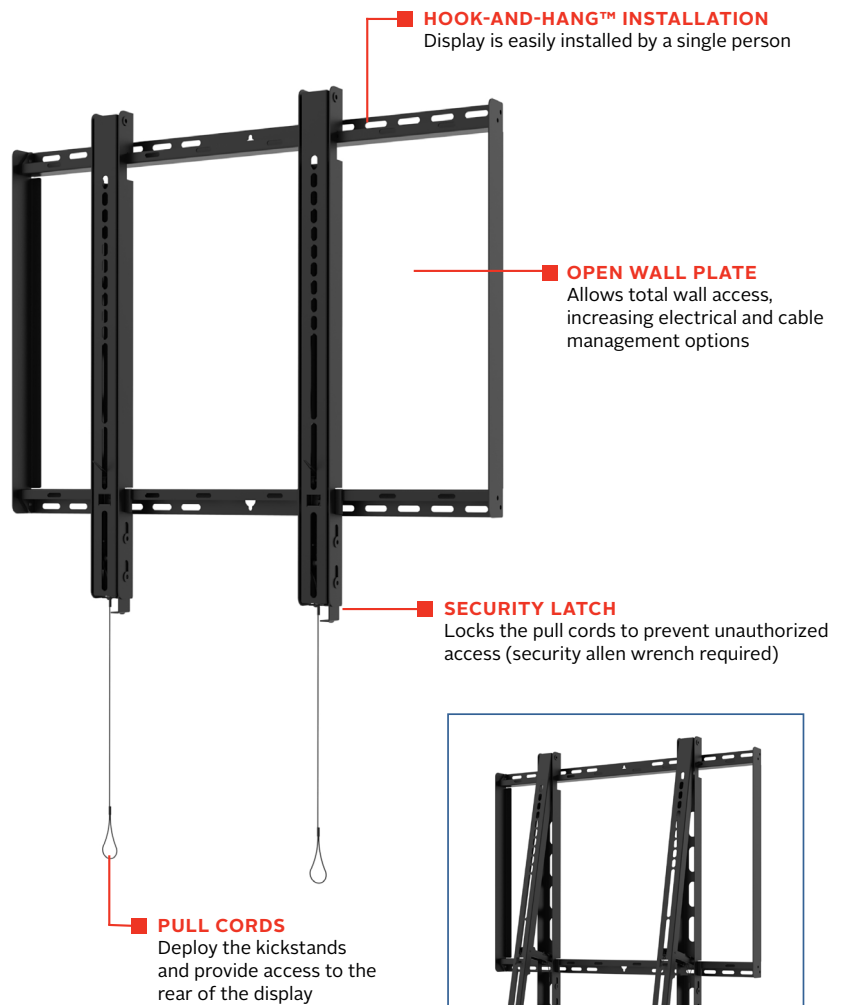
	Mounting Pattern 700 x 610mm (27.6" x 24.0")		Max Load 200lb (91kg)
--	---	--	------------------------------------

Outdoor Flat Wall Mount

FOR 65" TO 86" OUTDOOR TVS AND DISPLAYS

Designed exclusively for outdoor TVs and displays, the Peerless-AV® Outdoor Flat Wall Mount combines versatility, simplicity, and stability. Made of heavy gauge steel, with a corrosion resistant coating and stainless steel hardware, this outdoor mount is constructed from weatherproof materials. The mount includes pull cords and kickstands to ease installation and serviceability. The pull cord functionality is locked with security screws so only those with the proper tool can gain access to the display. Pull cords can easily be hidden behind the display with the integrated hooks. With a wind rating up to 90mph and included theft-resistant mounting hardware, this mount is ideal for patios, bars, entryways, walkways and more in any professional application - from restaurants, stadiums, retail and beyond.

- Universal mounting pattern: 27.6"W x 24.0"H (700 x 610mm) VESA® up to 700 x 600mm
- Designed specifically for outdoor use and constructed from weatherproof materials
- Up to 7.4" (189mm) of horizontal positioning
- Hinged adaptors ease installation of hardware to the rear of the display
- Included with the XHB652 and UV862
- Mount the UV862 in landscape orientation, or the XHB652 either landscape or portrait orientation



Shown with Kickstands Deployed



Please visit peerless-av.com/en-us/patents for patent information.

ESF686 Outdoor Flat Wall Mount for 65" to 86" Outdoor TVs and Displays

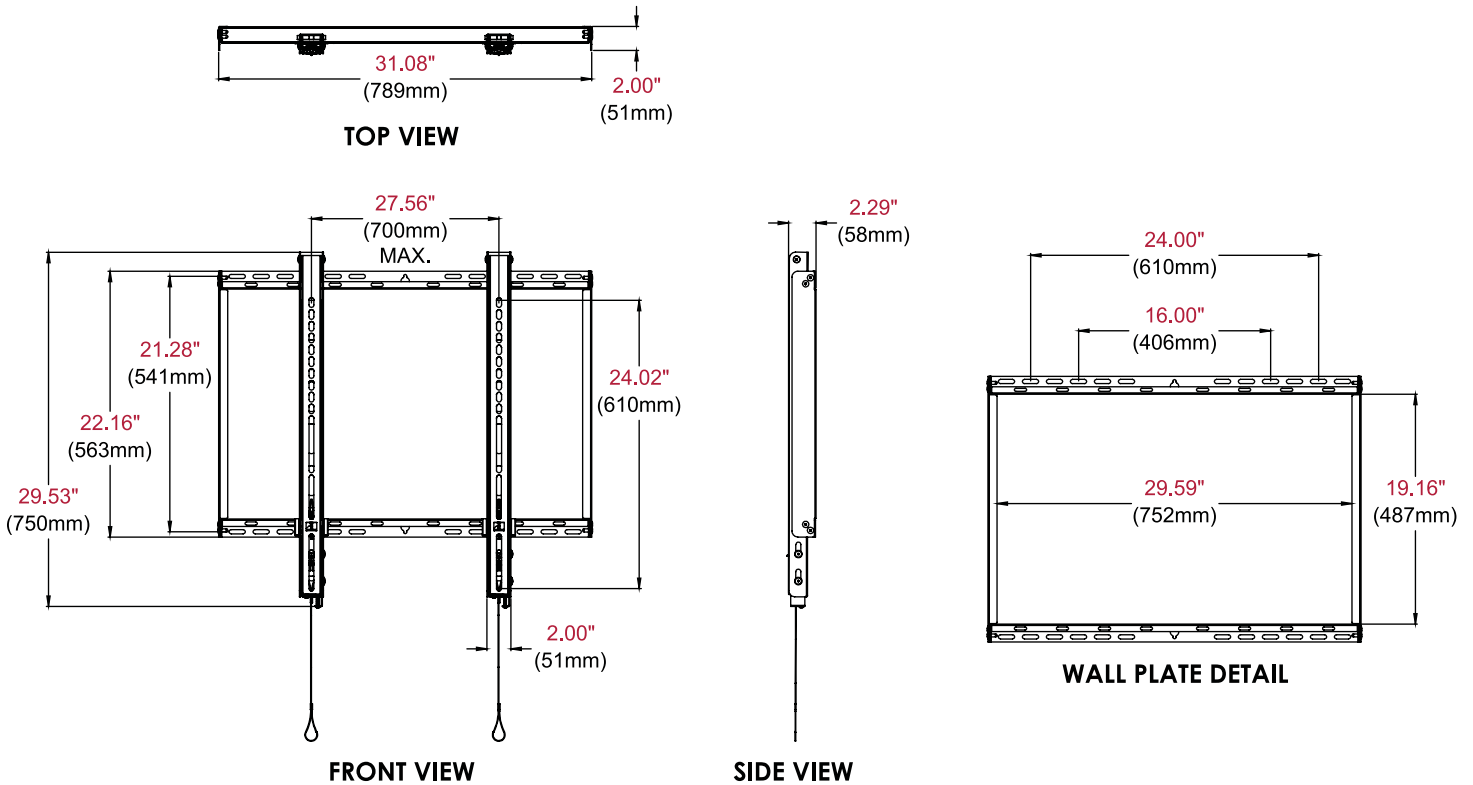
Product Specifications

	DIMENSIONS (W x H x D)	PRODUCT WEIGHT	LOAD CAPACITY	FINISH	AVAILABLE COLORS
ESF686	31.08" x 29.53" x 2.29" (789 x 750 x 58mm)	15.8lb (7.2kg)	200lb (90.7kg)	Outdoor Powder Paint	Black

Package Specifications

	PACKAGE SIZE (W x H x D)	PACKAGE SHIP WEIGHT	PACKAGE UPC CODE	PACKAGE CONTENTS	UNITS IN PACKAGE
ESF686	36.00" x 24.00" x 4.00" (914 x 610 x 102mm)	21.6lb (9.8kg)	735029337720	Mount, Hardware, Security Fasteners	1

All dimensions = inch (mm)



Architect Specifications

The Outdoor Flat Wall Mount shall be a Peerless-AV model ESF686 and shall be located where indicated on the plans. Assembly and installation shall be done according to instructions provided by the manufacturer.

Visit peerless-av.com to see the complete line of AV solutions from Peerless-AV, including outdoor displays, kiosks, digital audio, display mounts, projector mounts, carts/stands, and a full assortment of accessories.

Peerless-AV
 2300 White Oak Circle
 Aurora, IL 60502 USA
(800) 865-2112
(630) 375-5100
Fax: (800) 359-6500

Peerless-AV EMEA
 Unit 3 Watford Interchange
 Colonial Way, Watford
 Herts, WD24 4WP
 United Kingdom
+44 (0) 1923 200100
Fax: +44 (0) 1923 200101

Peerless-AV Latin America
 Av. de las Industrias 413
 Parque Industrial Escobedo
 General Escobedo, N.L.,
 México, 66062
+52 (81) 8384-8300
Fax: +52 (81) 8384-8360

