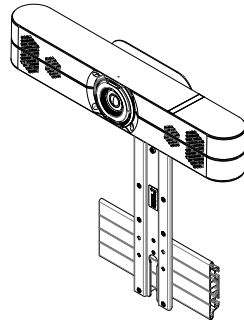
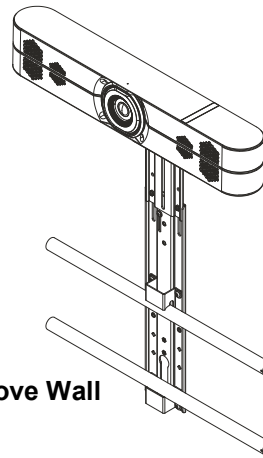


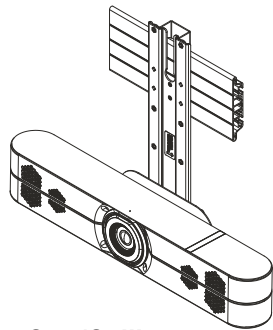
# INSTALLATION INSTRUCTIONS



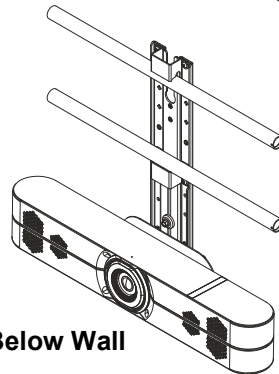
Above Cart/Ceiling



Above Wall



Below Cart/Ceiling



Below Wall

## Fusion™ Above/Below HuddleSHOT™ Shelf



A brand of  legrand®

# FCA800HS

## DISCLAIMER

Legrand | AV and its affiliated corporations and subsidiaries (collectively "Legrand | AV"), intend to make this manual accurate and complete. However, Legrand | AV makes no claim that the information contained herein covers all details, conditions or variations, nor does it provide for every possible contingency in connection with the installation or use of this product. The information contained in this document is subject to change without notice or obligation of any kind. Legrand | AV makes no representation of warranty, expressed or implied, regarding the information contained herein. Legrand | AV assumes no responsibility for accuracy, completeness or sufficiency of the information contained in this document.

Chief® is a registered trademark of Legrand AV Inc.

## DEFINITIONS

**WARNING:** A WARNING alerts you to the possibility of serious injury or death if you do not follow the instructions.

**CAUTION:** A CAUTION alerts you to the possibility of damage or destruction of equipment if you do not follow the corresponding instructions.

**MOUNTING SYSTEM:** A MOUNTING SYSTEM is the primary product designed to mount the projector or display.

**ACCESSORY:** An ACCESSORY is any product designed by Chief® to complement the primary mounting system either by mounting any supporting components or enhancing the mounting capabilities of the primary mounting system.

**COMPONENT:** A COMPONENT is any secondary product designed to be used with the accessory, i.e. speakers, CPU's, cameras, tablets, additional displays.

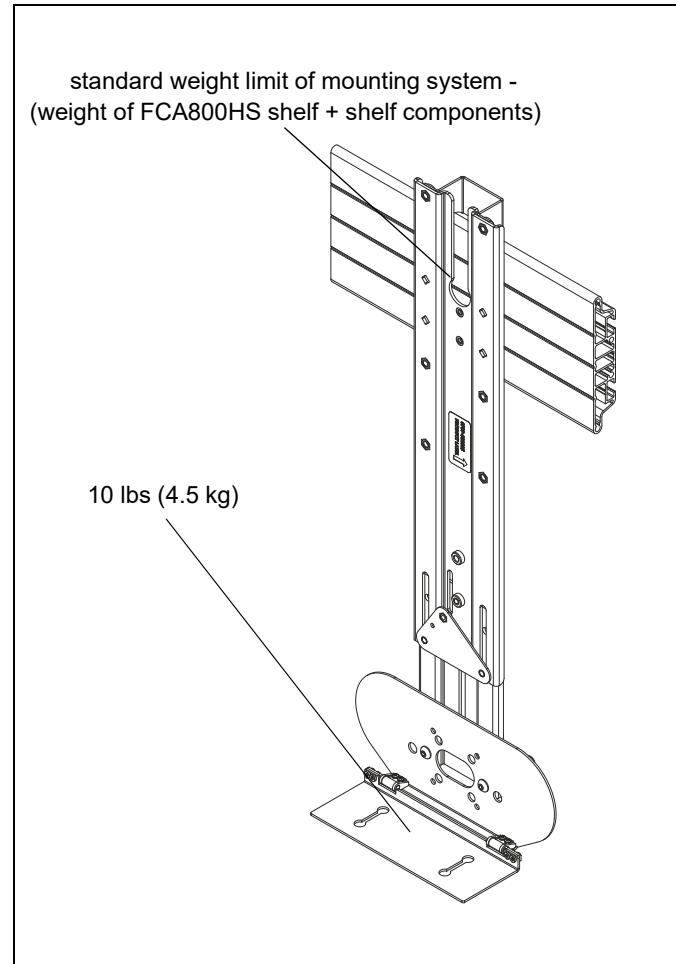
## ! IMPORTANT SAFETY INSTRUCTIONS

**! WARNING:** Failure to read, thoroughly understand, and follow all instructions can result in serious personal injury, damage to equipment, or voiding of factory warranty! It is the installer's responsibility to make sure all components are properly assembled and installed using the instructions provided.

**! WARNING:** Exceeding the weight capacity can result in serious personal injury or damage to equipment! It is the installer's responsibility to make sure the weight mounted to the FCA800HS shelf does not exceed 10 lbs (4.5 kg).



**WARNING:** Use of this accessory will decrease the weight capacity of the mounting system to which it is attached by the combined weight of the accessory and all components supported by this accessory! See Figure below for reference.



**WARNING:** Use this accessory only for its intended use as described in these instructions. Do not use attachments not recommended by the manufacturer.



**WARNING:** Never operate this accessory if it is damaged. Return the accessory to a service center for examination and repair.



**WARNING:** Do not use this product outdoors.

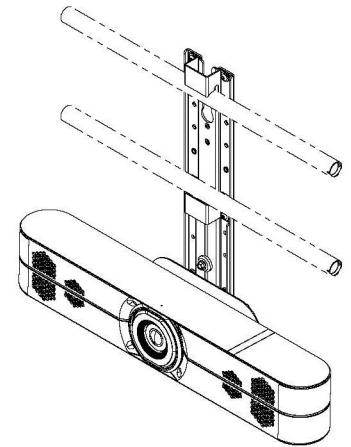
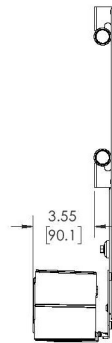
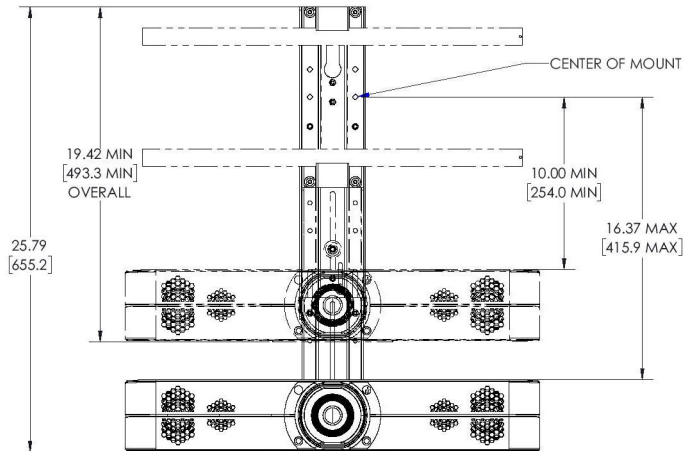


**WARNING:** RISK OF INJURY TO PERSONS! Do not use this accessory to support video equipment such as televisions or computer monitors.

**--SAVE THESE INSTRUCTIONS--**

**DIMENSIONS - FCA800HS**

**FUSION WALL BELOW MOUNT SETUP**

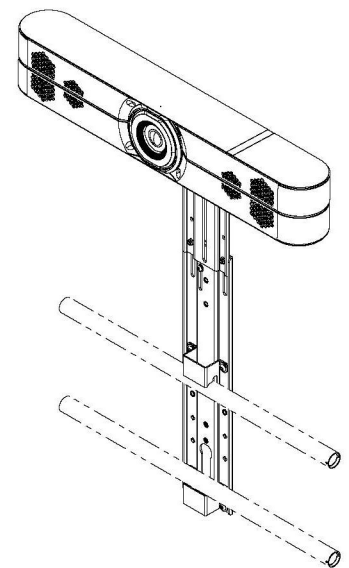
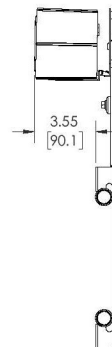
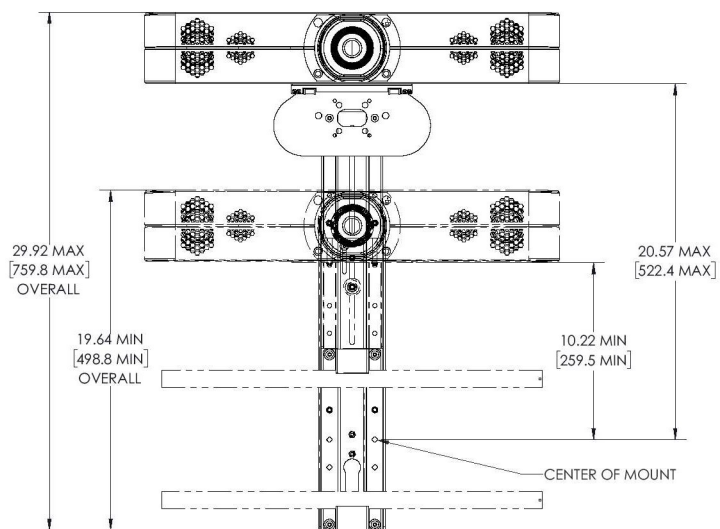


\*HUDDLESHOT SHOWN FOR ILLUSTRATIVE PURPOSES

(\*NOTES:

- TYPICAL FUSION INTERFACES ARE 0.5" [12.7] DEEP

**FUSION WALL ABOVE MOUNT SETUP**



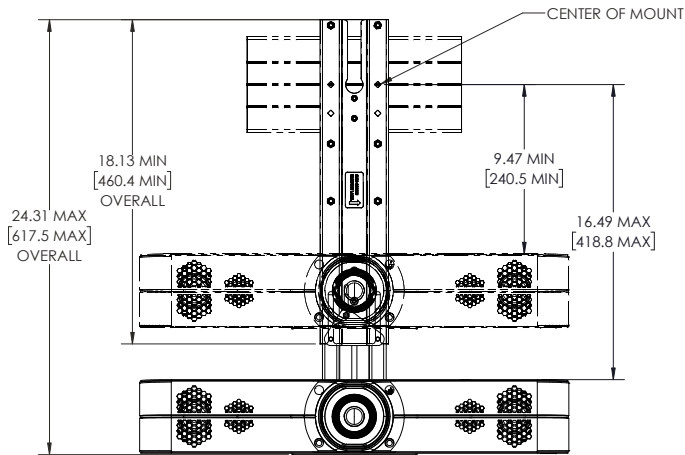
\*HUDDLESHOT SHOWN FOR ILLUSTRATIVE PURPOSES

(\*NOTES:

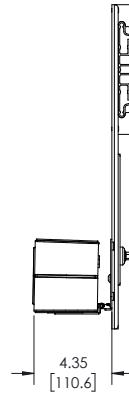
- TYPICAL FUSION INTERFACES ARE 0.5" [12.7] DEEP

**DIMENSIONS - FCA800 (CONTINUED)**

**FUSION CEILING/CART BELOW MOUNT SETUP**

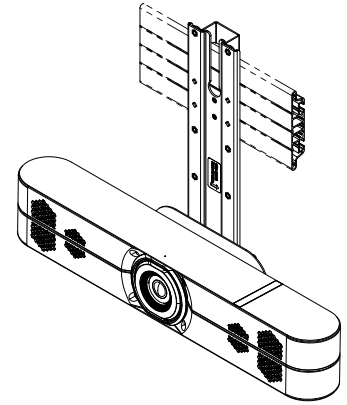


\*HUDDLESHOT SHOWN FOR ILLUSTRATIVE PURPOSES

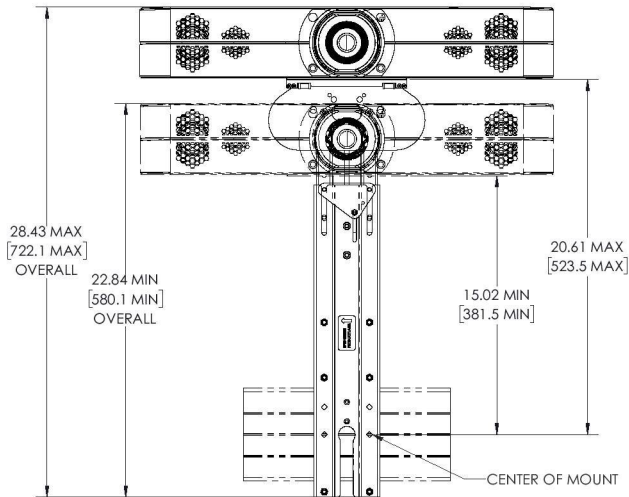


(\* )NOTES:

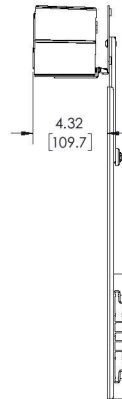
- TYPICAL SINGLE DISPLAY MODELS HAVE INTERFACE DEPTHS .5" [12.7]
- TYPICAL DUAL DISPLAY MODELS HAVE INTERFACE DEPTHS 1.9" [48.3]
- FCA623 DUAL MONITOR INTERFACES ARE 1.4" DEEP [35.6]



**FUSION CEILING/CART ABOVE MOUNT SETUP**

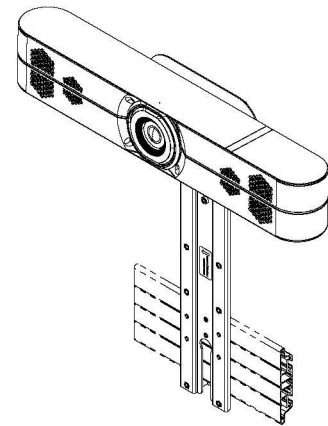


\*HUDDLESHOT SHOWN FOR ILLUSTRATIVE PURPOSES

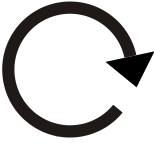

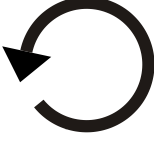
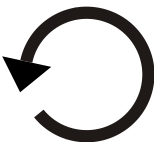



(\* )NOTES:

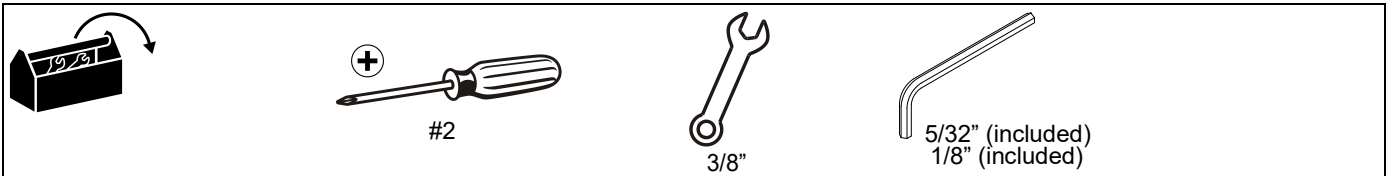
- TYPICAL SINGLE DISPLAY MODELS HAVE INTERFACE DEPTHS .5" [12.7]
- TYPICAL DUAL DISPLAY MODELS HAVE INTERFACE DEPTHS 1.9" [48.3]
- FCA623 DUAL MONITOR INTERFACES ARE 1.4" DEEP [35.6]



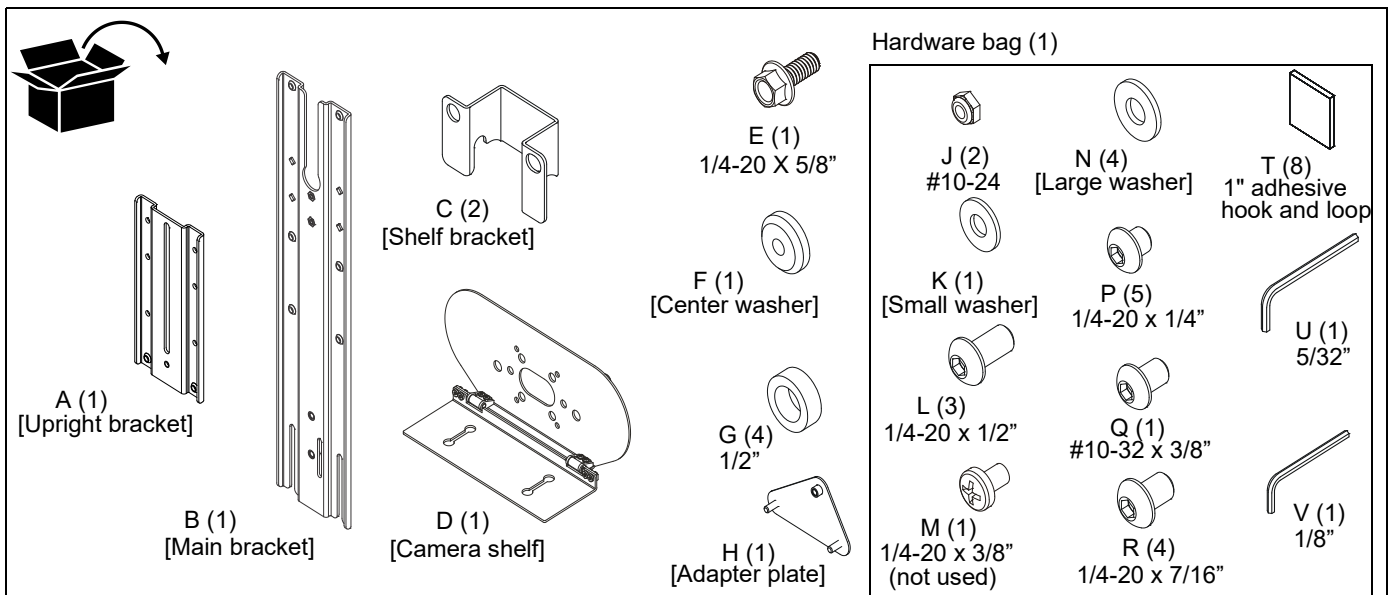
**LEGEND**

	<b>Tighten Fastener</b>		<b>Phillips Screwdriver</b>
	Apretar elemento de fijación		Destornillador Phillips
	Befestigungsteil festziehen		Kreuzschlitzschraubendreher
	Apertar fixador		Chave de fendas Phillips
	Serrare il fissaggio		Cacciavite a stella
	Bevestiging vastdraaien		Kruiskopschroevendraaier
Serrez les fixations	Tournevis à pointe cruciforme		
	<b>Loosen Fastener</b>		<b>Open-Ended Wrench</b>
	Aflojar elemento de fijación		Llave de boca
	Befestigungsteil lösen		Gabelschlüssel
	Desapertar fixador		Chave de bocas
	Allentare il fissaggio		Chiave a punte aperte
	Bevestiging losdraaien		Steeksleutel
Desserrez les fixations	Clé à fourche		
	<b>Hex-Head Wrench</b>		
	Llave de cabeza hexagonal		
	Sechskantschlüssel		
	Chave de cabeça sextavada		
	Chiave esagonale		
	Zeskantsleutel		
Clé à tête hexagonale			

**TOOLS REQUIRED FOR INSTALLATION**



**PARTS**



## ASSEMBLY AND INSTALLATION

### Assembling Shelf to Upright Bracket

1. Attach shelf (D) to upright bracket (A) using two 1/4-20 x 1/2" button head machine screws (L). (See Figure ) or (See Figure 2)

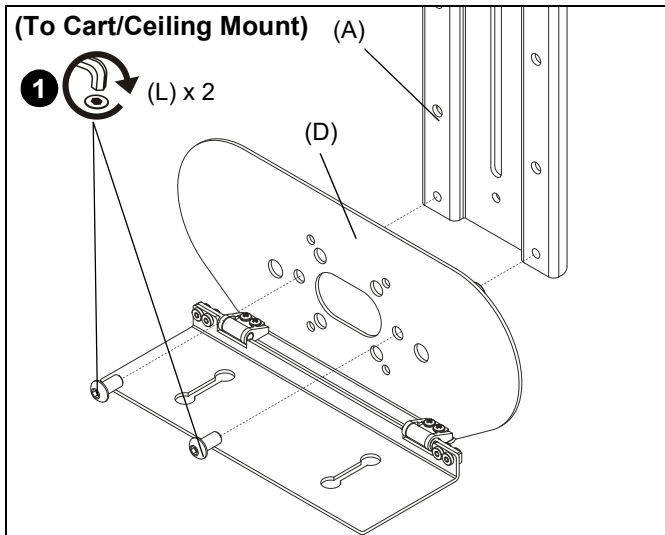


Figure 1

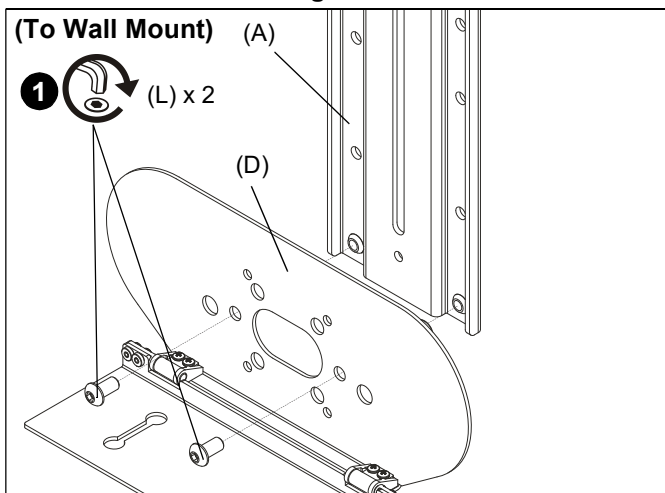


Figure 2

### Below Installation

**NOTE:** FCA800HS shelves may be installed above or below displays. To install above display, proceed to "Above Installation" Section.

### Attaching Shelf to Wall Mount

**NOTE:** If attaching to cart or ceiling mount, proceed to **Attach Shelf to Cart/Ceiling Section**.

1. Use two 1/4-20 x 1/4" button head cap screws (P) and two large washers (N) to secure shelf bracket (C) to main bracket (B). (See Figure 3)



**CAUTION:** Slide bracket with caution so that the bracket does not scratch or damage the wall!

2. Slide main bracket (B) behind wall mount rails until shelf bracket (C) rests on top of wall mount rail. (See Figure 3)

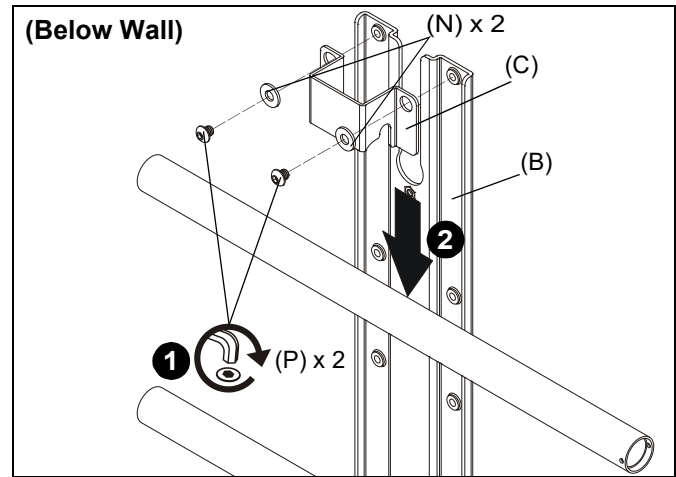


Figure 3

3. Slide second shelf bracket (C) underneath lower rail on wall mount, lining up holes on shelf bracket (C) to main bracket (B). (See Figure 4)
4. Use two 1/4-20 x 1/4" button head cap screws (P) and two large washers (N) to secure shelf bracket (C) to main bracket (B). (See Figure 4)

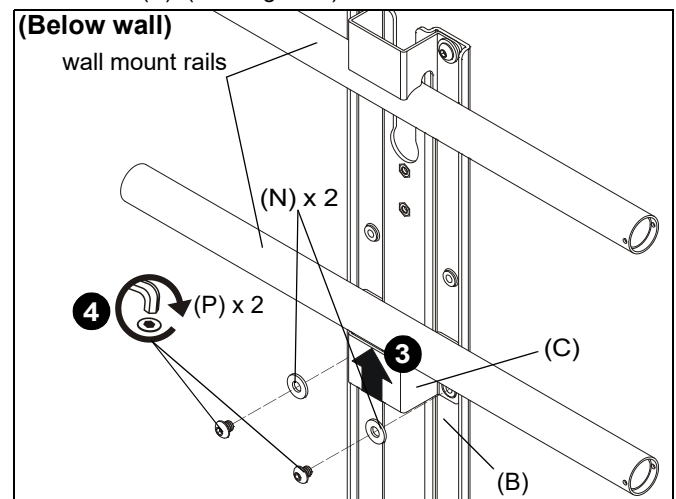


Figure 4

**NOTE:** Refer to Table 1 and dimension drawings on pages 3-4 to determine the extension level based on extension distance from mount center.

Table 1: Below Wall Mount

Extension distance from center of mount (in.)	
10.0-12.3	Minimum
12.3-14.8	Intermediate
14.8-16.3	Maximum

5. (For **maximum extension**) Use #10-32 x 3/8" button head cap screw (Q) and small washer (K) to secure adapter plate (A) to main bracket (B). (See Figure 5)
6. (For **maximum extension**) Use two #10-24 lock nuts (J) to secure upright bracket (A) to main bracket (B) and adapter plate (H). (See Figure 5)

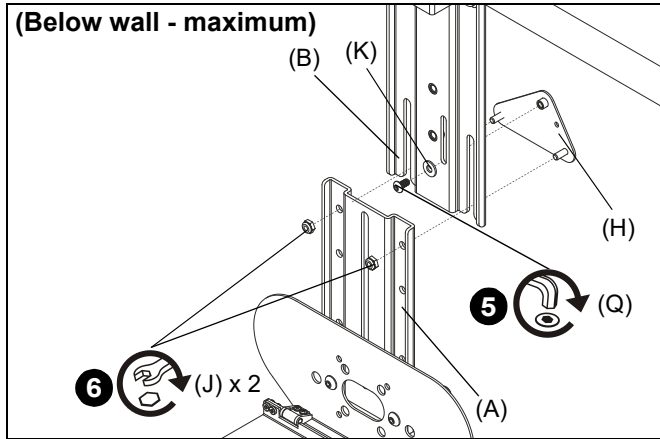


Figure 5

7. (For **minimum/intermediate extension**) Use two #10-24 lock nuts (J) to secure upright bracket (A) to main bracket (B) and adapter plate (H). (See Figure 6)

**NOTE:** Minimum configuration is shown below. Several intermediate configurations are possible depending on which holes are used.

**NOTE:** Camera shelf (D) may need to be temporarily removed in order to attach lock nuts (J) for minimum extension.

8. (For **minimum/intermediate extension**) Use 1/4-20 x 5/8" hex head flange bolt (E) and center washer (F) to secure upright bracket (A) to main bracket (B). (See Figure 6)

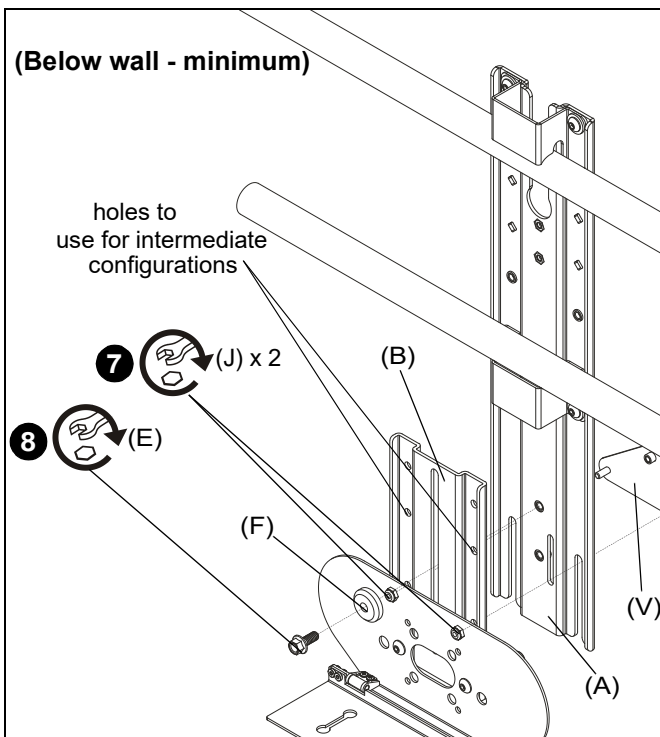


Figure 6

### Attaching Shelf to Cart/Ceiling Mount

**IMPORTANT ! :** If installing to a 2x1 display cart using the FCA623 accessory, proceed to "Installing to FCA623 Accessory" Section (Step 6).

1. Use two 1/4-20 x 1/4" button head cap screws (P) and two large washers (N) to secure shelf bracket (C) to main bracket (B). (See Figure 7)
2. Slide main bracket (B) onto front of cart/ceiling mount head assembly until shelf bracket (C) rests on top of head assembly. (See Figure 7)

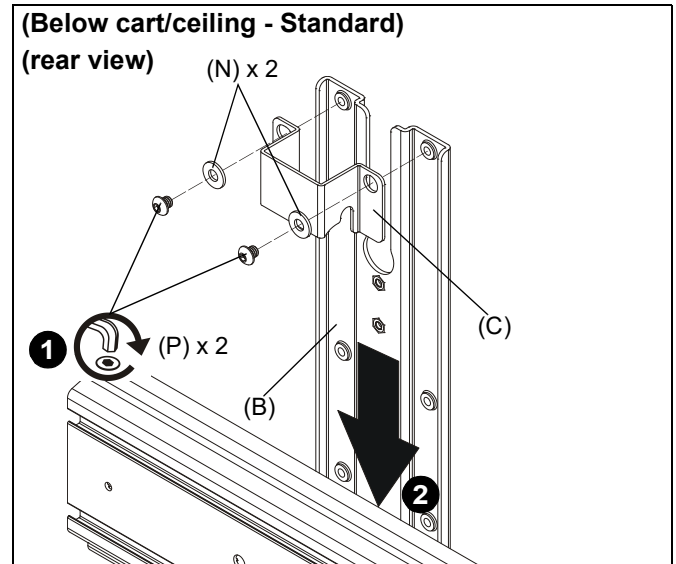


Figure 7

3. Slide second shelf bracket (C) underneath head assembly, lining up holes on shelf bracket (C) to holes on main bracket (B). (See Figure 8)
4. Use two 1/4-20 x 1/4" button head cap screws (P) and two large washers (N) to secure shelf bracket (C) to main bracket (B). (See Figure 8)

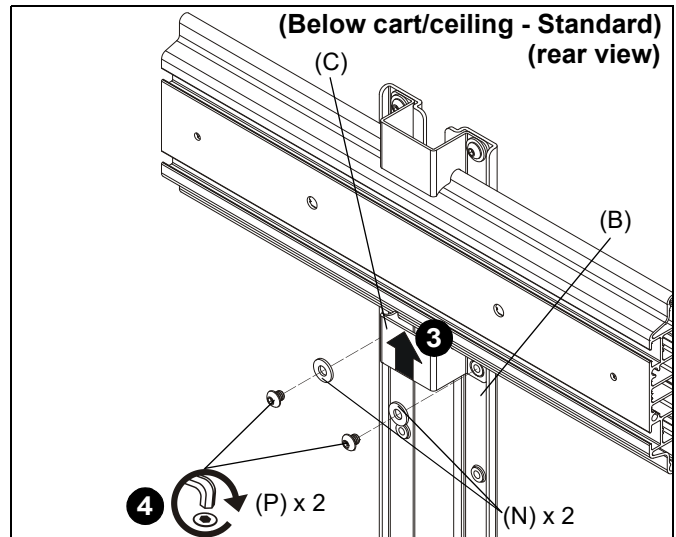


Figure 8

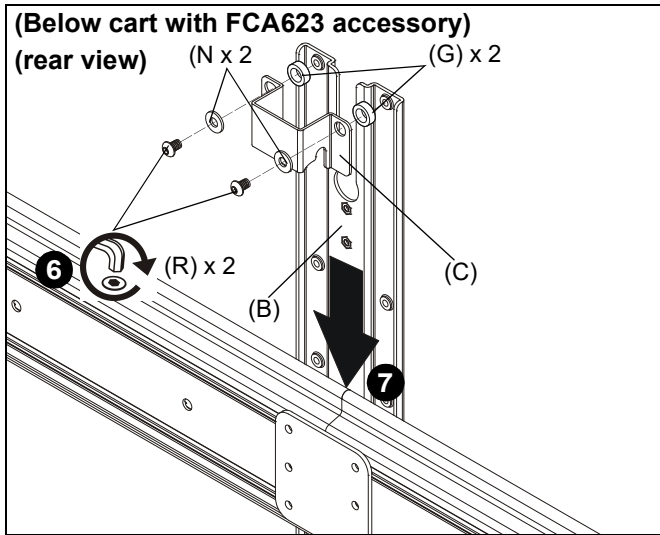
5. Proceed to Step 11.



**Installing to FCA623 Accessory**

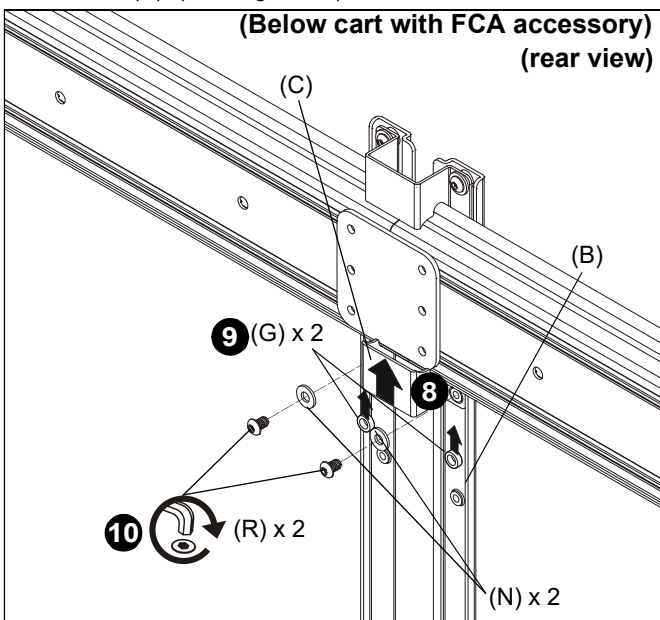
**IMPORTANT !** : Steps 6-10 only apply if installing to FCA623 accessory.

6. Use two 1/4-20 x 7/16" button head cap screws (R), two large washers (N) and two 1/2" spacers (G) to secure shelf bracket (C) to main bracket (B). (See Figure 9)
7. Slide main bracket (B) onto front of cart/ceiling mount head assembly until shelf bracket (C) rests on top of head assembly. (See Figure 9)



**Figure 9**

8. Slide second shelf bracket (C) underneath head assembly, lining up holes on shelf bracket (C) to holes on main bracket (B). (See Figure 10)
9. Slide two 1/2" spacers (G) in between shelf bracket (C) and main bracket (B). (See Figure 10)
10. Use two 1/4-20 x 7/16" button head cap screws (R) and two large washers (N) to secure shelf bracket (C) to main bracket (B). (See Figure 10)



**Figure 10**

**NOTE:** Refer to Table 2 and dimension drawings on pages 3-4 to determine the extension level based on extension distance from mount center.

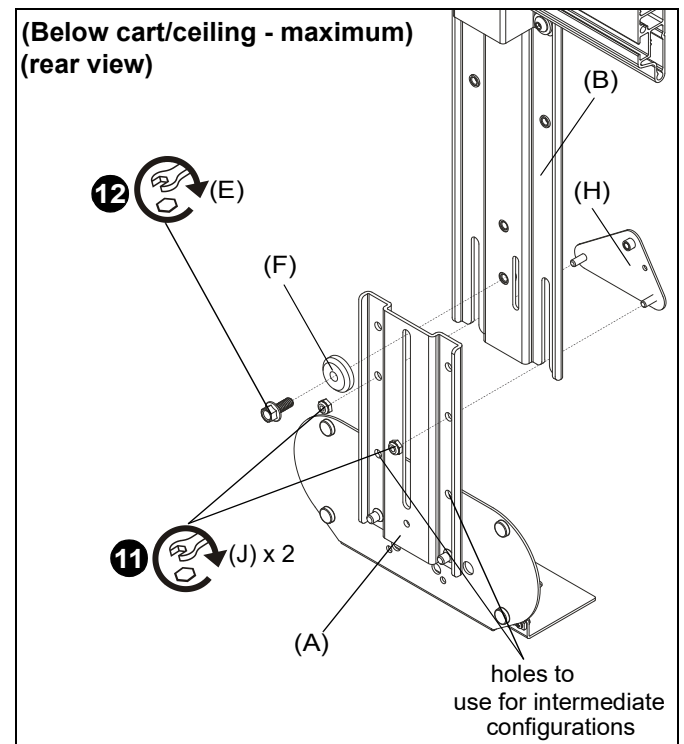
**Table 2: Below Cart/Ceiling Mount**

Extension distance from center of mount (in.)	
9.4-11.3	Minimum
11.3-13.9	Intermediate
13.9-16.5	Maximum

11. (For **maximum/intermediate extension**) Use two #10-24 lock nuts (J) to secure upright bracket (A) to main bracket (B) and adapter plate (H). (See Figure 11)

**NOTE:** Maximum configuration is shown below. Several intermediate configurations are possible depending on which holes are used.

12. (For **maximum/intermediate extension**) Use 1/4-20 x 5/8" hex head flange bolt (E) and center washer (F) to secure upright bracket (A) to main bracket (B). (See Figure 11)



**Figure 11**



13. (For **minimum extension**) Slide upright bracket behind main bracket. (See Figure 12)
14. (For **minimum extension**) Use 1/4-20 x 5/8" hex head flange bolt (N) and center washer (F) to secure upright bracket (A) to main bracket (B). (See Figure 12)

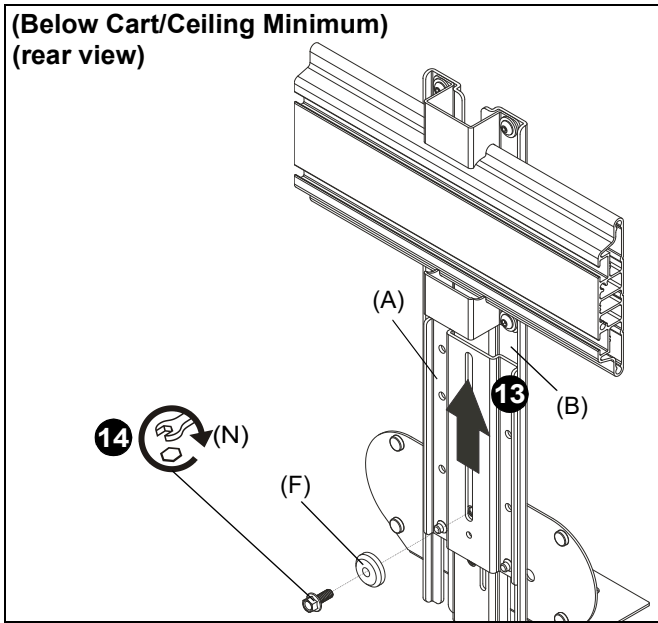


Figure 12

**Above Installation**

**Attaching Shelf to Wall Mount**

1. Use two 1/4-20 x 1/4" button head cap screws (P) and two large washers (N) to secure shelf bracket (C) to main bracket (B). (See Figure 13)



**CAUTION:** Slide bracket with caution so that the bracket does not scratch or damage the wall!

2. Slide main bracket (B) behind wall mount rails until shelf bracket (C) rests on top wall mount rail. (See Figure 13)

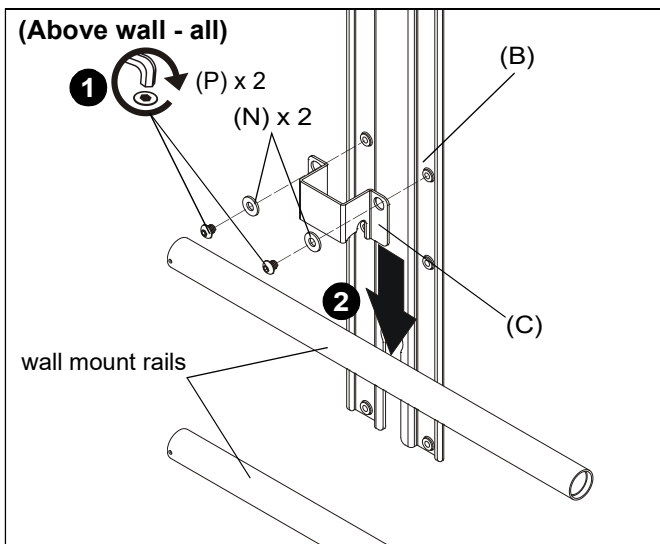


Figure 13

3. Slide second shelf bracket (C) underneath lower rail on wall mount, lining up holes on shelf bracket (C) to holes on main bracket (B). (See Figure 14)
4. Use two 1/4-20 x 1/4" button head cap screws (P) and two large washers (N) to secure shelf bracket (C) to main bracket (B). (See Figure 14)

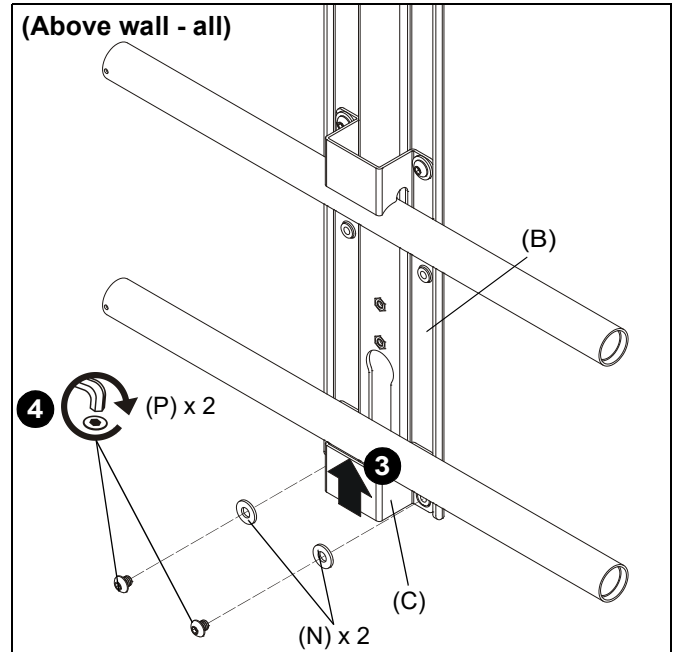


Figure 14

**NOTE:** Refer to Table 3 and dimension drawings on pages 3-4 to determine the extension level based on extension distance from mount center.

Table 3: Above Wall Mount

Extension distance from center of mount (in.)	
10.2-12.6	Minimum
12.6-19.1	Intermediate
19.1-20.6	Maximum

- (For **maximum extension**) Use #10-32 x 3/8" button head cap screw (Q) and small washer (K) to secure adapter plate (H) to main bracket (B). (See Figure 15)
- (For **maximum extension**) Use two #10-24 lock nuts (J) to secure upright bracket (A) to main bracket (B) and adapter plate (H). (See Figure 15)

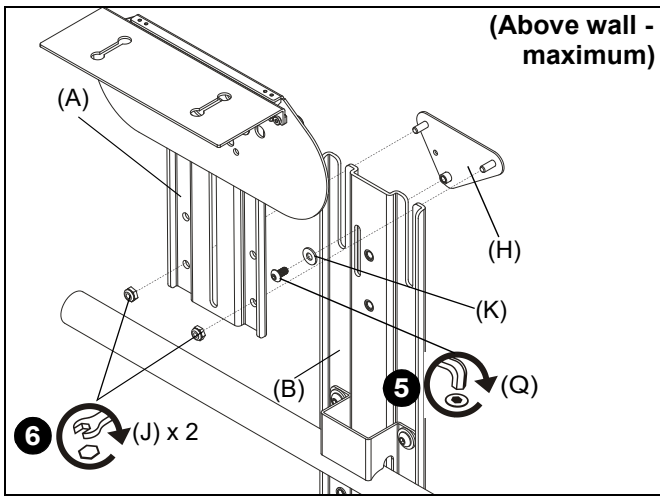


Figure 15

- (For **minimum/intermediate extension**) Use two #10-24 lock nuts (J) to secure upright bracket (A) to main bracket (B) and adapter plate (H). (See Figure 16)
- (For **minimum/intermediate extension**) Use 1/4-20 x 5/8" hex head flange bolt (E) and center washer (F) to secure upright bracket (A) to main bracket (B). (See Figure 16)

**NOTE:** Minimum configuration is shown below. Several intermediate configurations are possible depending on which holes are used.

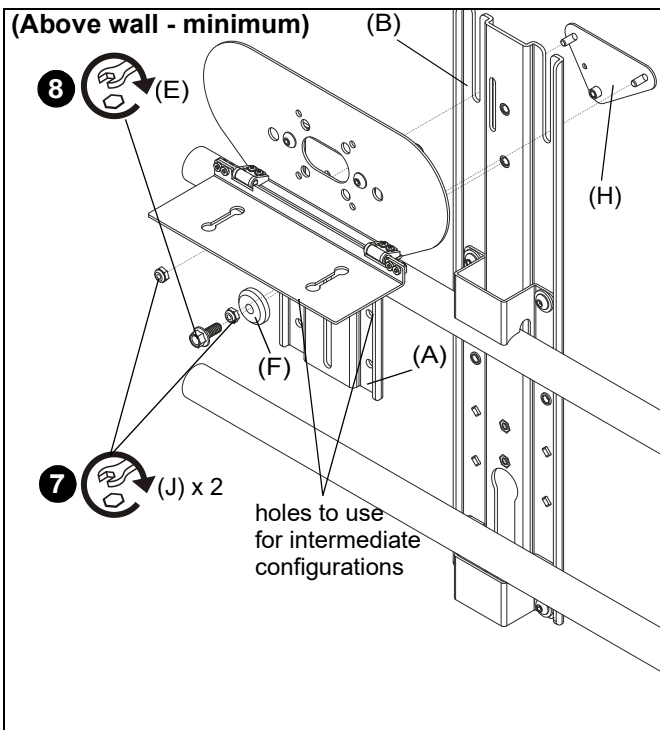


Figure 16

**Attaching Shelf to Cart/Ceiling Mount**

**IMPORTANT !** : If installing to a 2x1 display cart using the FCA623 accessory, proceed to "Installing to FCA623 Accessory" Section (Step 6).

- Use two 1/4-20 x 1/4" button head cap screws (P) and two large washers (N) to secure shelf bracket (C) to main bracket (B). (See Figure 17)
- Slide main bracket (B) onto front of cart/ceiling mount head assembly until shelf bracket (C) rests on top of head assembly. (See Figure 17)

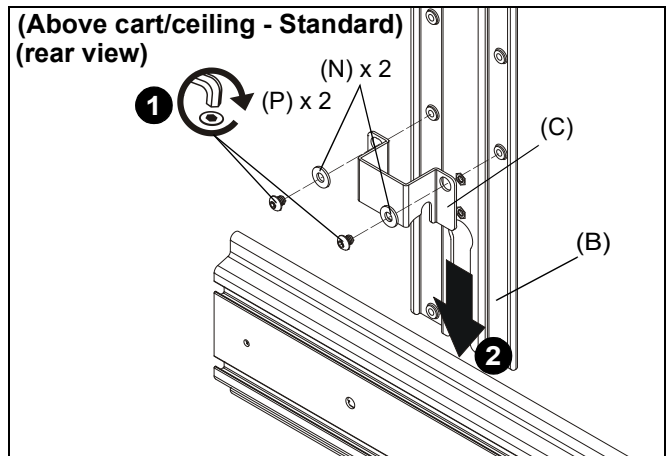


Figure 17

- Slide second shelf bracket (C) underneath head assembly, lining up holes on shelf bracket (C) to holes on main bracket (B). (See Figure 18)
- Use two 1/4-20 x 1/4" button head cap screws (P) and two large washers (N) to secure shelf bracket (C) to main bracket (B). (See Figure 18)

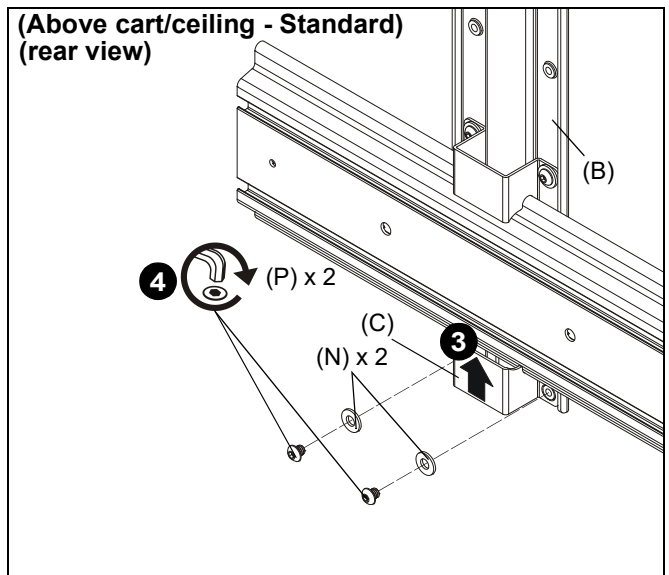


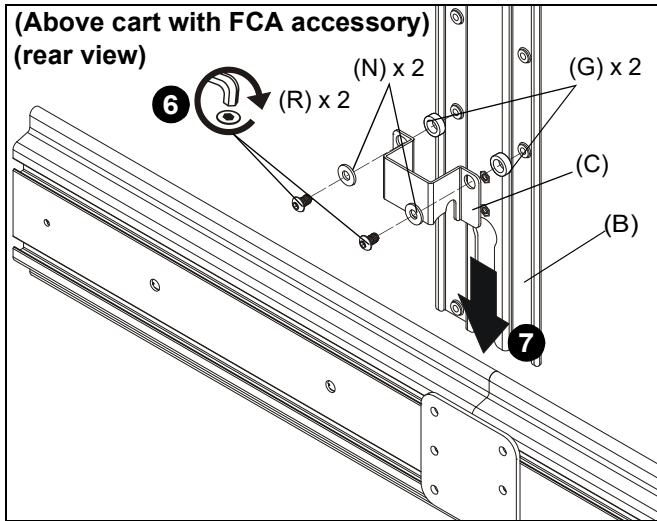
Figure 18

- Proceed to Step 11.

**Installing to FCA623 Accessory**

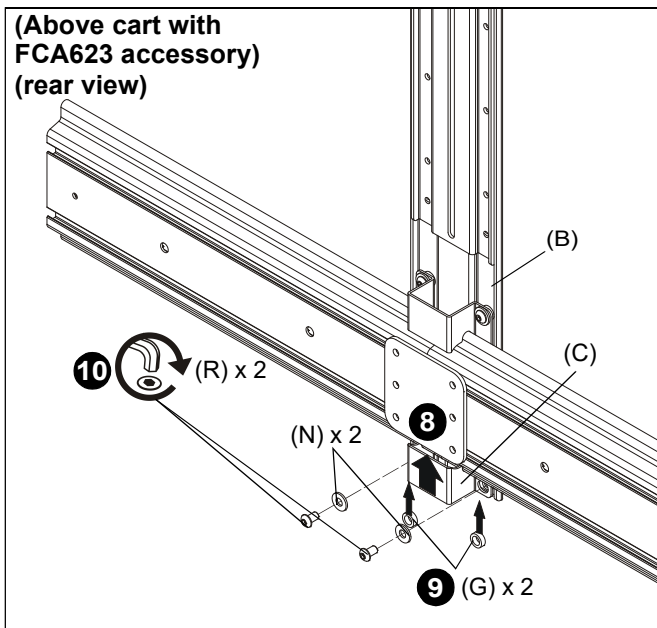
**NOTE:** Steps 6-10 only apply if installing to FCA623 accessory.

6. Use two 1/4-20 x 7/16" button head cap screws (R), two large washers (N) and two 1/2" spacers (G) to secure shelf bracket (C) to main bracket (B). (See Figure 19)
7. Slide main bracket (B) onto front of cart mount head assembly until shelf bracket (C) rests on top of head assembly. (See Figure 19)



**Figure 19**

8. Slide second shelf bracket (C) underneath head assembly, lining up holes on shelf bracket (C) to holes on main bracket (B). (See Figure 20)
9. Slide two 1/2" spacers (G) in between shelf bracket (C) and main bracket (B). (See Figure 20)
10. Use two 1/4-20 x 1/2" button head cap screws (R) and two large washers (N) to secure shelf bracket (C) to main bracket (B). (See Figure 20)



**Figure 20**

**NOTE:** Refer to Table 4 and dimension drawings on pages 3-4 to determine the extension level based on extension distance from mount center.

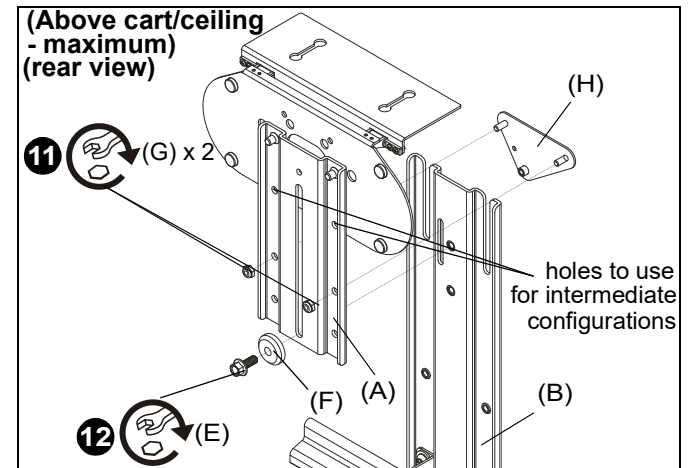
**Table 4: Above Cart/Ceiling**

Extension distance from center of mount (in.)	
15	Minimum
15.1-17.9	Intermediate
17.9-20.6	Maximum

11. (For **maximum/intermediate extension**) Use two #10-24 lock nuts (J) to secure upright bracket (A) to main bracket (B) and adapter plate (H). (See Figure 21)

**NOTE:** Maximum configuration is shown below. Several intermediate configurations are possible depending on which holes are used.

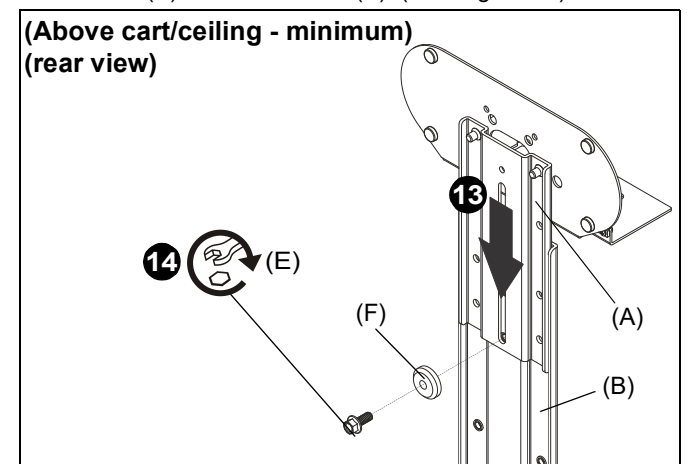
12. (For **maximum/intermediate extension**) Use 1/4-20 x 5/8" hex head flange bolt (E) and center washer (F) to secure upright bracket (A) to main bracket (B). (See Figure 21)



**Figure 21**

13. (For **minimum extension**) Slide upright bracket (A) behind main bracket (B). (See Figure 22)

14. (For **minimum extension**) Use 1/4-20 x 5/8" hex head flange bolt (E) and center washer (F) to secure upright bracket (A) to main bracket (B). (See Figure 22)



**Figure 22**

## Height Adjustment

1. Loosen hardware used to attach main bracket (B) to upright bracket (A). (See Figure 23)
2. Adjust shelf height as desired. (See Figure 23)

**NOTE:** For all above display installations, it is recommended that the shelf be positioned so that it rests on top of display to help ensure an even mount.

3. Tighten hardware used to attached main bracket (B) to upright bracket (A). (See Figure 23)

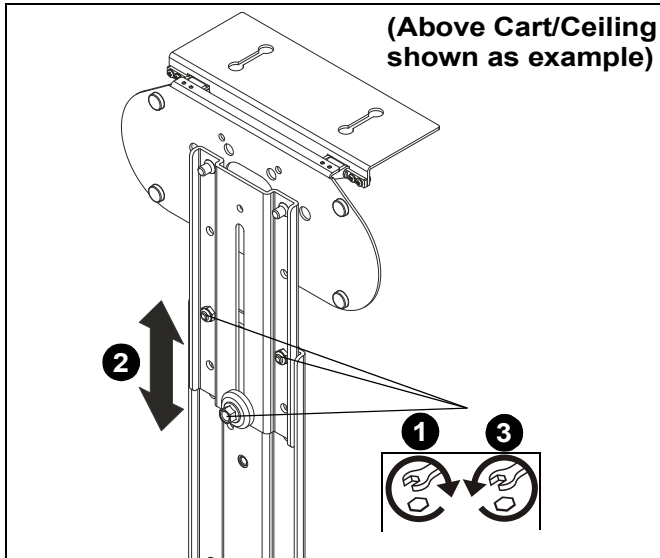


Figure 23

## Installing Camera (not included)



**WARNING:** Exceeding the weight capacity can result in serious personal injury or damage to equipment! It is the installer's responsibility to make sure the combined weight mounted on the FCA800HS does not exceed 10 lbs (4.5 kg).



**WARNING:** Camera must be secured to FCA800HS shelf using screws! Failure to securely mount camera to shelf may result in serious personal injury or damage to equipment!

1. Place HuddleSHOT™ camera onto shelf. (See Figure 24)
2. Use screws provided with camera and slots on shelf to secure camera to shelf. (See Figure 24)

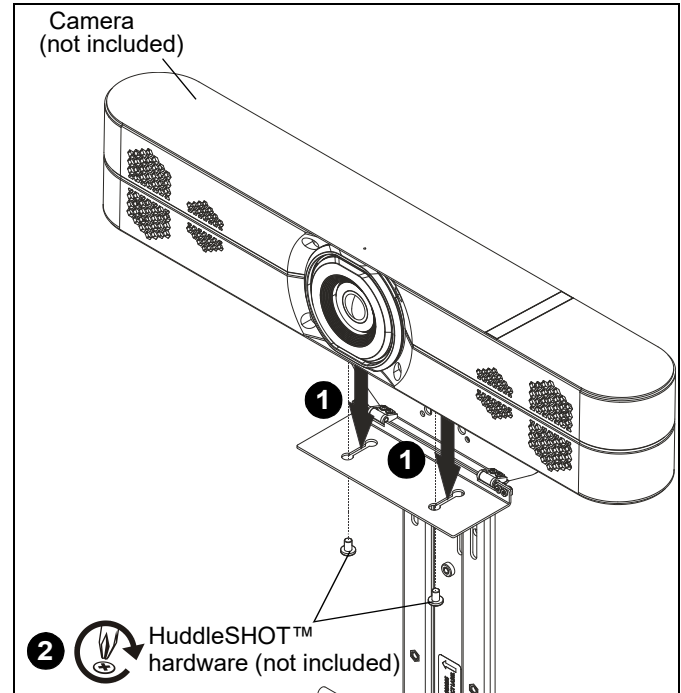


Figure 24











A brand of  **legrand**

8800-003198 Rev00  
©2020 Legrand | AV  
[www.legrandav.com](http://www.legrandav.com)  
02/20

<b>USA/International</b>	<b>A</b> 6436 City West Parkway, Eden Prairie, MN 55344 <b>P</b> 800.582.6480 / 952.225.6000 <b>F</b> 877.894.6918 / 952.894.6918
<b>Europe</b>	<b>A</b> Franklinstraat 14, 6003 DK Weert, Netherlands <b>P</b> +31 (0) 495 580 852 <b>F</b> +31 (0) 495 580 845
<b>Asia Pacific</b>	<b>A</b> Office No. 918 on 9/F, Shatin Galleria 18-24 Shan Mei Street Fotan, Shatin, Hong Kong <b>P</b> 852 2145 4099 <b>F</b> 852 2145 4477

