

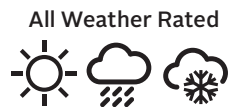
KOP2555(-S)-OHF-EUK



Smart City Kiosks

DESIGNED FOR 55" **SAMSUNG** OHF/OHA DISPLAYS

Replace static signage with Peerless-AV's award-winning Smart City Kiosk for greater public engagement and seamless updates of digital content whenever, wherever. With a focus on functionality and aesthetics, the Smart City Kiosk is designed to be modern, approachable, practical, and endure the rigors of everyday use. Installation is easy without the need for cranes or forklifts, and the locking rear door offers quick access to the display for maintenance. An optional 10-point IR touch overlay, for the display, makes the kiosk interactive for all users. Peerless-AV's all-weather rated Smart City Kiosk is ideal for sharing community information, travel, and weather details, as well as wayfinding, advertising, entertainment, and more.



Display's Operating Temperature Range:
-30°C to 50°C
(-22°F to 122°F)

- Supports Samsung 55" (OH55F & OH55A) displays to offer maximum flexibility
- Elegant, minimalistic design covers, protects and ventilates display and equipment
- No additional layer of glass needed between display and enclosure, reducing glare
- Wind tested up to 140 mph
- Easily add-on additional technology components for enhanced functionality, such as IR touch overlays, cameras, routers, antennas and more



OPTIONAL PLUG & PLAY 10-POINT IR TOUCH OVERLAY
Tested to IP56 standards to provide protection from water and dust, and works well with many input devices such as finger, glove or pointer

ULTRA SLIM DESIGN
Sleek and stylish, yet rugged enough to be installed in any application

MEDIA STORAGE AREA
Protects electronic components with filters and cooling fans

Kiosk: **RoHS**
2002/95/EC

KOP2555(-S)-OHF-EUK Smart City Kiosk, Designed for 55" Samsung OHF/OHA Display

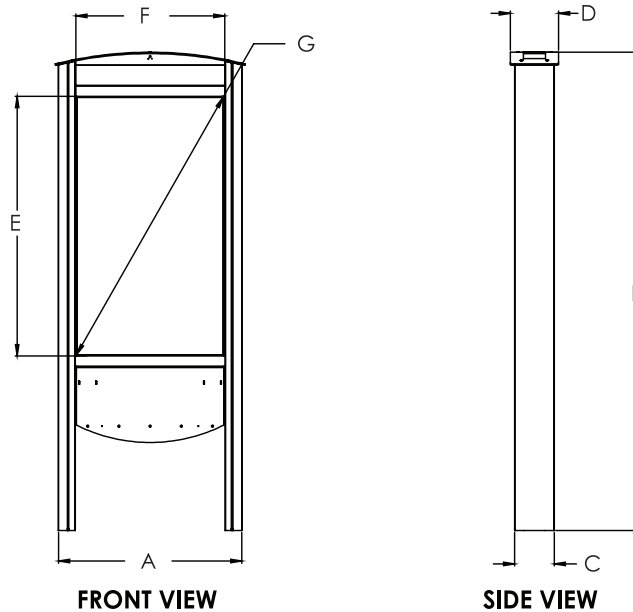
Product Specifications

	DIMENSIONS (W x H x D)	STORAGE SPACE (W x H x D)	PRODUCT WEIGHT	FINISH	AVAILABLE COLORS
KOP2555(-S)-OHF-EUK	35.38" x 82.34" x 8.50" (899 x 2091 x 216mm)	Top: 29.00" x 4.00" x 5.50" (736 x 101 x 139mm) Bottom: 29.00" x 9.00" x 5.25" (736 x 228 x 133mm)	176lb (80kg)	Smooth Powder Coat	Black or Silver

Package Specifications

	PACKAGE SIZE (W x H x D)	PACKAGE SHIP WEIGHT	PACKAGE UPC CODE	PACKAGE CONTENTS	UNITS IN PACKAGE
KOP2555(-S)-OHF-EUK	38.00" x 95.00" x 27.00" (965 x 2413 x 686mm)	192lb (87kg)	KOP2555-OHF-EUK: 735029325284 KOP2555-S-OHF-EUK: 735029325291	Kiosk, Mounting Hardware and Instructions	1

All dimensions = **inch** (mm)



MODEL NO.	DIMENSION "A"	DIMENSION "B"	DIMENSION "C"	DIMENSION "D"	DIMENSION "E"	DIMENSION "F"	DIMENSION "G"
KOP2555-OHF-EUK	35.38" (899mm)	82.34" (2091mm)	7.00" (178mm)	8.50" (216mm)	50.11" (1273mm)	29.06" (738mm)	55.00" (1397mm)

Architect Specifications

The Smart City Kiosk shall be a Peerless-AV® model KOP2555(-S)-OHF and shall be located where indicated on the plans. Assembly and installation shall be done according to instructions provided by the manufacturer.

Visit peerless-av.com to see the complete line of AV solutions from Peerless-AV, including outdoor displays, kiosks, display mounts, projector mounts, carts/stands, and a full assortment of accessories.

Peerless-AV
2300 White Oak Circle
Aurora, IL 60502 USA

(800) 865-2112
(630) 375-5100
Fax: (800) 359-6500

Peerless-AV EMEA
Unit 3 Watford Interchange
Colonial Way, Watford
Herts, WD24 4WP
United Kingdom
+44 (0) 1923 200100
Fax: +44 (0) 1923 200101

Peerless-AV Latin America
Av. de las Industrias 413
Parque Industrial Escobedo
General Escobedo, N.L.,
México, 66062
+52 (81) 8384-8300
Fax: +52 (81) 8384-8360

