

Access & Power Integration

Altronix/AMAG M4000 Kits

Models Include:

T2AGK3F8

8 Door Kit with Fused Outputs

Fully assembled kit includes:

- Trove2 enclosure with TAG2 Altronix/AMAG backplane
- One (1) eFlow6NB - Power Supply/Charger
- One (1) ACM8 - Fused Access Power Controller
- One (1) VR6 - Voltage Regulator
- One (1) PDS8 - Dual Input Fused Power Distribution Module

T2AGK7F12

12 Door Kit with Fused Outputs

Fully assembled kit includes:

- Trove2 enclosure with TAG2 Altronix/AMAG backplane
- One (1) eFlow104NB - Power Supply/Charger
- One (1) ACM8 - Fused Access Power Controller
- One (1) ACM4 - Fused Access Power Controller
- One (1) VR6 - Voltage Regulator
- One (1) PDS8 - Dual Input Fused Power Distribution Module

T2AGK75F12

12 Door Kit with Fused Outputs

Fully assembled kit includes:

- Trove2 enclosure with TAG2 Altronix/AMAG backplane
- One (1) eFlow104NB - Power Supply/Charger
- One (1) eFlow102NB - Power Supply/Charger
- One (1) ACM8 - Fused Access Power Controller
- One (1) ACM4 - Fused Access Power Controller
- One (1) PD4UL - Fused Power Distribution Module

All components of this Trove kit are UL Listed sub-assemblies.

Please refer to the included corresponding Sub-Assembly Installation Guides for further information.

Installation Guide



More than just power.™

All registered trademarks are property of their respective owners.

Rev. TAGK_042319

Installing Company: _____ Service Rep. Name: _____

Address: _____ Phone #: _____

Overview:

Altronix Trove AMAG kits are pre-assembled and consist of Trove enclosures/backplanes with factory installed Altronix power supply/chargers and sub-assemblies. Kits accommodate up to three (3) AMAG M4000 modules for up to twelve (12) doors in a single enclosure.

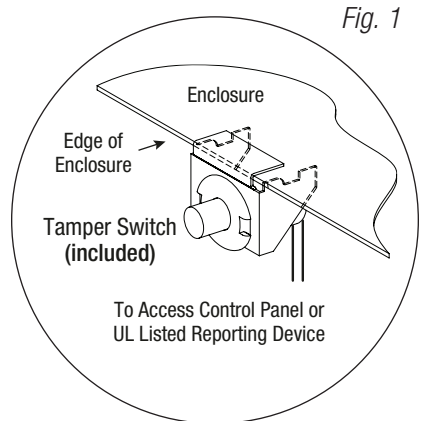
Configuration Chart:

Altronix Model Number	Power Supply Board Input Fuse Rating	Power Supply Board Battery Fuse Rating	120VAC 60Hz Input Current (A)	Maximum Supply Current for Main and Aux. Outputs on Power Supply board and ACM4/ACM8 Access Power Controllers' outputs	Nominal DC Output Voltage		Fail-Safe/Fail-Secure or Dry Form "C" Outputs	Additional Fused Outputs	ACM4 Board Input Fuse Rating	ACM4 Board Output Fuse Rating	ACM8 Board Input Fuse Rating	ACM8 Board Output Fuse Rating	PDS8 Board Input Fuse Rating	PDS8 Board Output Fuse Rating	PD4UL Board Output Fuse Rating
					[DC]	[Aux]									
					Output Range (VDC)	Output Range (VDC)									
T2AGK3F8	5A/250V	15A/32V	3.5	24VDC @ 5.4A	20.17-26.4	20.28-26.4	8	8	-	-	10A/250V	2.5A/250V	10A/32V	3A/32V	-
T2AGK7F12	6.3A/250V	15A/32V	4.5	24VDC @ 9.4A	20.17-26.4	20.28-26.4	12	8	10A/250V	3A/32V	10A/250V	2.5A/250V	10A/32V	3A/32V	-
T2AGK75F12	eFlow104NB 6.3A/ 250V	15A/32V	7.5	24VDC @ 9.4A	20.17-26.4	20.28-26.4	12	4	10A/250V	3A/32V	10A/250V	2.5A/250V	-	-	3.5A/250V
	eFlow102NB 5A/ 250V			12VDC @ 10A	9.7-13.2	10.03-13.2									




Installation Instructions:

Wiring methods shall be in accordance with the National Electrical Code/NFPA 70/ANSI, and with all local codes and authorities having jurisdiction. Product is intended for indoor use only.

1. Remove backplane from enclosure. Do not discard hardware.
2. Mark and predrill holes in the wall to line up with the top three keyholes in the enclosure. Install three upper fasteners and screws in the wall with the screw heads protruding. Place the enclosure's upper keyholes over the three upper screws, level and secure. Mark the position of the lower three holes. Remove the enclosure. Drill the lower holes and install the three fasteners. Place the enclosure's upper keyholes over the three upper screws. Install the three lower screws and make sure to tighten all screws.
3. Mount included UL Listed tamper switch (Altronix Model TS112 or equivalent) in desired location, opposite hinge. Slide the tamper switch bracket onto the edge of the enclosure approximately 2" from the right side (*Fig. 1, pg. 2*).
Connect tamper switch wiring to the Access Control Panel input or the appropriate UL Listed reporting device. To activate alarm signal open the door of the enclosure.
4. Mount AMAG M4000 modules to TAG2 backplane, refer to *page 3-5*.
5. Refer to the *eFlow Power Supply/Charger Installation Guide* for eFlow6NB, eFlow102NB, eFlow104NB, and corresponding *Sub-Assembly Installation Guides* for the following models: ACM8, ACM4, PD4UL, PDS8 and VR6 for further installation instructions.



Hardware:

	Nylon Spacer			5/16" Pan Head Screw			Lock Nut
--	--------------	--	---	----------------------	--	---	----------

T2AGK3F8: Configuration of AMAG M4000 Modules:

1. Align the AMAG M4000 modules on the backplane to match the boards' mounting holes with corresponding pems.
2. Fasten spacers (provided) onto metal pems (Fig. 2a, pg. 3).
3. Mount AMAG M4000 modules to spacers utilizing pan head screws (provided) (Fig. 2a, pg. 3).
4. Fasten TAG2 backplane to Trove2 enclosure utilizing hardware (provided).

Fig. 2

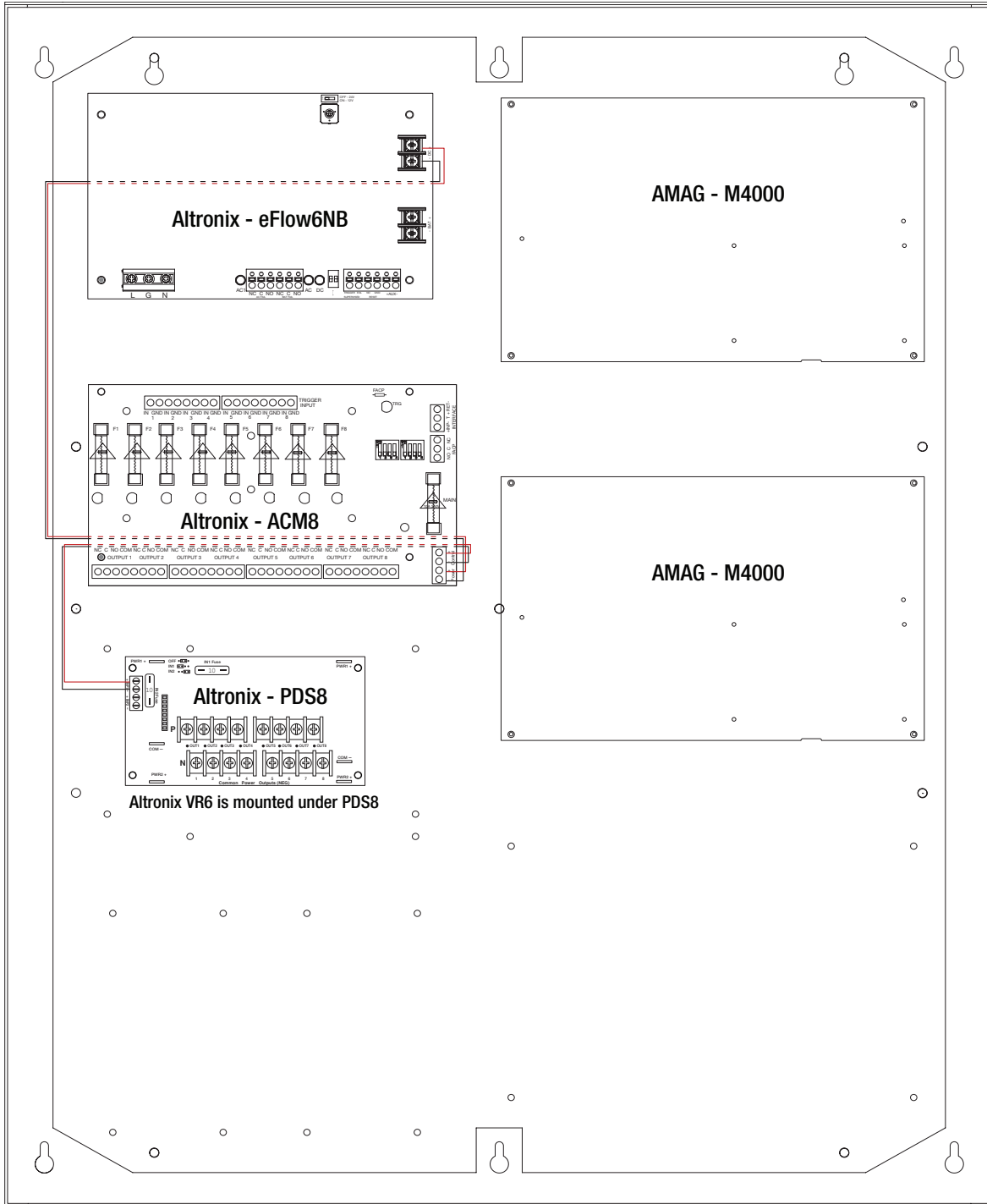
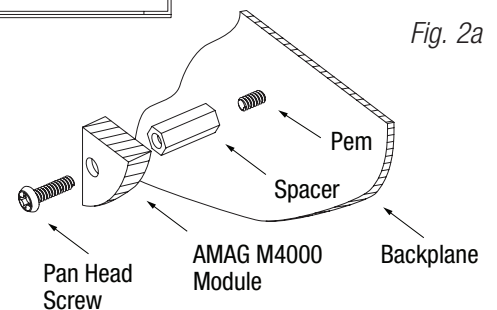


Fig. 2a



T2AGK7F12: Configuration of AMAG M4000 Modules:

1. Align the AMAG M4000 modules on the backplane to match the boards' mounting holes with corresponding pems.
2. Fasten spacers (provided) onto metal pems (Fig. 3a, pg. 4).
3. Mount AMAG M4000 modules to spacers utilizing pan head screws (provided) (Fig. 3a, pg. 4).
4. Fasten TAG2 backplane to Trove2 enclosure utilizing hardware (provided).

Fig. 3

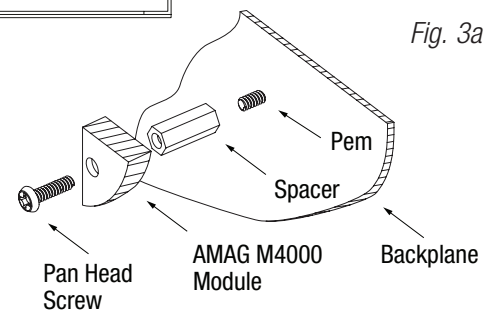
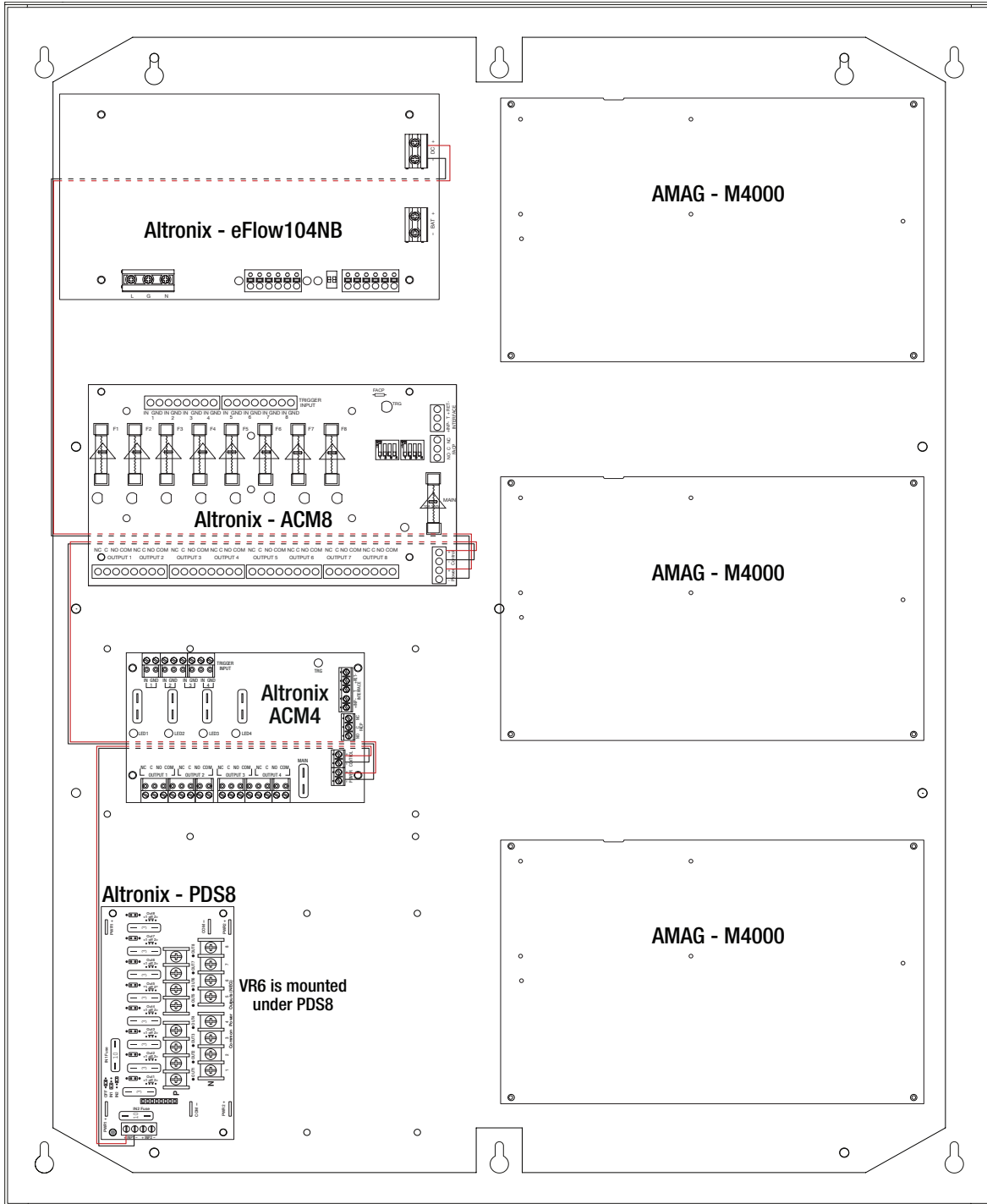
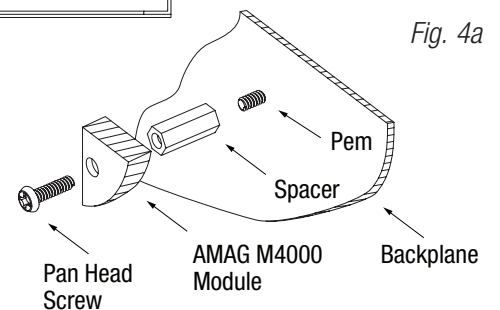
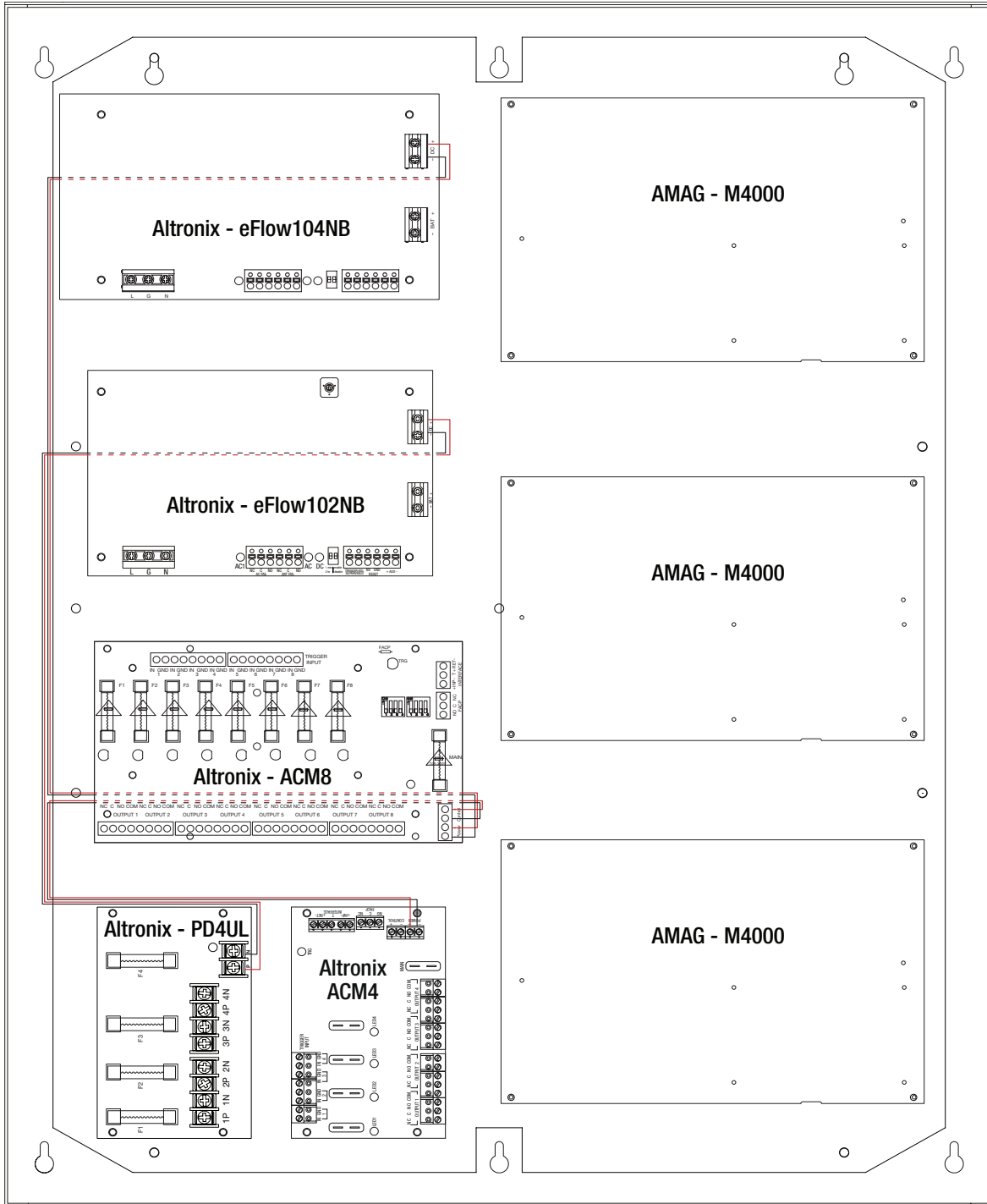


Fig. 3a

T2AGK75F12: Configuration of AMAG M4000 Modules:

1. Align the AMAG M4000 modules on the backplane to match the boards' mounting holes with corresponding pems.
2. Fasten spacers (provided) onto metal pems (Fig. 4a, pg. 5).
3. Mount AMAG M4000 modules to spacers utilizing pan head screws (provided) (Fig. 4a, pg. 5).
4. Fasten TAG2 backplane to Trove2 enclosure utilizing hardware (provided).

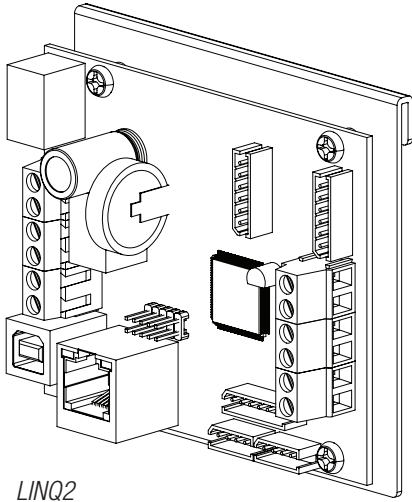
Fig. 4



Notes:



eFlow Power Supply/Chargers can be Controlled and Monitored while Reporting Power/Diagnostics from Anywhere over the Network...



LINQ2

LINQ™

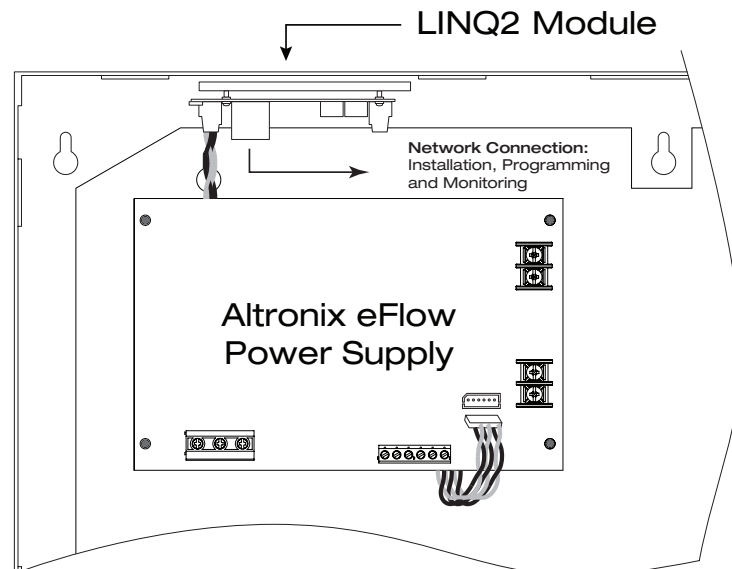
LINQ2 - Network Communication Module

LINQ2 provides remote IP access to real-time data from eFlow power supply/chargers to help keep systems up and running at optimal levels. It facilitates fast and easy installation and set-up, minimizes system downtime, and eliminates unnecessary service calls, which helps reduce Total Cost of Ownership (TCO) - as well as creating a new source of Recurring Monthly Revenue (RMR).

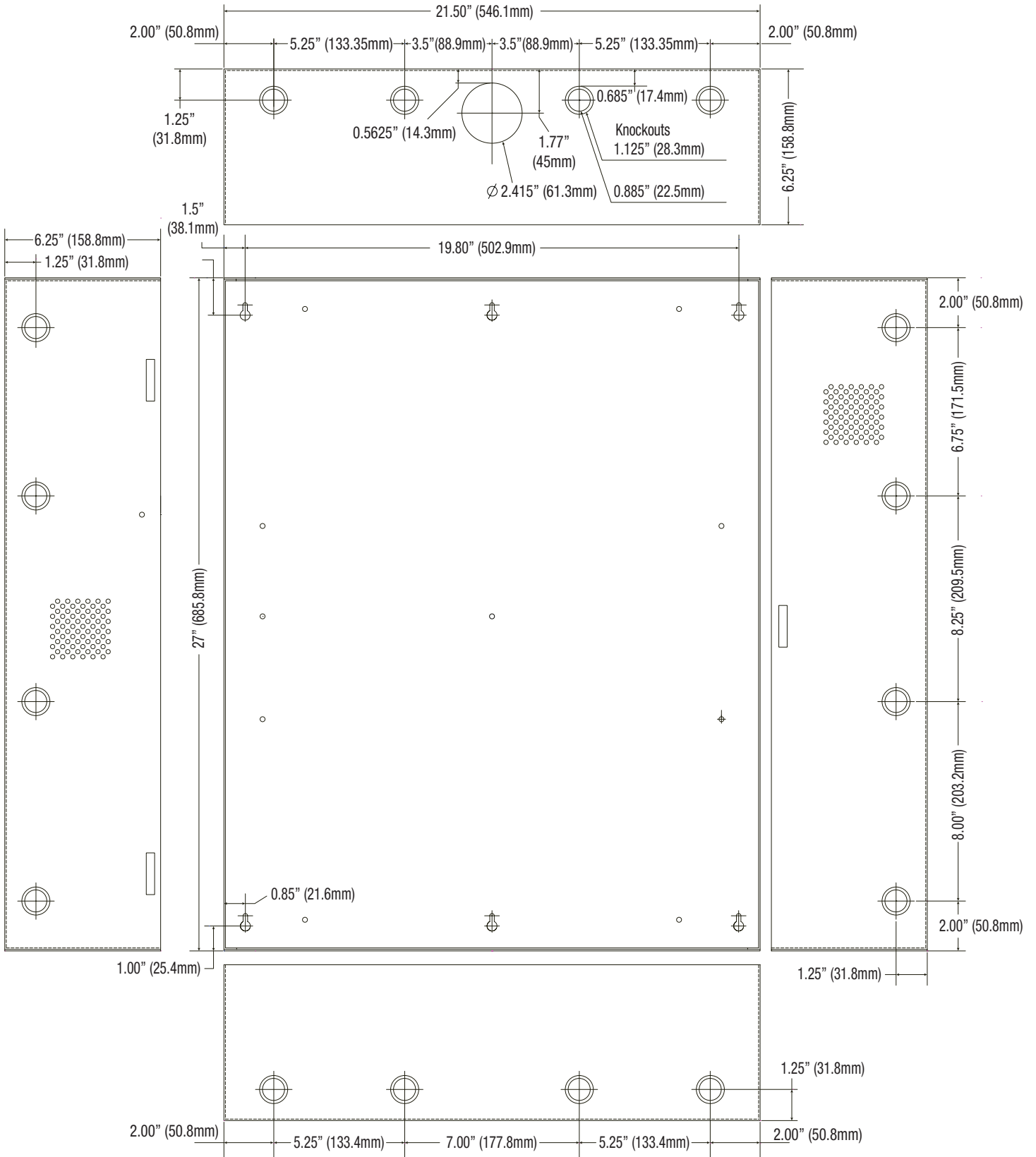
Features:

- UL Listed in the U.S. and Canada.
- Local or remote control of up to (2) two Altronix eFlow power output(s) via LAN and/or WAN.
- Monitor real time diagnostics: DC output voltage, output current, AC & battery status/service, input trigger state change, output state change and unit temperature.
- Access control and user management: Restrict read/write, Restrict users to specific resources
- Two (2) integral network controlled Form "C" Relays.
- Three (3) programmable input triggers: Control relays and power supplies via external hardware sources.
- Email and Windows Dashboard notifications
- Event log tracks history.
- Secure Socket Layer (SSL).
- Programmable via USB or web browser - includes operating software and 6 ft. USB cable.

LINQ2 Mounts Inside any Trove Enclosure



Enclosure Dimensions (H x W x D approximate):
 27.25" x 21.5" x 6.5" (692.15mm x 546.1mm x 165.1mm)



Altronix is not responsible for any typographical errors.

140 58th Street, Brooklyn, New York 11220 USA | phone: 718-567-8181 | fax: 718-567-9056
 web site: www.altronix.com | e-mail: info@altronix.com | Lifetime Warranty
 IITrove AMAG M4000 Kits

I17U

