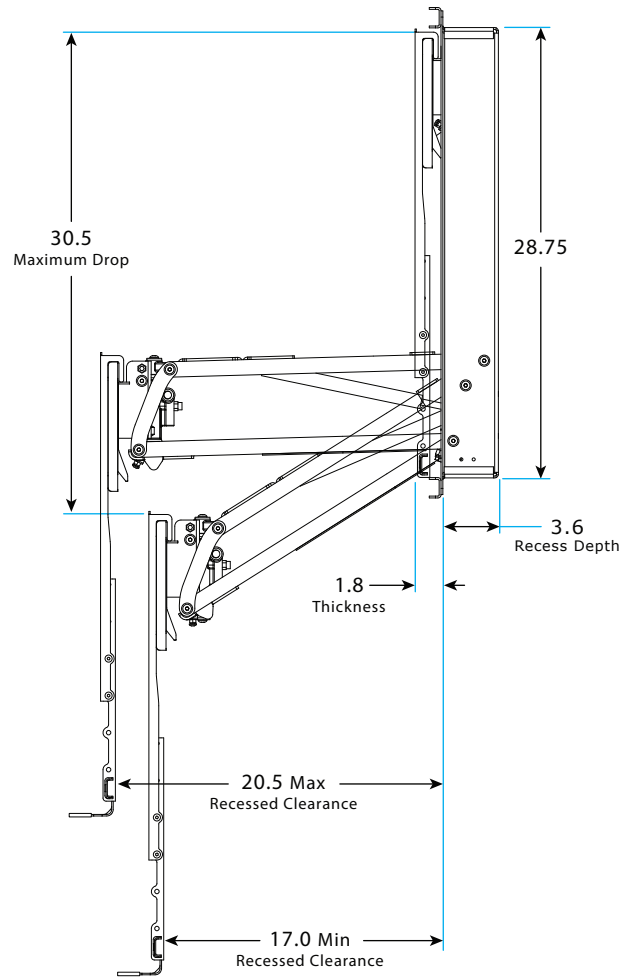
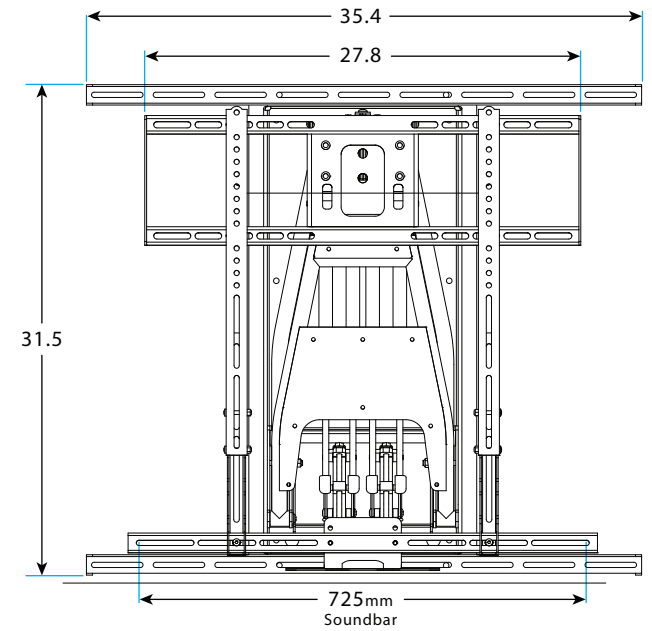




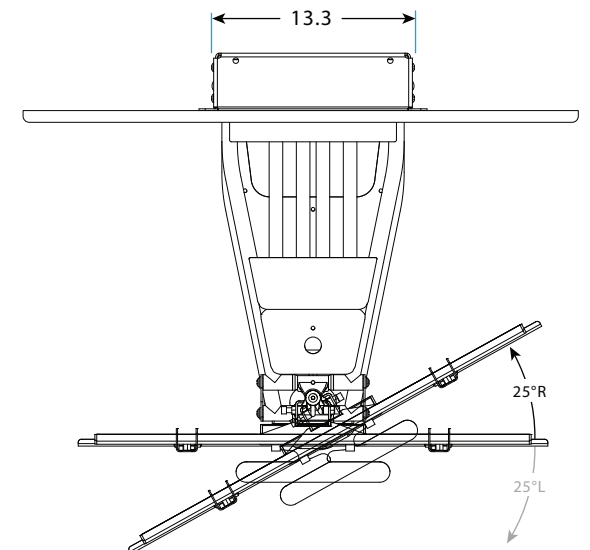
SIDE VIEW



FRONT VIEW



OVERHEAD VIEW



MM750 SPECIFICATIONS

TV Weight Capacity: 30-125 pounds

TV Size: 55" - 100" diagonal

Mount Weight: 73 pounds

Steel Thickness: 3.5 - 5mm

Overall Dimensions: 35.4"w X 31.5"h X 5.5"d

Maximum Lowering Distance: 30.5"

Flush-to-Wall Distance: 1.6"

Swivel: 25° each way

VESA Compliant: Up to 600mm X 600mm

Additional Components:

- Horizontal Sound Bar Adapter
- Color-changing Heat-Sensitive Handles