

**32" LED
HD Monitor****Description:**

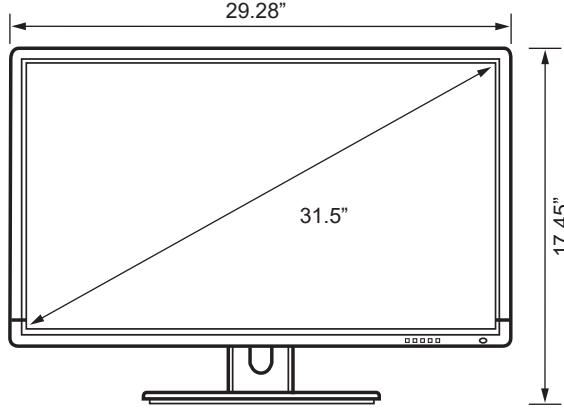

The CM32HD is an 32" LED HD monitor for surveillance applications. This monitor can display HDMI digital inputs plus VGA, S-Video, and BNC analog inputs. The aspect ratio is selectable through the OSD menu for 16:9 widescreen or 4:3 SD. This allows the monitor to correctly display images from an analog DVR or NVR. The monitor includes two built-in stereo speakers and an audio amplifier.

Features:

- 32" LED HD monitor
- HDMI digital inputs
- BNC, VGA and S-Video analog inputs (BNC analog looping output)
- OSD selectable aspect ratio; 16:9 or 4:3
- Built-in stereo speakers and audio amplifier
- HDMI, VGA and audio cables included
- VESA mounting pattern; 200 x 100mm
- Desk stand included

CM32HD Specifications

Power	
Power Source	100 ~ 240V AC
Power Consumption	< 18 W
Monitor Features	
Viewable Area (W x H)	27.5" x 15.46"
Viewable Angle (H x V)	178° / 178°
TV Lines	1080 H-TVL
Color Depth	24 bits; (16.7 million colors)
Monitor Aspect Ratio	16:9
Display Aspect Ratio	16:9 or 4:3
Contrast Ratio	3000:1
Brightness	300 CD/m2
Response Time	6.5 ms
Refresh Rate	60, 70, 75 Hz Depending on resolution
Filter	3D Comb Filter
Noise Reduction	3D De-interlace
Display Resolutions Supported	1360 x 768; 1280 x 1024; 1024 x 768; 800 x 600; 640 x 480; 720 x 400
Input Resolutions Supported	1920 x 1080 (scaled); 1280 x 1024; 1024 x 768; 800 x 600; 640 x 480; 720 x 400
Input / Output	
Digital Video	HDMI: Up to 1920 x 1080
Analog Video	HD VGA: Up to 1920 x 1080
	SD BNC: In + Looping Out S-Video: In
Audio Inputs	1 x 3.5 mm mini-jack
Analog Outputs	1 x 3.5 mm mini-jack Output active for inputs for analog and digital audio
Audio Amplifier	1 Watt / Channel
Speakers	2 built-in

General Information	
Case Material	Plastic
Mounting	VESA Standard 200 x 100mm
Accessories	Power Cord, Stand, 3.5mm Audio Cable, VGA Cable, HDMI Cable, and User's Manual
Certifications	CE, FCC, HDMI, UL (E366334)
Temperature	32°F to 104°F (0°C to 40°C)
Humidity	< 85%
Dimensions (W x H x D)	29.28" x 17.45" x 2.31" (743.95 x 443.40 x 58.70 mm)
Weight	23 lbs (10.8 kg)
Dimensions	
	
Accessory	
 <p>CMC40MBW</p>	<p>Swivel wall mount for monitors and displays, heavy load capacity of 50lbs. With a swivel range of up to 160°. Fits 25" - 40"</p>

COSTAR
VIDEO SYSTEMS

101 Wrangler, Suite 201 • Coppel, Texas 75019 • Phone: 469-635-6800 • Fax: 469-635-6822 • Toll Free: 1-888-694-STAR (7827)

www.costarvideo.com

Specifications and design are subject to change without notice. Conversions: 1" = 25.4mm. Measurement conversions are approximate.

Rev. 03/09/18
V1.1