

SS598ML3



**Mounting Pattern**  
Up to 800 x 600mm  
(31.49" x 23.62")



**Max Load**  
280lb  
(127kg)

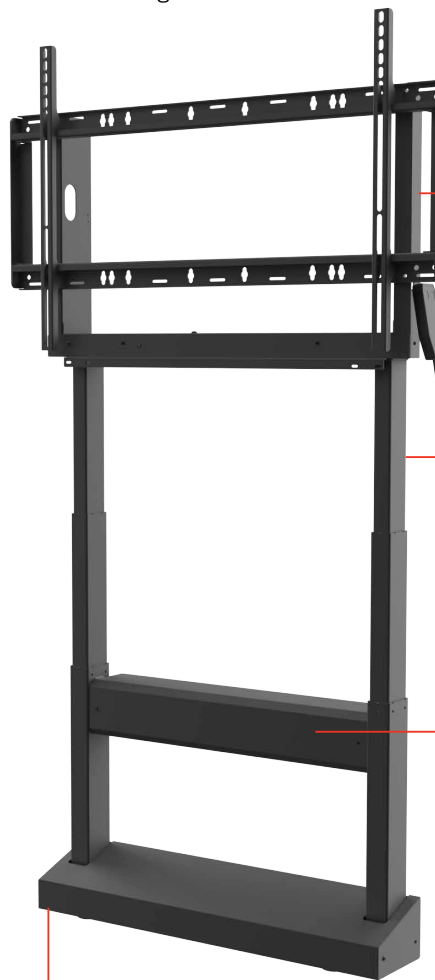
**SMARTMOUNT.**

# Motorized Height Adjustable Stand/Wall Mount

FOR 42" TO 86" INTERACTIVE DISPLAYS

Peerless-AV's SmartMount® Motorized Height Adjustable Stand/Wall Mount was designed to safely mount, raise and lower an interactive display. UL recognized actuators allow the user to raise or lower a display, up to 25.6" (650mm), with the touch of a button. The highly stable design can rest on the floor, or be bolted directly to either the floor or wall. The rear wall plate provides access to mount a Peerless-AV® surge protector or a mini PC, and the bottom shelf provides an area to store a digital pen or eraser. This unique mounting surface allows various users the ability to comfortably interact with a display, making it an ideal solution for education settings.

- Display height can be adjusted up to 25.6" (650mm) with the touch of a button
- Display adaptor fits from 200 x 200 to 800 x 600mm mounting patterns
- Pre-assembled base provides rigidity, stability and quick assembly
- Safety limit switch automatically reverses direction and stops when a collision is detected in an upward, downward or lateral force
- Textured black powder coat finish helps hide finger prints and dust



**REAR STORAGE**

Provides up to 29"W x 13.5"H x 4"D storage for mini PCs, such as Dell Optiplex Micro, HP 260 G2, Lenovo M600 Tiny, or Intel NUC



**VERTICAL ADJUSTMENT**

Center of display is adjustable from 34"-60" from the floor

**SUPPORT COVER**

Hides hardware and doubles as a small shelf for digital pens and erasers

**LEVELING LEGS**

Allow the stand to be positioned properly, even on unlevel surfaces



Shown with Display



Shown with Optional Standoff Plate (ACC114) to Provide 3.5", 4", 4.5" or 5" of Clearance Between the Stand and the Wall



**RoHS**  
2002/95/EC



Complies with the ADA Standards for Accessible Design, Section 308.

info@peerless-av.com  
peerless-av.com

**peerless-AV®**  
Driving Technology Through Innovation

SS598ML3 SmartMount® Motorized Height Adjustable Stand/Wall Mount for 42" to 86" Interactive Displays

**Product Specifications**

	DIMENSIONS (W X H X D)	PRODUCT WEIGHT	LOAD CAPACITY	FINISH	AVAILABLE COLORS
SS598ML3	33.13" x 47.76"-72.42" x 6.63" (842 x 1213 - 1840 x 168mm)	100lb (45.4 kg)	280lb (127kg) Display	Textured Powder Coat	Black

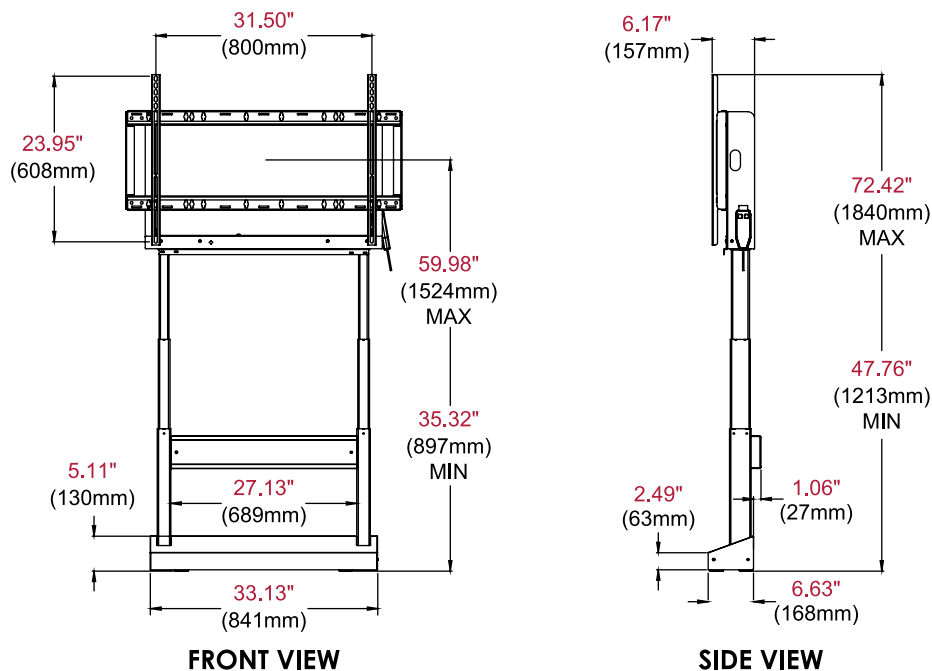
**Package Specifications**

	PACKAGE SIZE (W x H x D)	PACKAGE SHIP WEIGHT	PACKAGE UPC CODE	PACKAGE CONTENTS	UNITS IN PACKAGE
SS598ML3	48.00" x 10.00" x 39.00" (1219 x 254 x 991mm)	130.5lb (59.2kg)	735029329459	Assembled Base with Motorized Columns, Universal Display Adaptors, Control Box, Control Switch, Leveling Legs, Hardware & Instructions	1

**Accessories**

- ACC-WMVC5: Video Conferencing Shelf
- PVP1100-CPL6: 6 Outlet Surge Protector
- ACC114: Stand-off Plate

All dimensions = inch (mm)



**Architect Specifications**

The SmartMount® Motorized Height Adjustable Stand/Wall Mount shall be a Peerless-AV model SS598ML3 and shall be located where indicated on the plans. Assembly and installation shall be done according to instructions provided by the manufacturer.

Visit [peerless-av.com](http://peerless-av.com) to see the complete line of AV solutions from Peerless-AV, including outdoor displays, wireless, kiosks, digital audio, display mounts, projector mounts, carts/stands, and a full assortment of accessories.

**Peerless-AV**  
2300 White Oak Circle  
Aurora, IL 60502 USA  
**(800) 865-2112**  
**(630) 375-5100**  
**Fax: (800) 359-6500**

**Peerless-AV EMEA**  
Unit 3 Watford Interchange  
Colonial Way, Watford  
Herts, WD24 4WP  
United Kingdom  
**+44 (0) 1923 200100**  
**Fax: +44 (0) 1923 200101**

**Peerless-AV Latin America**  
Ave de las Industrias 413  
Parque Industrial Escobedo  
Escobedo, N.L.,  
Mexico 66062  
**+52 (81) 8384-8300**  
**Fax: +52 (81) 8384-8360**

