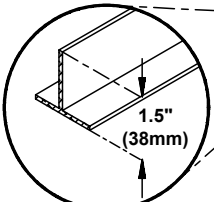
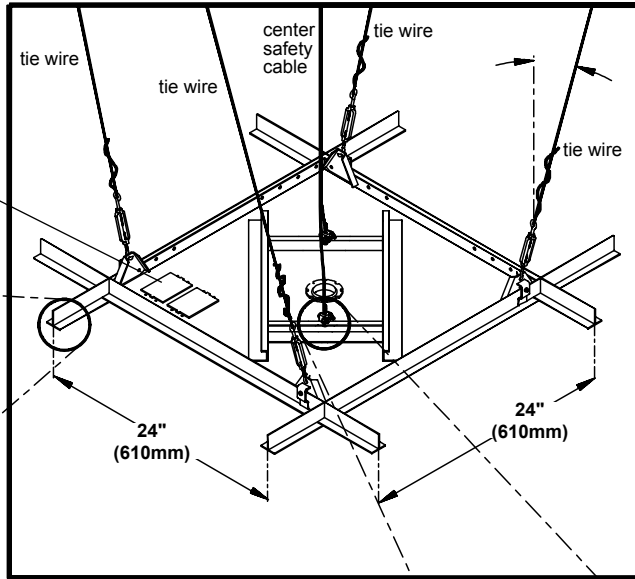
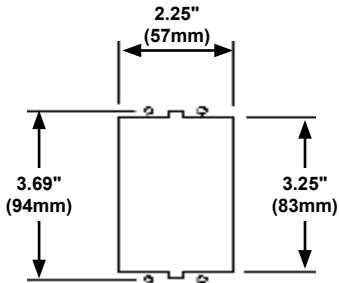


All tie wires attach to the true ceiling above the suspended ceiling.

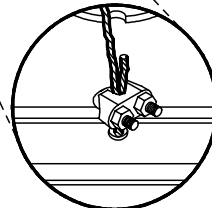
Knockout panels provided for electrical outlet boxes (Raco 445 or Appleton 383 recommended) and antenna leads.



**DETAIL 1**  
Suspended Ceiling Runner



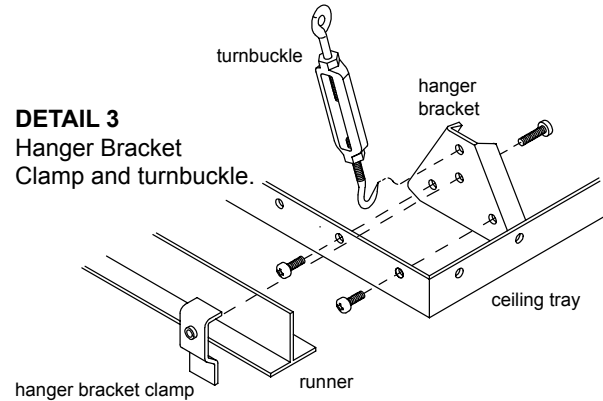
**Electrical Knockout**



**DETAIL 2**  
Safety Cable and Cable Clamp.

The Suspended Ceiling Plate for Jumbo Mounts consists of a 24" (610mm) x 24" (610mm) ceiling tray suspended by four tie wires from the true ceiling above. A fifth "safety cable" is also provided. Turnbuckles allow the installation to be "fine tuned". The NPS threaded fitting in the center of the ceiling tray serves as the point of attachment for a Peerless Jumbo Mount TV Mount or other Peerless product specified as compatible with the Suspended Ceiling Kit. Product may be attached directly or lowered with the addition of a Peerless NPS Extension Column available in several lengths. 20' (6.1m) of tie wire is provided (12 gauge annealed steel, soft, black) - enough for a 3' drop suspended ceiling. If the suspended ceiling is more than 3 feet from the true ceiling, the installer will need to obtain additional wire prior to installation.

**DETAIL 3**  
Hanger Bracket  
Clamp and turnbuckle.



**WEIGHT: 20.5 LB**  
**SHIPPING WEIGHT: 21.1 LB**



**WARNING: WEIGHT OF TV or MONITOR NOT TO EXCEED MAXIMUM LOAD CAPACITY!**

**Architects specifications:**

The Suspended Ceiling Plate shall be a Peerless model CMJ450 and shall be mounted where indicated on the plans. It shall contain a ceiling tray with a NPS center threaded fitting and two knockout panels for outlet boxes (Raco 445 or Appleton 383 recommended) and antenna leads. It shall feature a tie wire support system to transfer the load to four attachment points (in the true ceiling above) with turnbuckles to fine tune the level of the ceiling tray. A center safety cable shall also be provided. It shall be UL Listed. The finish shall be White Fused Epoxy. Assembly and installation shall be done according to instructions provided by the manufacturer.

**Suspended Ceiling Plate for Jumbo Mounts**  
**TECHNICAL DATA SHEET**

**Peerless-AV**

2300 White Oak Circle  
Aurora, IL 60502

phone: (800) 865-2112  
fax: (800) 359-6500

ISSUED: 7-25-95 SHEET #: 128-9504-6 05-25-12