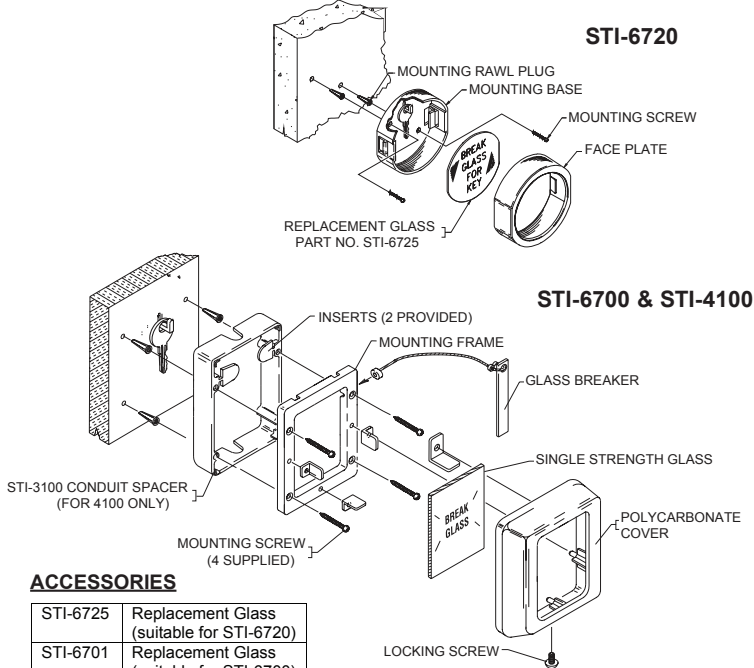


## KEYBOXES

What do you do when the keys to your fire alarm system, exit doors and so forth must be available in an emergency, but you don't want to just hang them on a nail? The answer is the STI Keybox. Available in three sizes the keyboxes allow the keys to remain visible and available in the event of an emergency. The glass provides an effective deterrent against theft. The keyboxes are inexpensive and easy to install, and are supplied with fixing kits. Inexpensive replacement glass is also available.



### ACCESSORIES

STI-6725	Replacement Glass (suitable for STI-6720)
STI-6701	Replacement Glass (suitable for STI-6700)
STI-C051	Replacement Glass (suitable for STI-4100)
STI-6721	Hammer and Chain

## Installation Data for STI-6720, STI-6700 & STI-4100

### For the STI-6720

1. Using the mounting base of the unit, mark out the two fixing holes.
2. Secure the mounting base to the wall using x2 1" x 8 fixings (not supplied). Assemble the deterrent glass and face plate.
3. Once assembled push onto the mounting base until it clicks into place.

### To replace the glass

1. Remove the face plate by locating and pushing two brackets found on either side of the mounting base.
2. Assemble the deterrent glass and face plate.
3. Once assembled push onto the mounting base until it clicks into place.

### For the STI-6700 & STI-4100

1. Select location for key storage and remove back frame from cover.
2. Place frame on wall and mark holes for wall fixings as well as one in the centre for the key hook.
3. Drill four holes for wall fixings and one for hook.
4. Fasten frame to wall with the wall fixings and x4 2" x 10 screws (supplied). Place wall fixing in the centre hole and screw in hook.
5. Place keys on hook.
6. Mount cover with glass onto frame by inserting the two tabs at the top of the cover into the slots on top of the frame. Close the cover.
7. Lock the cover in place with allen screw or, if desired, special operational tamperproof screw.

### To replace the glass

1. Loosen screw until the cover is released and remove cover from frame.
2. Lay cover on table and remove plastic angle brackets. Carefully remove any broken glass.
3. Place new glass panel inside location pins, making sure the glass is not upside down.
4. Replace angle brackets.
5. Mount cover with glass over the frame and lock in place.

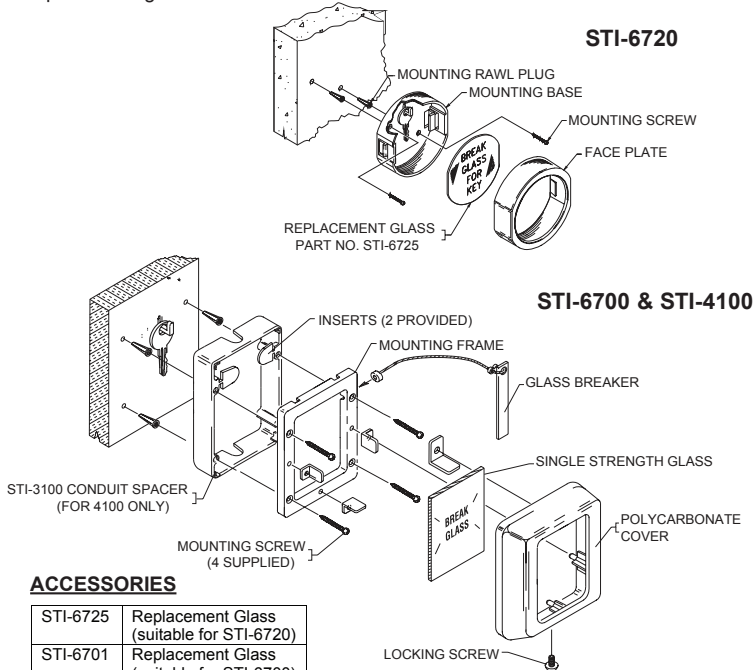


ID6720\_6700\_4100\_series • Revised 02/17-023 • Printed in England

**Need help? Call our Technical Support Team on +44 (0)1527 520 999**

## KEYBOXES

What do you do when the keys to your fire alarm system, exit doors and so forth must be available in an emergency, but you don't want to just hang them on a nail? The answer is the STI Keybox. Available in three sizes the keyboxes allow the keys to remain visible and available in the event of an emergency. The glass provides an effective deterrent against theft. The keyboxes are inexpensive and easy to install, and are supplied with fixing kits. Inexpensive replacement glass is also available.



### ACCESSORIES

STI-6725	Replacement Glass (suitable for STI-6720)
STI-6701	Replacement Glass (suitable for STI-6700)
STI-C051	Replacement Glass (suitable for STI-4100)
STI-6721	Hammer and Chain

## Installation Data for STI-6720, STI-6700 & STI-4100

### For the STI-6720

1. Using the mounting base of the unit, mark out the two fixing holes.
2. Secure the mounting base to the wall using x2 1" x 8 fixings (not supplied). Assemble the deterrent glass and face plate.
3. Once assembled push onto the mounting base until it clicks into place.

### To replace the glass

1. Remove the face plate by locating and pushing two brackets found on either side of the mounting base.
2. Assemble the deterrent glass and face plate.
3. Once assembled push onto the mounting base until it clicks into place.

### For the STI-6700 & STI-4100

1. Select location for key storage and remove back frame from cover.
2. Place frame on wall and mark holes for wall fixings as well as one in the centre for the key hook.
3. Drill four holes for wall fixings and one for hook.
4. Fasten frame to wall with the wall fixings and x4 2" x 10 screws (supplied). Place wall fixing in the centre hole and screw in hook.
5. Place keys on hook.
6. Mount cover with glass onto frame by inserting the two tabs at the top of the cover into the slots on top of the frame. Close the cover.
7. Lock the cover in place with allen screw or, if desired, special operational tamperproof screw.

### To replace the glass

1. Loosen screw until the cover is released and remove cover from frame.
2. Lay cover on table and remove plastic angle brackets. Carefully remove any broken glass.
3. Place new glass panel inside location pins, making sure the glass is not upside down.
4. Replace angle brackets.
5. Mount cover with glass over the frame and lock in place.



ID6720\_6700\_4100\_series • Revised 02/17-023 • Printed in England

**Need help? Call our Technical Support Team on +44 (0)1527 520 999**