

# ConteralP™ Micro Bullet IP Megapixel Camera

1080p or 5 Megapixel (MP) H.265/H.264 All-in-One True Day/Night Indoor/Outdoor Bullet-Style IP Camera with SNAPstream+™ (Smart Noise Adaptation and Processing), Enhanced WDR™ (Wide Dynamic Range), NightView™, and Smart IR

H.265



The ConteralP™ Micro Bullet outdoor-ready megapixel camera features 1080p and 5-megapixel (MP) resolution for optimum performance. The ConteralP Micro Bullet combines a day/night mechanical IR cut filter with an integrated 3.6mm lens.

Regardless of the time of day, the ConteralP Micro Bullet is prepared for any lighting condition. For applications with poor lighting conditions, Enhanced WDR™ (wide dynamic range) at 120dB provides the best visual balance to shaded and bright light conditions.

For clear color images in low-light, NightView™ offers strong low-light sensitivity for capturing details in extremely poor-lit scenes, and is further enhanced by built-in Smart IR LED illumination that automatically adjusts output in response to the distance of an object in view to prevent over-exposure when the object is very close to the camera.

Arecont Vision® was the first to bring H.264 to the mainstream market and

recently developed SNAPstream™ (Smart Noise Adaptation and Processing) technology for reducing bandwidth without impacting image quality. Today we are proud to offer our next generation H.265 with SNAPstream+™ smart codec capable of delivering high quality video while saving over 50% of the data rate to reduce or prevent strain on the network.

The camera's power can be supplied via a Power-over-Ethernet (PoE - IEEE 802.3af) compliant network cable connection.

The ConteralP Micro Bullet is IP66 rated for both indoor and outdoor applications. All models feature an impact resistant cast-aluminum housing capable of withstanding the equivalent of 55 kg (120 lbs) of force.

The ConteralP Micro Bullet is ONVIF (Open Network Video Interface Forum) Profile S, Q and T compliant, providing interoperability between network video products regardless of manufacturer.



SNAPstream+™ Technology



NightView™



Enhanced WDR™ Wide Dynamic Range



Smart IR LEDs



True Day/Night with Mechanical IR Cut Filter



CorridorView™ with 90° Image Flip



Tri-Encoder H.265/H.264/MJPEG



All-in-One Bullet-Style Solution



Impact / Weather Resistant IK-10 and IP66 Rated

## Series Features

- 1080p (2.1MP) or 5MP Resolution
- 3.6mm Integrated Lens
- SNAPstream+™ Capability to Reduce Bandwidth without Impacting Image Quality
- NightView™ for Strong Low Light Performance
- True Day/Night Functionality with Mechanical IR Cut Filter
- Enhanced WDR up to 120dB at Full Resolution: See Clearly in Shaded and Bright Light Conditions Simultaneously
- CorridorView™ Allows 90° Image Rotation for Better Coverage in Hallways and Corridors
- Privacy Mask, Motion Detection, Bit Rate Control, Multi-Streaming, Multicasting, Forensic Zooming, and Scaling
- On-Screen Display (OSD)
- Defog Technology
- Triple Encoder: H.265/H.264/MJPEG
- Network Protocols Include SNMP, HTTPS, IPv6, DHCP, 802.1x, and More
- All-in-One H.265/H.264 PoE Solution
- Integrated IR LEDs
- IK-10 Impact-Resistant Housing
- Outdoor Rated IP66
- Easily Adjustable 3-Axis Wall Mount

## Camera Imaging Specifications

Model		AV02CMB-100	AV05CMB-100
Image Sensor		1080p (2.1MP) CMOS Progressive Sensor	5MP CMOS Progressive Sensor
Optical Format		1/2.8"	1/2.9"
Minimum Illumination	Color (Day Mode)	0.05 Lux	0.1 Lux
	B/W (Night Mode)	0.005 Lux	0.01 Lux
Full FOV Resolution		1920 H x 1080 V	2592 H x 1944 V
Scaling (See Scaling Resolutions Below)		Yes	Yes
IR Illumination		Yes	Yes
Dynamic Range		120dB	120dB
Frame Rates*	Single Stream	Up to 30fps (1080p)	Up to 30fps (5MP)**
	Multi-Stream	Up to 30fps (1080p) + 20fps (1080p)	Up to 15fps (5MP)** + 10fps (5MP)**
		Up to 30fps (1080p) + 30fps (720p) + 30fps (VGA)	Up to 30fps (1080p)** + 30fps (720p)** + 30fps (VGA)**
Lens	Fixed Iris	3.6mm, F2.0, H-FOV = 85°, V-FOV = 46°	3.6mm, F2.0, H-FOV = 62°, V-FOV = 46°

## Programmability

Optics	Fixed lens	
Low-Light Performance	NightView™ technology	
	Smart IR	
Programmable Shutter Speed	Auto/manual 0.1ms – 500ms	
Motion Detection	Real-time, 1024 detection zones	
Privacy Masking	Unlimited	
Backlight Compensation	Auto	
White Balance Mode	Auto/manual	
Gain Control	Auto	
Flicker Control*	5Hz–255Hz adjustable	
Image Rotation	CorridorView™ (90°, 180°, and 270° image rotation) + mirror	
Scaling	1080p	1920x1080, 1280x720, 960x540, 640x480, 640x360, 320x240
	5MP	2592x1944, 2048x1536, 1920x1080, 1296x972, 1280x720, 640x480, 640x360, 320x240
Wide Dynamic Range	Adjustment between WDR and LDR modes	
Efficiency	SNAPstream+™ (Smart Noise Adaptation and Processing)	
	Bit rate and bandwidth limitation control	
Defog	Supported	
Miscellaneous	Programmable brightness, contrast, sharpness, saturation, hue	
	Electronic pan, tilt, zoom (PTZ)	
Password	16-digit ASCII character password	
On-Screen Display (OSD)	Time/date/camera name/custom text	

## Data Transmission

Compression Type	H.265/H.264 (MPEG-4, Part 10)/Motion JPEG
Bit Rate Control	64K–8000K
Smart Codec	Smart GOP/Smart ROI
Transmission Protocols	SNMP, HTTP, HTTPS, IPv6, IPv4, SSL, TCP/IP, UPnP, UDP, RTCP, RTSP, RTP, SMTP, NTP, DHCP, FTP, 802.1x, Zero Configure
	10/100Base-T Ethernet network interface, RJ45
Multi-Streaming	2 x H.265/H.264 stream, 1 x M-JPEG stream
Users	Live viewing/Administrator for up to 10 clients

## Event Management

Event Trigger	Motion detection, tampering detection, alarm in
Notifications	Send/record message via e-mail/FTP/NAS, record JPG/mp4

## Compliance

Industry Standard	ONVIF Profile S, Q, T conformant
FCC Compliance	47 CFR 15 Class A
Environmental	RoHS, REACH, WEEE
Markings	CE: EN55032 Class A, EN55024, EN61000-3-2, EN61000-3-3, EN60950
Mechanical	IK-10 (EN62262), IP66 (EN60529)

## Environmental

Operating Temperature	-20°C (-4°F) to +50°C (122°F)
Humidity	0% to 90% (non-condensing)
Storage Temperature	-40°C (-40°F) to +60°C (140°F)

## General Electrical

Power Over Ethernet	PoE IEEE 802.3af, Class 3
	Total PoE solution (no external power requirement)
Power Consumption	1080p 6.6W PoE max
	5MP 7.5W PoE max

## IR Illuminator

LEDs	4pcs, Smart IR
Projection Distance	66ft (20m) max

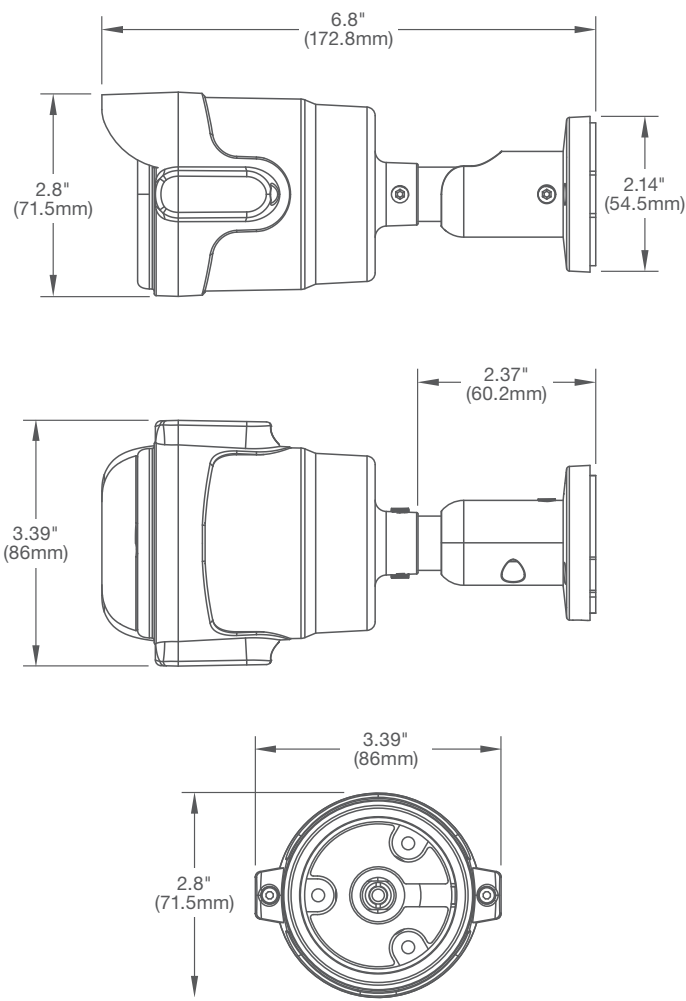
\* 30 frames per second (FPS) maximum with H.264 and H.265 compression at 60 hertz (Hz), up to 25fps maximum at 50Hz

\*\* Max FPS with Enhanced WDR™ turned on will be up to 50% of listed FPS

## Mechanical

<b>Casing</b>	Die-cast aluminum cylindrical (bullet-style) housing	
	IP66 weather proof standard	
	IK-10 impact-resistant	
<b>Mount</b>	Easily adjustable 3-axis with 360° pan, 90° tilt and 360° z-axis	
<b>Dimensions</b> <small>(See Dimensions)</small>	<b>Unit</b>	2.8" H (71.5mm) x 3.39" W (86mm) x 6.8" D (172.8mm)
	<b>Packaged</b>	4.7" H (120mm) x 5.3" W (135mm) x 7.9" L (200mm)
<b>Weight</b>	<b>Unit</b>	0.95lbs (0.43kg)
	<b>Packaged</b>	1.39lbs (0.63kg)
<b>Body Color</b>	Arecont Vision® White (Pantone P179-1C)	

## Dimensions



See Next Page for Ordering Information



### Model Numbers

<b>1080p</b>	AV02CMB-100	<b>WDR</b>
<b>5MP</b>	AV05CMB-100	<b>WDR</b>

### Accessories (Sold Separately)

<b>AV-EBAS-W</b>	Square Electrical Box Adapter Plate (Arecont Vision® White)
<b>MCB-JBA-W</b>	Round Junction Box for ConteraIP™ Micro Bullet (Arecont Vision® White)

### Configurations



Micro Bullet

Create Your Model (Example: AV05CMB-100)

Megapixel  
Resolution

ConteraIP  
Product Line

Body Type

