

SF630(P)



	Mounting Pattern	Max Load
	75 x 75, 100 x 100mm	80lb (36kg)

SMARTMOUNT®

Flat Wall Mount

FOR 10" TO 29" DISPLAYS*

The SmartMount® Flat Wall Mount series offers the most versatile installation features and mounting options. The SF630(P) models' low-profile design offers a sleek, aesthetically pleasing look to fit into any décor. Security screws provided in the SF630 model deter tampering and theft. The display can now simply be installed by a single person with the Hook-and-Hang™ system. The Easy-Glide™ adaptors hook onto the wall plate for an overall quick, simple and secure installation.

- Accommodates 75 x 75 or 100 x 100mm VESA® mounting patterns
- Slim design positions the display only 0.96" (24mm) from the wall
- Display adaptor simply slides into the wall plate for quick and easy installation
- Includes all necessary wall and display attachment hardware
- Integrated security options available
- Design is UL listed and tested to four times stated load capacity
- For mounts requiring theft resistant hardware, installed with security tool (included), please purchase SF630
- For mounts requiring standard hardware, installed with a Philips screwdriver, please purchase SF630P

HOOK-AND-HANG™ INSTALLATION

Display is easily installed by a single person



LOW-PROFILE DESIGN

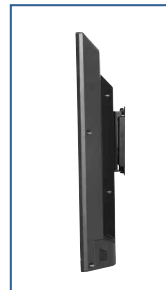
Creates an aesthetically appealing look

FLEXIBLE MOUNTING LOCATIONS

Mounts to wood stud, concrete, cinder or breeze block



Please visit peerless-av.com/en-us/patents for patent information.



Low-profile design for a sleek, yet compact installation.



Comes in color packaging with included installation hardware and easy to follow instructions.

*This display size range is simply a guideline for product selection. Displays larger than the screen size range may still be compatible as long as they fall within the VESA® pattern and max weight of the Peerless-AV® product.

Model Numbers

WARRANTY: Limited 5-year

SF630P	SmartMount® Flat Wall Mount for 10" to 29" Displays - Standard Models
SF630	SmartMount® Flat Wall Mount for 10" to 29" Displays - Security Models

Product Specifications

	DIMENSIONS (W x H x D)	PRODUCT WEIGHT	LOAD CAPACITY	FINISH	AVAILABLE COLORS
SF630(P)	6.02" x 5.75" x 0.96" (153 x 146 x 24mm)	1.55lb (0.70kg)	80lb (36kg)	Scratch Resistant Fused Epoxy	Semi-Gloss Black

Package Specifications

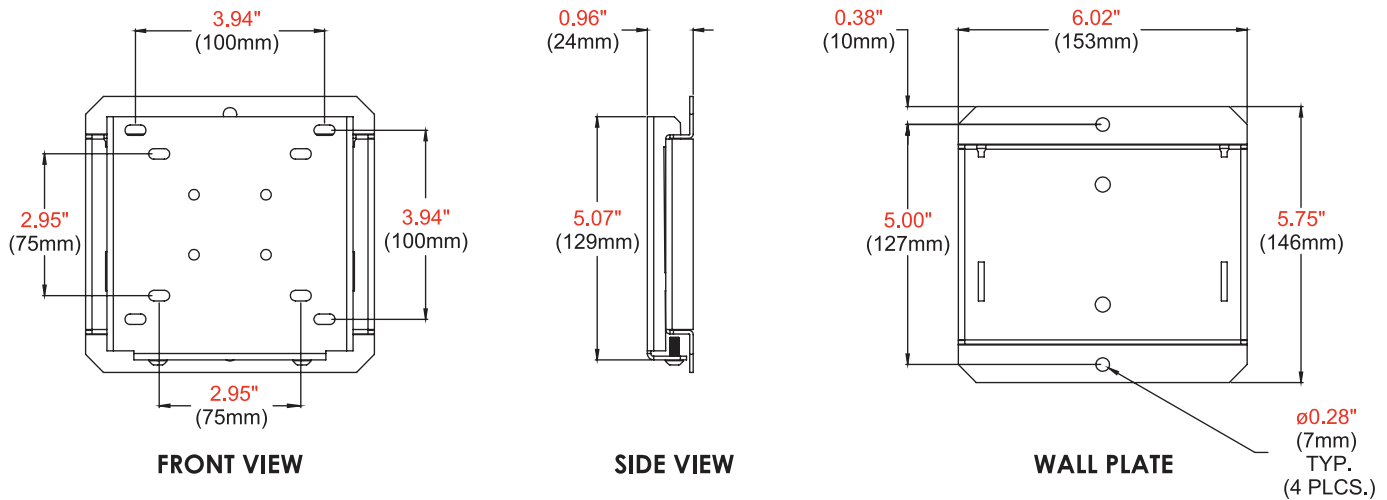
	PACKAGE SIZE (W x H x D)	PACKAGE SHIP WEIGHT	PACKAGE UPC CODE	PACKAGE CONTENTS	UNITS IN PACKAGE
SF630(P)	9.38" x 2.90" x 8.25" (238 x 74 x 210mm)	2.2lb (1.0kg)	SF630: 735029236191 SF630P: 735029236214	Wall Mount, Wall and Display Installation Hardware, Installation Instructions	1

Accessories

ACC215: 2-pack Metal Stud Fastener Kit
ACC2X1: VESA® 200 x 100mm Adaptor Plate

ESHV models: AV Wall Shelves
IBA4-W: Easy Mount Recessed Low Voltage Cable Plate
IBA5-W: Recessed Low Voltage Media Plate with Duplex Surge Suppressor

All dimensions = inch (mm)



Architect Specifications

The SmartMount® Flat Wall Mount shall be a Peerless-AV model SF630(P) and shall be located where indicated on the plans. Assembly and installation shall be done according to instructions provided by the manufacturer.

Visit peerless-av.com to see the complete line of AV solutions from Peerless-AV, including outdoor displays, kiosks, digital audio, display mounts, projector mounts, carts/stands, and a full assortment of accessories.

Peerless-AV
2300 White Oak Circle
Aurora, IL 60502 USA
(800) 865-2112
(630) 375-5100
Fax: (800) 359-6500

Peerless-AV EMEA
Unit 3 Watford Interchange
Colonial Way, Watford
Herts, WD24 4WP
United Kingdom
+44 (0) 1923 200100
Fax: +44 (0) 1923 200101

Peerless-AV Latin America
Av. de las Industrias 413
Parque Industrial Escobedo
General Escobedo, N.L.,
México, 66062
+52 (81) 8384-8300
Fax: +52 (81) 8384-8360

peerless-AV®
Driving Technology Through Innovation