

IP Public View Monitors



WELDEX
CORPORATION

WDL-7IPPVM

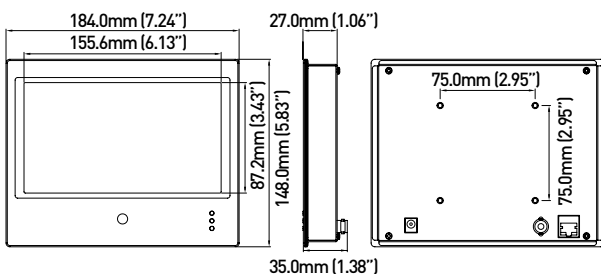
7" IP Public View Monitor



SPECIFICATION

Display	
Screen size	7"
Resolution	800 × 400
Brightness	400cd/m ²
Viewing angle	140(H) × 120(V)
Contrast ratio	500:1
Aspect ratio	16:9
Response time	< 20ms
Camera	
Image sensor	SONY IMX122 1/3" 2.1 megapixel CMOS image sensor
Lens	F2.0mm mega pixel covert lens, pin-hole type
Active pixel	1920(H) × 1080(V)
Frame rate	30fps
Scanning system	Progressive scan
Electronic shutter speed	Auto / Fik, NTSC : 1/30 ~ 1/50,000sec, PAL : 1/25 ~ 1/50,000sec
White balance	ATW / AWC / MANUAL / INDOOR / OUTDOOR
Backlight compensation	BLC / HLC / Off
ACCE (Adaptive color & contrast enhancement)	Low / Middle / High / Off
AGC	Low / Middle / High
Day & Night	Auto / B&W / Color (selectable)
Noise reduction	2DNR / 3DNR / SMART NR
S/N ratio	More than 50dB
Minimum illumination	1.0Lux(color), 0.5Lux(BW), 0.02Lux(sens-up × 60)
Video	
Compression	H.264 @HP, MJPEG
Streaming	Simultaneous multiple streams H.264 streaming over UDP, TCP, HTTP or HTTPS, MJPEG streaming over HTTP or HTTPS
Resolution	640×480, 800×480, 800×600, 1024×768, 1280×720, 1280×1024, 1920×1080
Frame rate	up to 30fps @1080p

DIMENSIONS



WDL-7IPPVM

7" IP Public View Monitor



Networking	
Interface	10/100 Mbps ethernet, RJ-45
ONVIF	8 clients monitoring at the same time
Protocols	IPv4, TCP/IP, HTTP, HTTPS, UPnP, BONJOUR RTP/RTSP, SMTP, FTP, DHCP, NTP, DNS, DDNS, SNMP
Users	Supports firmware upgrade
Connectors	
Ethernet	RJ-45 jack
Power input	2.1mm DC jack
Power	
Power over Ethernet(PoE)	IEEE 802.3af
Power supply	DC 12V / 4A
Power consumption	< 0.7A
Environmental	
Operating temperature	0°C ~ +50°C (+32°F ~ +122°F)
Storage temperature	-20°C ~ +60°C (-40°F ~ +140°F)
Humidity	10~90% RH, non condensing
Dimensions	
Dimensions	184.0(W) × 148.0(H) × 27.0(D)(mm)
Weight	720g (net weight)

FEATURES

Onvif compliant - Profile S / Verint / March Networks / 3VR

"A" Commercial grade LED panel

Built in 2.1 mega pixel camera / Pinhole lens

Blinking indicator LED (blue, red, green)

/ Blinking message "Recording in progress"

Auto power / Source recovery / RJ-45

PoE support

BNC looping output

WDL-10IPPVM

10.4" IP Public View Monitor



SPECIFICATION

Display

Screen size	10.4"
Resolution	800 × 600
Brightness	450cd/m ²
Viewing angle	150(H) × 110(V)
Contrast ratio	300:1
Aspect ratio	4:3
Response time	< 30ms

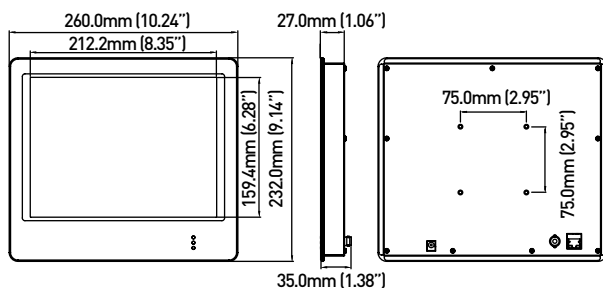
Camera

Image sensor	SONY IMX122 1/3" 2.1 megapixel CMOS image sensor
Lens	F2.0mm mega pixel covert lens, pin-hole type
Active pixel	1920(H) × 1080(V)
Frame rate	30fps
Scanning system	Progressive scan
Electronic shutter speed	Auto / Fik, NTSC : 1/30 ~ 1/50,000sec, PAL : 1/25 ~ 1/50,000sec
White balance	ATW / AWC / MANUAL / INDOOR / OUTDOOR
Backlight compensation	BLC / HLC / Off
ACCE (Adaptive color & contrast enhancement)	Low / Middle / High / Off
AGC	Low / Middle / High
Day & Night	Auto / B&W / Color (selectable)
Noise reduction	2DNR / 3DNR / SMART NR
S/N ratio	More than 50dB
Minimum illumination	1.0Lux(color), 0.5Lux(BW), 0.02Lux(sens-up × 60)

Video

Compression	H.264 @HP, MJPEG
Streaming	Simultaneous multiple streams H.264 streaming over UDP, TCP, HTTP or HTTPS, MJPEG streaming over HTTP or HTTPS
Resolution	640×480, 800×480, 800×600, 1024×768, 1280×720, 1280×1024, 1920×1080
Frame rate	up to 30fps @1080p

DIMENSIONS



WDL-10IPPVM

10" IP Public View Monitor



FEATURES

Onvif compliant - Profile S / Verint / March Networks / 3VR

"A" Commercial grade LED panel

Built in 2.1 mega pixel camera / Pinhole lens

Blinking indicator LED (blue, red, green)

/ Blinking message "Recording in progress"

Auto power / Source recovery / RJ-45

PoE support

BNC looping output

Networking	
Interface	10/100 Mbps ethernet, RJ-45
ONVIF	8 clients monitoring at the same time
Protocols	IPv4, TCP/IP, HTTP, HTTPS, UPnP, BONJOUR RTP/RTSP, SMTP, FTP, DHCP, NTP, DNS DDNS, SNMP
Users	Supports firmware upgrade
Connectors	
Ethernet	RJ-45 jack
Power input	2.1mm DC jack
Power	
Power over Ethernet(PoE)	IEEE 802.3af
Power supply	DC 12V / 4A
Power consumption	< 0.7A
Environmental	
Operating temperature	0°C ~ +50°C (+32°F ~ +122°F)
Storage temperature	-20°C ~ +60°C (-40°F ~ +140°F)
Humidity	10~90% RH, non condensing
Dimensions	
Dimensions	260.0(W) × 232.0(H) × 27.0(D)(mm)
Weight	950g (net weight)

WDL-1900PVM-IP

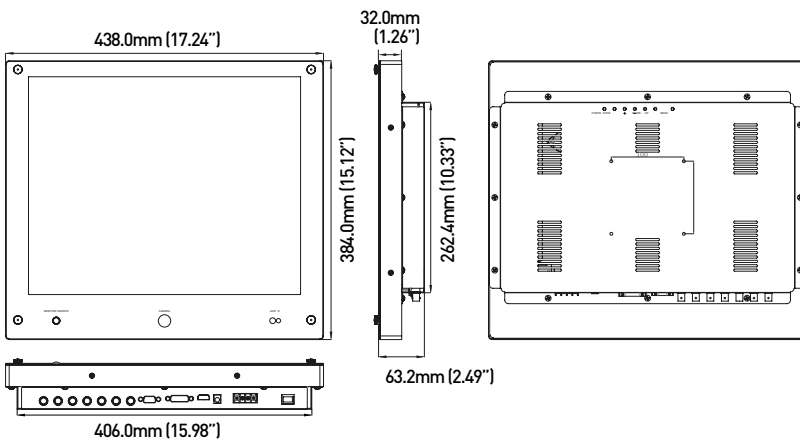
19" IP Public View Monitor



SPECIFICATION

Display	
Screen size	19"
Resolution	1280 × 1024
Brightness	250cd/m ²
Viewing angle	170(H) × 160(V)
Contrast ratio	500:1
Aspect ratio	5:4
Response time	5ms (max 8ms)
Camera	
Image sensor	1/2.8" SONY 2.38M progressive C-MOS
Lens	2.9mm fixed lens
Active pixel	1920(H) × 1080(V)
Frame rate	30fps
Backlight compensation	WDR [HDR]
Video	
Compression	H.264 @HP, MJPEG
Streaming	Simultaneous multiple streams, H.264 streaming over UDP, TCP, HTTP or HTTPS, MJPEG streaming over HTTP or HTTPS
Resolution	1920 × 1080
Frame rate	up to 30fps @1080p

DIMENSIONS



WDL-1900PVM-IP

19" IP Public View Monitor



FEATURES

- High quality and cost-effective
- LED backlight
- Built-in WDR full HD camera (1920 × 1080 FHD)
- Supported OSD (On screen display) and control button
- OSD lockout
- IR remote control
- Indication LED - recording state
- 3D comb. filter
- 3D video noise reduction
- 3D motion adaptive deinterlacer
- 10/100 Mbps Ethernet, RJ-45
- Supported ONVIF profile S/version 2.2
- 8 clients monitoring at the same time
- Auto power ON and source recovery
- In/out connector location - top side
- VESA wall mount - 100 × 100
- 4 cameras (1 × IP camera, 3 × analog cameras) switchable on screen by defined a dwell time
- Logo or video clip switchable on screen by defined a dwell time
- Mask off unused channels
- Changeable logo clip / video clip (SD memory)
- 'Recording in progress' message display at the bottom of screen
- Changeable message (size and color) by OSD menu
- Update IP module firmware over network
- Media player function

Networking	
Interface	10/100 Mbps Ethernet, RJ-45
ONVIF	PROFILE S / version 2.2 support
Protocols	IPv4, TCP/IP, HTTP, HTTPS, UPnP, BONJOUR RTP/RTSP, SMTP, FTP, DHCP, NTP, DNS, DDNS, SNMP
Users	8 clients monitoring at the same time
Connectors	
Video input	NTSC/PAL multi(BNC 75Ω) / D-SUB15P / DVI-D / HDMI connector
Video output	CVBS (BNC)
Power	
Power input	DC 12V / 5A
Power consumption	T.B.D
Power (camera)	12V / 5A (for external camera)
Environmental	
Operating temperature	0°C ~ +50°C (+32°F ~ +122°F)
Humidity	10~50% RH, non condensing
Dimensions	
Dimensions	438.0(W) × 384.0(H) × 63.2(D)(mm)
Weight	T.B.D

WDL-2700PVM-IP

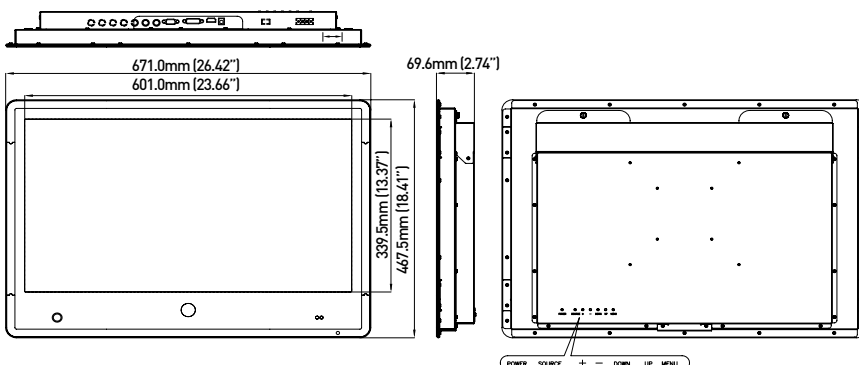
27" IP Public View Monitor



SPECIFICATION

Display	
Screen size	27"
Resolution	1920 × 1080
Brightness	300cd/m ²
Viewing angle	170(H) × 178(V)
Contrast ratio	1200:1
Aspect ratio	16:9
Response time	5ms (max 8ms)
Camera	
Image sensor	1/2.8" SONY 2.38M progressive C-MOS
Lens	DC auto IRIS 2.8 ~ 12mm vari-focal
Active pixel	1920(H) x 1080(V)
Frame rate	30fps
Backlight compensation	WDR [HDR]
Video	
Compression	H.264 @HP, MJPEG
Streaming	Simultaneous multiple streams H.264 streaming over, UDP,TCP,HTTP or HTTPS MJPEG streaming over HTTP or HTTPS
Resolution	1920 × 1080
Frame rate	up to 30fps @1080p
Networking	
Interface	10/100 Mbps Ethernet, RJ-45
ONVIF	PROFILE S / version 2.2 support
Protocols	IPv4, TCP/IP, HTTP, HTTPS, UPnP, BONJOUR RTP/RTSP, SMTP, FTP, DHCP, NTP, DNS, DDNS, SNMP
Users	8 clients monitoring at the same time
Security	Multi-level user access with password protection IP address filtering HTTPS encrypted data transmission
Firmware	Supports firmware upgrade
Dual booting	Support for firmware recovery
Factory reset	Restores to factory default settings
Operation system	Embedded linux

DIMENSIONS



WDL-2700PVM-IP

27" IP Public View Monitor



FEATURES

- High quality and cost-effective
- LED backlight
- Built-in WDR full HD camera (1920 × 1080 FHD)
- Supported OSD (On screen display) and control button
- OSD lockout
- IR remote control
- Indication LED - recording state
- 3D comb. filter
- 3D video noise reduction
- 3D motion adaptive deinterlacer
- 10/100 Mbps Ethernet, RJ-45
- Supported ONVIF profile S/version 2.2
- 8 clients monitoring at the same time
- Auto power ON and source recovery
- In/out connector location - top side
- VESA wall mount - 100 × 100, 200 × 200
- 4 cameras (1 × IP camera, 3 × analog cameras) switchable on screen by defined a dwell time
- Logo or video clip switchable on screen by defined a dwell time
- Mask off unused channels
- Changeable logo clip / video clip (SD memory)
- 'Recording in progress' message display at the bottom of screen
- Changeable message (size and color) by OSD menu
- Update IP module firmware over network
- Media player function

Video Input/Output	
Video input	NTSC/PAL multi(BNC 75Ω) / D-SUB15P / DVI-D / HDMI connector
Video output	CVBS (BNC)
Power	
Power input	DC 24V (MIN_2.5A)
Power consumption	Max 39W
Power (camera)	12V / 0.5A (for external camera)
Environmental	
Operating temperature	0°C ~ +50°C (+32°F ~ +122°F)
Humidity	10~50% RH, non condensing
Dimensions	
Dimensions	671.0(W) × 467.5(H) × 69.6(D)(mm)
Weight	T.B.D