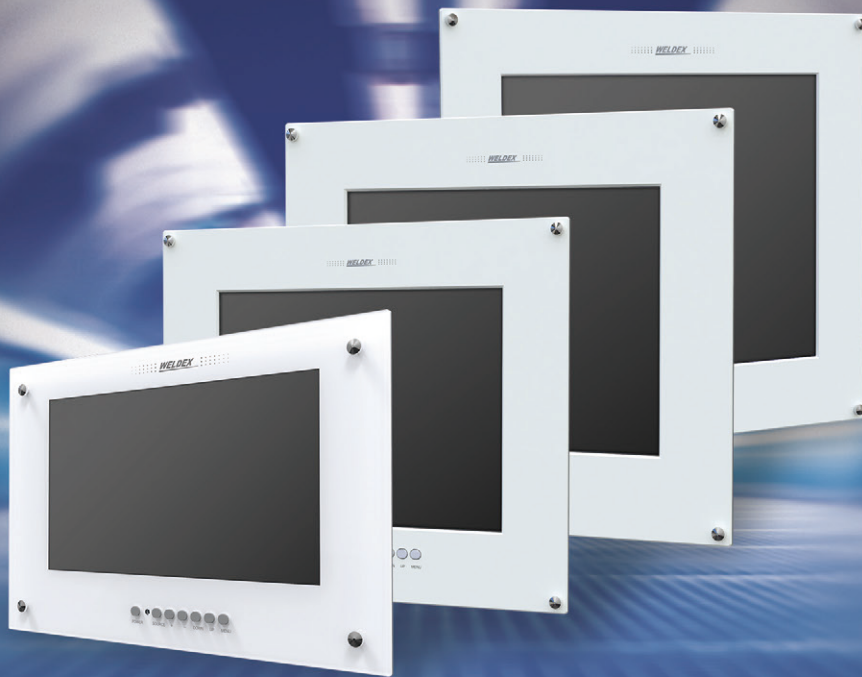


Flush Mount LCD Monitors



WELDEX
CORPORATION

WDL-6400MFM

6.4" Flush Mount LCD Monitor



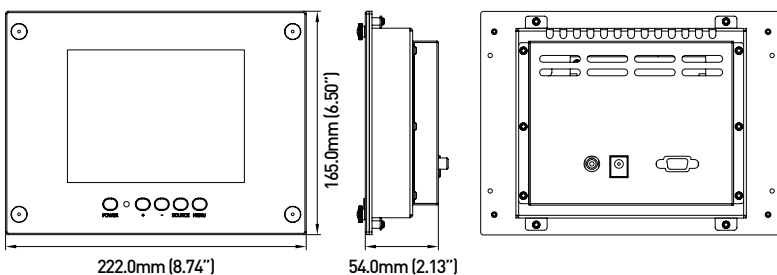
SPECIFICATION

Display	
Screen size	6.5" (diagonal)
Viewing size	132.48(H) × 99.36(V)(mm)
Resolution	640(H) × 480(V)
Brightness	700cd/m ²
Viewing angle	Up : 70° / Down : 70° / Right : 80° / Left : 80°
Contrast ratio	600:1
Display colors	262K colors
Pixel format	RGB stripe
Interface	Digital 6bit
System compatibility	NTSC / PAL / SECAM / auto
Plug & play support	VESA DDC 1/2B
Pixel pitch	0.207(H) × 0.207(V)(mm)
Response time	35ms
Input	
Video input	D-SUB 15P, RCA Video
Power	
Input	DC 12V
Power consumption	Normal mode : 10W (max), DPMS mode : < 4W
Power supply	Input : AC 100~240V, 50~60Hz / Output : DC 12V, 5.0A
Environmental	
Operating temperature	0°C ~ +50°C (+32°F ~ +122°F)
Storage temperature	-20°C ~ +60°C (-4°F ~ +140°F)
Operating humidity	30%~60%
Dimensions	
Dimensions	222.0(W) × 165.0(H) × 54.0(D)(mm)
Weight	907.18g

FEATURES

- Thin cross section - less than 2.5" deep panel
- On-screen menu display for feature and video adjustments
- Power supply included

DIMENSIONS



STANDARD LCD MONITORS
ANALOG PUBLIC VIEW MONITORS WITH BUILT-IN DVR
ANALOG PUBLIC VIEW MONITORS
IP PUBLIC VIEW MONITORS
SUNLIGHT VIEWABLE LCD MONITORS
TOUCH SCREEN LCD MONITORS
FLUSH MOUNT LCD MONITORS
RACK MOUNTABLE LCD MONITORS

WDL-8400MFM

8.4" Flush Mount LCD Monitor



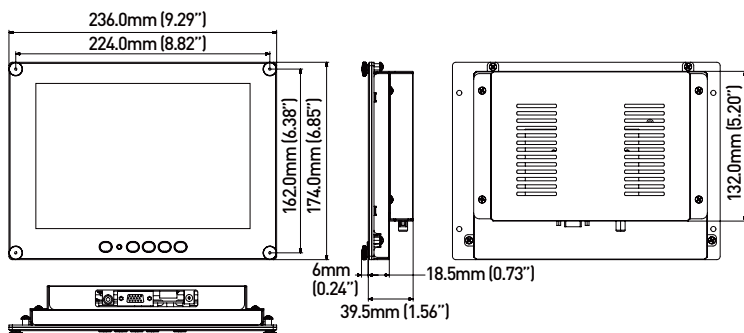
SPECIFICATION

Display	
Screen size	8.4" (diagonal)
Resolution	800(H) × 600(V)
Brightness	250cd/m ²
Viewing angle	Up : 80° / Down : 60° / Right : 80° / Left : 80°
Contrast ratio	600:1
Display colors	262K colors
System compatibility	PC : VESA standard VGA to SVGA 60Hz Video : NTSC, PAL, SECAM (auto detection)
Plug & play support	DDC 1/2B
Frequency	Horizontal : 28.5 ~ 37KHz / Vertical : 56~60Hz
OSD controls	Auto adjust, brightness & contrast, size & position, color control, language selection, OSD position, video control, input selection
Wall mounting	Yes
Input	
Video input	D-SUB 15P, S-VHS, RCA Video, HDMI
Power	
Power management	VESA DPMS
Power consumption	Normal mode : T.B.D, DPMS mode : < 4W
Power supply	Input : AC 100~240V, 50~60Hz / Output : DC 12V, 5.0A
Environmental	
Operating temperature	0°C ~ +50°C (+32°F ~ +122°F)
Storage temperature	-20°C ~ +60°C (-4°F ~ +140°F)
Operating humidity	30%~60%
Storage humidity	5%~70%
Dimensions	
Dimensions	236.0(W) × 174.0(H) × 39.5(D)(mm)
Weight	T.B.D

FEATURES

On-screen menu display for feature and video adjustments

DIMENSIONS



WDL-1040MFM

10.4" Flush Mount LCD Monitor



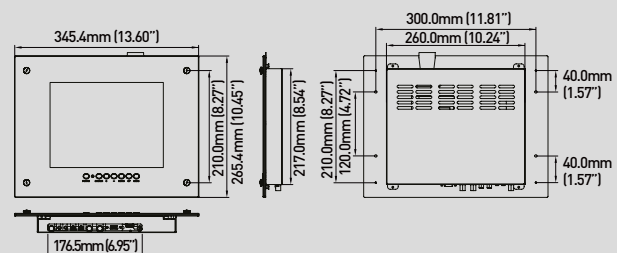
SPECIFICATION

Display	
Screen size	10.4" (diagonal)
Viewing size	211.2(W) × 158.4(H)(mm)
Resolution	SVGA 800(H) × 600(V)
Brightness	300cd/m ²
Viewing angle	Up : 50° / Down : 60° / Right : 75° / Left : 75°
Contrast ratio	500:1
Display colors	16.7M colors
Pixel format	RGB stripe
System compatibility	NTSC / PAL / SECAM / auto
Plug & play support	VESA DDC 1/2/B
Pixel pitch	0.264(H) × 0.264(V)(mm)
Response time	30ms
Wall mounting	Yes
Video/Audio input	
Video input	D-SUB 15P, HDMI, Video 1, 2 BNC
Audio input	RCA, Ø3.5 Stereo phone jack
Video/Audio output	
Video output	BNC Video Monitor output
Audio output	Ø3.5 Stereo phone jack Audio Lineout
Power	
Input	DC 12V
Power management	30W, saving mode : 5W
Power consumption	Input : AC 100~240V, 50~60Hz / Output : DC 12V, 3~4A
Power supply	48W, saving mode : 5W
Environmental	
Operating temperature	-10°C ~ +50°C (+14°F ~ +122°F)
Storage temperature	-20°C ~ +70°C (-22°F ~ +158°F)
Operating humidity	30%~60%
Storage humidity	5%~70%
Dimensions	
Dimensions	345.4(W) × 265.4(H) × 36.0(D)(mm)
Weight	1.17kg (net weight)

FEATURES

- On-screen menu display for feature and video adjustments
- Power supply included

DIMENSIONS



WDL-1330MFM

13.3" Flush Mount LCD Monitor



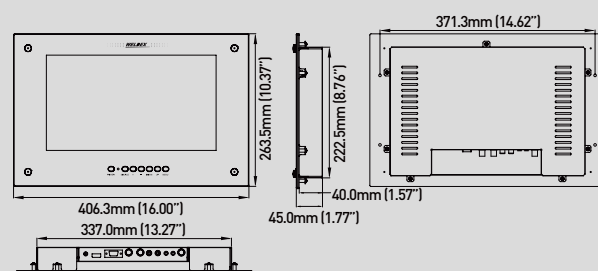
SPECIFICATION

Display	
Screen size	13.3" (diagonal)
Viewing size	293.42(H) × 164.97(V)(mm)
Resolution	1366(H) × 768(V)
Brightness	250cd/m ²
Viewing angle	90°(H), 50°(V)
Contrast ratio	400:1
Display colors	262K colors
Pixel format	RGB vertical strip
System compatibility	PC : VESA standard VGA to XGA 60Hz Video : NTSC / PAL / SECAM (auto detection)
Plug & play support	DDC 1/2B
Pixel pitch	0.2148(H) × 0.2148(V)(mm)
Response time	8ms
Frequency	Horizontal : 31.5~37.5KHz / Vertical : 56~60Hz
OSD controls	Auto adjust, brightness & contrast, size & position, color control, language selection, OSD position, video control, input selection
Wall mounting	Yes
Video/Audio Input	
Video input	D-SUB 15P, HDMI, Video 1, 2 BNC
Audio input	RCA, Ø3.5 Stereo phone jack
Video/Audio Output	
Video output	BNC Video Monitor output
Audio output	Ø3.5 Stereo phone jack Audio Lineout
Power	
Input	DC 12V
Power management	VESA DPMS
Power consumption	Normal mode : T.B.D / DPMS mode : < 4W
Power supply	Input : AC 100~240V, 50~60Hz / Output : DC 12V, 4A
Environmental	
Operating temperature	0°C ~ +50°C (+32°F ~ +122°F)
Storage temperature	-20°C ~ +60°C (-4°F ~ +140°F)
Operating humidity	30%~60%
Storage humidity	5%~70%
Dimensions	
Dimensions	406.3(W) × 263.5(H) × 45.0(D)(mm)
Weight	907.18g

FEATURES

- LED Backlight
- Indication LED
- 3D Comb. filter
- 3D motion adaptive deinterlacer
- On-screen menu display for feature and video adjustments
- Power supply included

DIMENSIONS



WDL-1500MFM

15" Flush Mount LCD Monitor



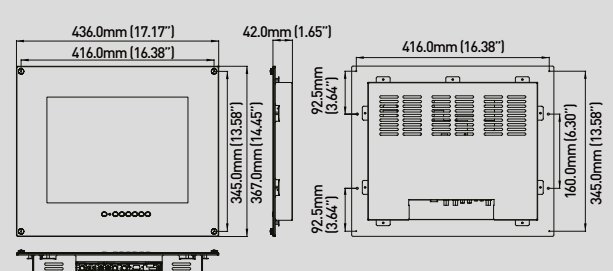
SPECIFICATION

Display	
Screen size	15" (diagonal)
Viewing size	304.13(H) × 228.1(V)(mm)
Resolution	1024(H) × 768(V)
Brightness	250cd/m ²
Viewing angle	150°(V), 160°(H)
Contrast ratio	700:1
Display colors	16.7M colors
Pixel format	RGB vertical strip
System compatibility	PC : VESA standard VGA to XGA 60Hz Video : NTSC / PAL / SECAM (auto detection)
Plug & play support	DDC 1/2B
Pixel pitch	0.297(H) × 0.297(V)(mm)
Response time	8ms
Frequency	Horizontal : 31.5~37.5KHz / Vertical : 56~75Hz
OSD controls	Auto adjust, brightness & contrast, size & positon, color control, language selection, OSD position, video control, input selection
Wall mounting	Yes
Video/Audio Input	
Video input	D-SUB 15P, HDMI, Video 1, 2 BNC
Audio input	RCA, Ø3.5 Stereo phone jack
Video/Audio Output	
Video output	BNC Video Monitor output
Audio output	Ø3.5 Stereo phone jack Audio Lineout
Power	
Input	DC 12V
Power management	VESA DPMS
Power consumption	Normal mode : T.B.D / DPMS mode : < 4W
Power supply	Input : AC 100~240V, 50~60Hz / Output : DC 12V, 5.0A
Environmental	
Operating temperature	0°C ~ +50°C (+32°F ~ +122°F)
Storage temperature	-20°C ~ +60°C (-4°F ~ +140°F)
Operating humidity	30%~60%
Storage humidity	5%~70%
Dimensions	
Dimensions	436.0(W) × 367.0(H) × 42.0(D)(mm)
Weight	T.B.D

FEATURES

- On-screen menu display for feature and video adjustments
- Power supply included

DIMENSIONS



WDL-1700MFM

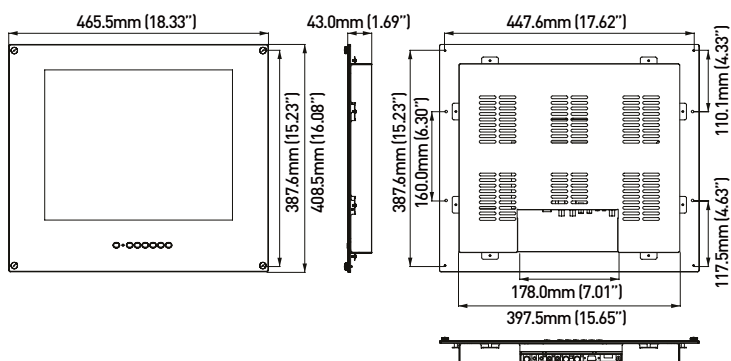
17" Flush Mount LCD Monitor



SPECIFICATION

Display	
Screen size	17" (diagonal)
Resolution	1280(H) × 1024(V)
Brightness	250cd/m ²
Viewing angle	Up : 80° / Down : 80° / Right : 85° / Left : 85°
Contrast ratio	1000:1
Display colors	16.7M colors
System compatibility	PC : VESA standard VGA to SXGA 60Hz Video : NTSC / PAL / SECAM (auto detection)
Plug & play support	DDC 1/2B
Wall mounting	Yes
Video/Audio Input	
Video input	D-SUB 15P, HDMI, Video 1, 2 BNC
Audio input	RCA, Ø3.5 Stereo phone jack
Video/Audio Output	
Video output	BNC Video Monitor output
Audio output	Ø3.5 Stereo phone jack Audio Lineout
Power	
Input	DC 12V
Power management	VESA DPMS
Power consumption	Normal mode : T.B.D / DPMS mode : < 4W
Power supply	Input : AC 100~240V, 50~60Hz / Output : DC 12V, 5.0A
Environmental	
Operating temperature	0°C ~ +50°C (+32°F ~ +122°F)
Storage temperature	-20°C ~ +60°C (-4°F ~ +140°F)
Operating humidity	30%~60%
Storage humidity	5%~70%
Dimensions	
Dimensions	465.5(W) × 408.5(H) × 43.0(D)(mm)
Weight	T.B.D

DIMENSIONS



FEATURES

On-screen menu display for feature and video adjustments

Power supply included

WDL-1900MFM

19" Flush Mount LCD Monitor



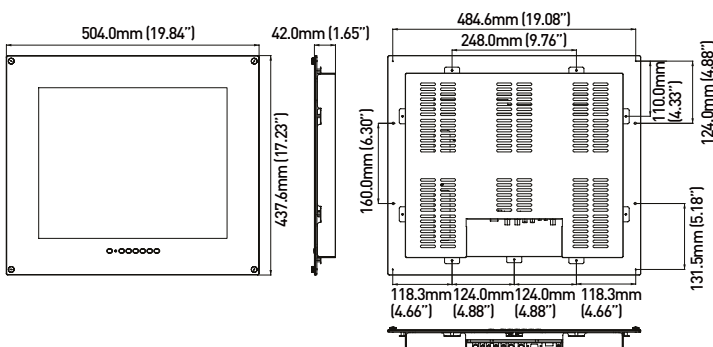
SPECIFICATION

Display	
Screen size	19" (diagonal)
Resolution	1280(H) × 1024(V)
Brightness	250cd/m ²
Viewing angle	Up : 80° / Down : 80° / Right : 85° / Left : 85°
Contrast ratio	1000:1
Display colors	16.7M colors
System compatibility	PC : VESA standard VGA to SXGA 60Hz Video : NTSC / PAL / SECAM (auto detection)
Plug & play support	DDC 1/2B
Wall mounting	Yes
Video/Audio Input	
Video input	D-SUB 15P, HDMI, Video 1, 2 BNC
Audio input	RCA, Ø3.5 Stereo phone jack
Video/Audio Output	
Video output	BNC Video Monitor output
Audio output	Ø3.5 Stereo phone jack Audio Lineout
Power	
Input	DC 12V
Power management	VESA DPMS
Power consumption	Normal mode : T.B.D / DPMS mode : < 4W
Power supply	Input : AC 100~240V, 50~60Hz / Output : DC 12V, 5.0A
Environmental	
Operating temperature	0°C ~ +50°C (+32°F ~ +122°F)
Storage temperature	-20°C ~ +60°C (-4°F ~ +140°F)
Operating humidity	30%~60%
Storage humidity	5%~70%
Dimensions	
Dimensions	504.0(W) × 437.6(H) × 42.0(D)(mm)
Weight	T.B.D

FEATURES

- On-screen menu display for feature and video adjustments
- Power supply included

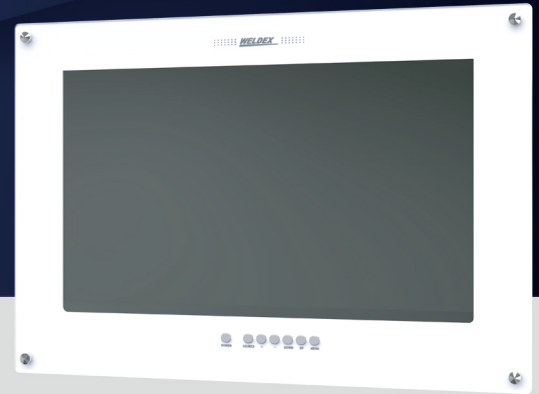
DIMENSIONS



STANDARD LCD MONITORS
ANALOG PUBLIC VIEW MONITORS WITH BUILT-IN DVR
ANALOG PUBLIC VIEW MONITORS
IP PUBLIC VIEW MONITORS
SUNLIGHT VIEWABLE LCD MONITORS
TOUCH SCREEN LCD MONITORS
FLUSH MOUNT LCD MONITORS
RACK MOUNTABLE LCD MONITORS

WDL-1980MFM

19.53" Flush mount LCD Monitor



SPECIFICATION

Display	
Screen size	19.53" (diagonal)
Resolution	1920(H) × 1080(V), 16:9 Full HD LCD
Brightness	450cd/m ²
Contrast ratio	3000:1
Display colors	16.7M colors
System compatibility	PC : VESA standard VGA to XGA 60Hz Video : NTSC, PAL, SECAM (auto detection)
Frequency	Horizontal : 31.5 ~ 75KHz / Vertical : 56 ~ 75Hz
OSD controls	Auto adjust, brightness & contrast, size & position, color control, language selection, OSD position, video control, input selection
Plug & Play support	DDC 1/2B
Input	
Input signal	Analog RGB, HDMI, CVBS
Input connectors	D-sub for RGB, HDMI, BNC / RCA for CVBS
Power	
Power management	VESA DPMS
Power consumption	Normal mode : T.B.D, DPMS mode : < 4W
Power supply	Input : AC 100~240V, 50~60Hz / Output : DC 12V, 5A
Environmental	
Operating Temperature	Operating : 0°C ~ 50°C (+32°F ~ +122°F) Storage : -20°C ~ 60°C (-4°F ~ +140°F)
Operating Humidity	Operating : 10% ~ 60% / Storage : 10% ~ 70%
Dimensions	
Dimensions	550.5(W) x 368.1(H) x 44.5(D)(mm)

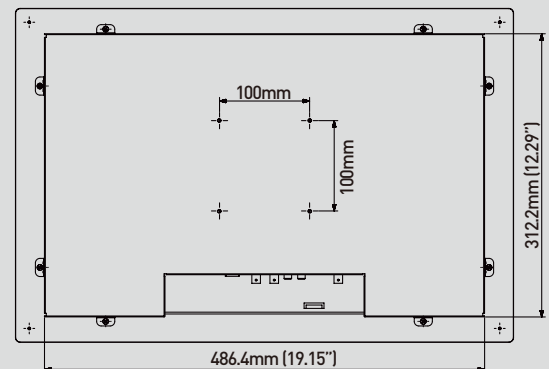
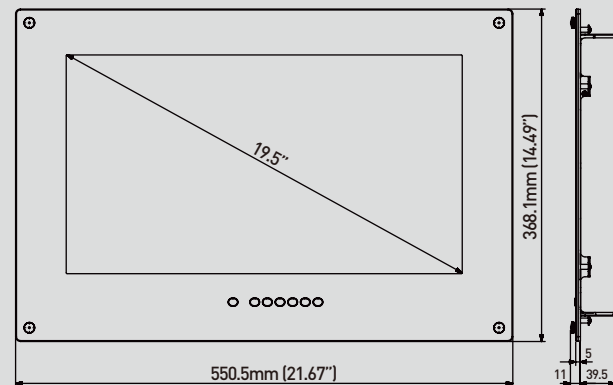
OSD BUTTON OPERATION

Button	Description
Power button	Monitor power on / off
Video source	Switch from HDMI, VGA, CVBS input signal
Increase / Decrease	Increase / Decrease value of volume adjustment. Select the OSD sub item & change value of OSD sub item
Up / Down	Increase / Decrease the value of brightness adjustment. Select the function icon (highlighted icon) and sub item on GUI
Menu	Pop-up OSD menu & OSD menu exit

FEATURES

- High resolution 1920 × 1080 (16:9)
- 16.7M colors for true color rendition
- Multiple inputs - composite video, D-sub, HDMI
- Contrast ratio of 3000:1
- Wide viewing angle
- On-screen menu display for feature and video adjustments
- Power supply included

DIMENSIONS



WDL-1580MFM

15.6" Flush Mount LCD Monitor



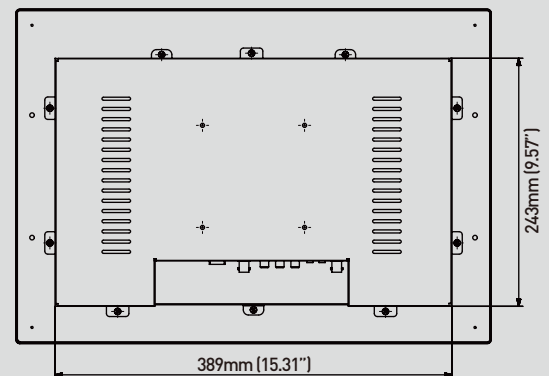
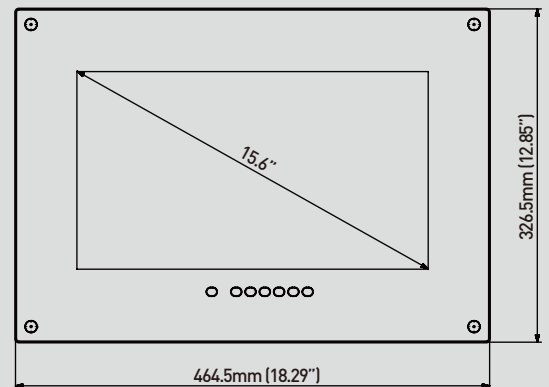
SPECIFICATION

Display	
Screen size	15.6" (diagonal)
Resolution	1920(H) × 1080(V), 16:9 Full HD LCD
Brightness	400cd/m ²
Contrast ratio	700:1
Display colors	16.7M colors
System compatibility	PC : VESA standard VGA to XGA 60Hz Video : NTSC, PAL, SECAM (auto detection)
Frequency	Horizontal : 31.5 ~ 75KHz / Vertical : 56 ~ 75Hz
OSD controls	Auto adjust, brightness & contrast, size & position, color control, language selection, OSD position, video control, input selection
Plug & Play support	DDC 1/2B
Input	
Input signal	Analog RGB, HDMI, CVBS
Input connectors	D-sub for RGB, HDMI, BNC / RCA for CVBS
Power	
Power management	VESA DPMS
Power consumption	Normal mode : T.B.D, DPMS mode : < 4W
Power supply	Input : AC 100~240V, 50~60Hz / Output : DC 12V, 5A
Environmental	
Operating Temperature	Operating : -10°C ~ 70°C (+14°F ~ +158°F) Storage : -20°C ~ 70°C (-4°F ~ +158°F)
Operating Humidity	Operating : 10% ~ 60% / Storage : 10% ~ 70%
Dimensions	
Dimensions	464.5(W) x 326.5(H) x 44.3(D)(mm)

FEATURES

- High resolution 1920 × 1080 (16:9)
- 16.7M colors for true color rendition
- Multiple inputs - composite video, D-sub, HDMI
- Contrast ratio of 700:1
- Wide viewing angle
- On-screen menu display for feature and video adjustments
- Power supply included

DIMENSIONS



OSD BUTTON OPERATION

Button	Description
Power button	Monitor power on / off
Video source	Switch from HDMI, VGA, CVBS input signal
Increase / Decrease	Increase / Decrease value of volume adjustment. Select the OSD sub item & change value of OSD sub item
Up / Down	Increase / Decrease the value of brightness adjustment. Select the function icon (highlighted icon) and sub item on GUI
Menu	Pop-up OSD menu & OSD menu exit

STANDARD LCD MONITORS
ANALOG PUBLIC VIEW MONITORS WITH BUILT-IN DVR
ANALOG PUBLIC VIEW MONITORS
IP PUBLIC VIEW MONITORS
SUNLIGHT VIEWABLE LCD MONITORS
TOUCH SCREEN LCD MONITORS
FLUSH MOUNT LCD MONITORS
RACK MOUNTABLE LCD MONITORS

WDL-19HD20

19.5" Flush Mount LCD Monitor



SPECIFICATION

Display	
Screen size	19.5" (diagonal)
Resolution	1920(H) × 1080(V), 16:9 Full HD LCD
Brightness	250cd/m ²
Contrast ratio	1000:1
Display colors	16.7M colors
System compatibility	PC : VESA standard VGA to XGA 60Hz Video : NTSC, PAL, SECAM (auto detection)
Frequency	Horizontal : 31.5 ~ 75KHz / Vertical : 56 ~ 75Hz
OSD controls	Auto adjust, brightness & contrast, size & position, color control, language selection, OSD position, video control, input selection
Plug & Play support	DDC 1/2B
Input	
Input signal	Analog RGB, HDMI, CVBS
Input connectors	D-sub for RGB, HDMI, BNC / RCA for CVBS
Output speaker	Max 1.5W × 2
Power	
Power management	VESA DPMS
Power consumption	Normal mode : T.B.D, DPMS mode : < 4W
Power supply	Input : AC 100~240V, 50~60Hz / Output : DC 12V, 5A
Environmental	
Operating Temperature	Operating : 0°C ~ 50°C (32°F ~ 122°F) Storage : -20°C ~ 60°C (-4°F ~ +140°F)
Operating Humidity	Operating : 10% ~ 60% / Storage : 10% ~ 70%
Dimensions	
Dimensions	500(W) x 283(H) x 45.8(D)(mm)

OSD BUTTON OPERATION

Button	Description
Power button	Monitor power on / off
Video source	Switch from HDMI, VGA, CVBS input signal
Increase / Decrease	Increase / Decrease value of volume adjustment.
Up / Down	Select the OSD sub item & change value of OSD sub item
Menu	Increase / Decrease the value of brightness adjustment. Select the function icon (highlighted icon) and sub item on GUI
Menu	Pop-up OSD menu & OSD menu exit

FEATURES

- High resolution 1920 × 1080 (16:9)
- 16.7M colors for true color rendition
- Multiple inputs - composite video, D-sub, HDMI
- Contrast ratio of 1000:1
- Wide viewing angle
- On-screen menu display for feature and video adjustments
- Power supply included
- Speaker
- Remote Control

DIMENSIONS

