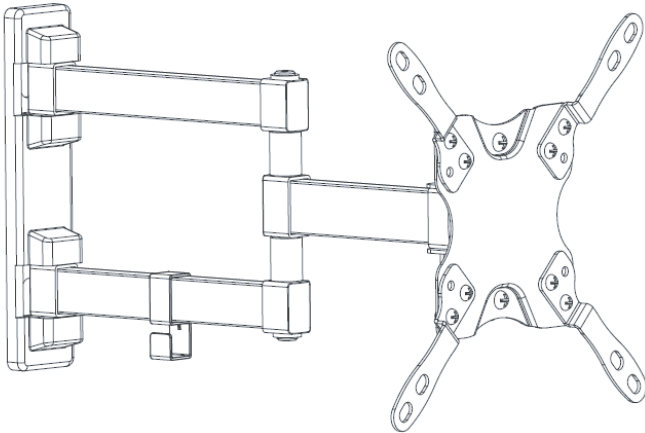




DRIVING VISUAL INNOVATION

Wall Mount

Instruction Manual



MODEL : VZ-AM02-A



sales@viewzusa.com



www.ViewZUSA.com

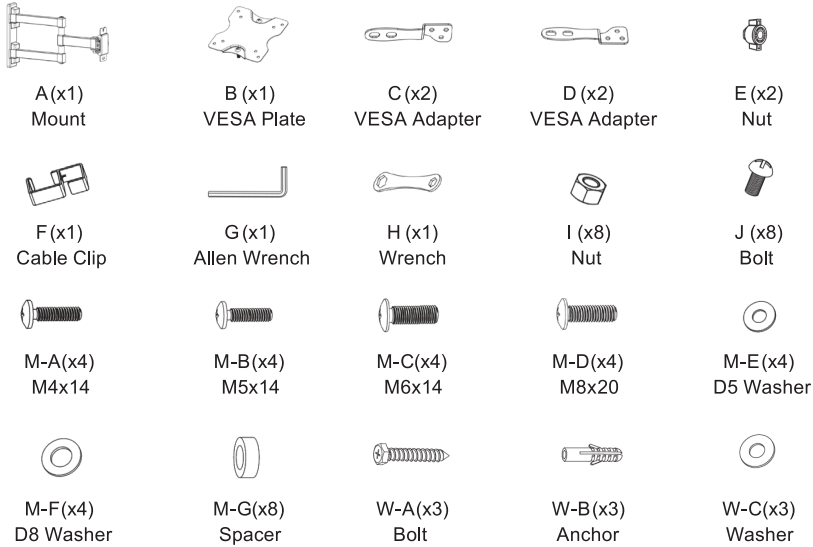


1-714-996-1177

⚠ WARNING!

If you do not understand these directions, or if you have any doubts about the safety of the installation, please call a qualified technician. Check carefully to make sure there are no missing or defective parts. Improper installation may cause damage or serious injury. Do not use this product for any purpose that is not explicitly specified in this manual. Do not exceed weight capacity. We cannot be liable for damage or injury caused by improper mounting, incorrect assembly or inappropriate use.

PACKAGE CONTENTS



NOTE: NOT ALL HARDWARE INCLUDED WILL BE USED

⚠ CAUTION!

DO NOT INSTALL INTO DRYWALL ALONE. VERIFY YOUR WALL CONSTRUCTION. USE WOOD STUDS TO MOUNT. We include mounting for brick and concrete walls. If unsure, please contact us at viewzusa.com, email at techsupport@viewzusa.com, or call us at 1-714-996-1177

Required TOOLS



Drill



Phillips
Screwdriver

DO NOT EXCEED WEIGHT CAPACITY.

Failure to do so may result in serious injury.

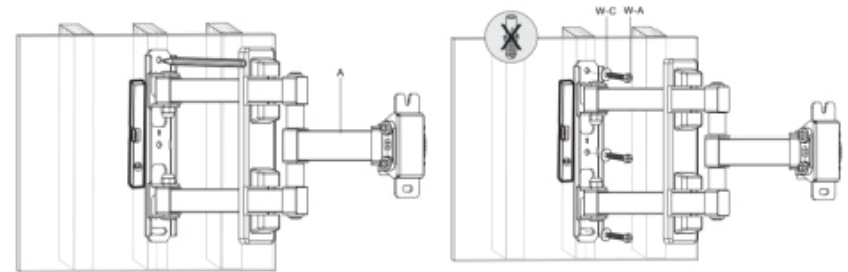


ASSEMBLY STEPS

STEP 1

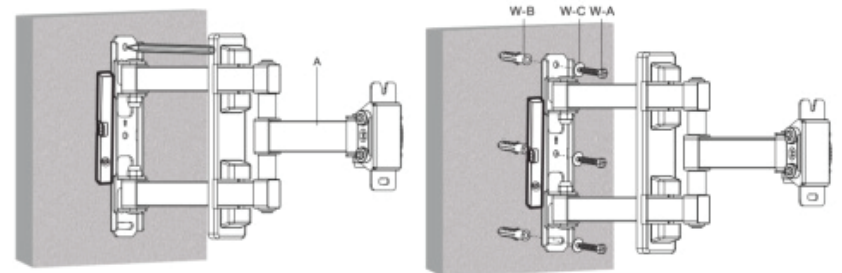
OPTION A: Wood Ceiling

Use mount (A) to mark mounting holes on wall where stud is located. Using a 3/16" bit, drill approximately 2.2" into marked locations. Secure mount (A) to wall using bolts (W-A) and washers (W-C).



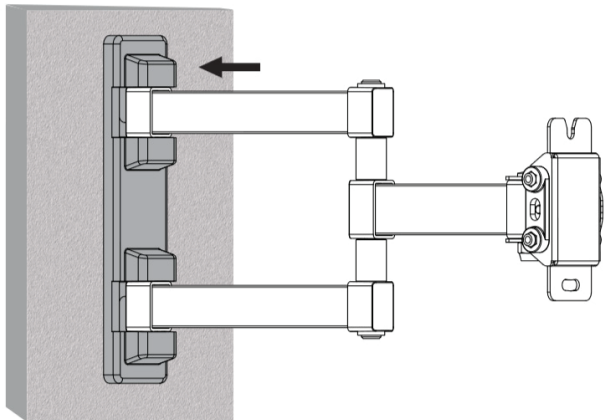
OPTION B: Concrete Ceiling

Use mount (A) to mark mounting holes on wall. Using a 3/8" bit, drill approximately 2.4" into marked locations. Secure mount (A) to wall using anchors (W-B) bolts (W-A) and washers (W-C).



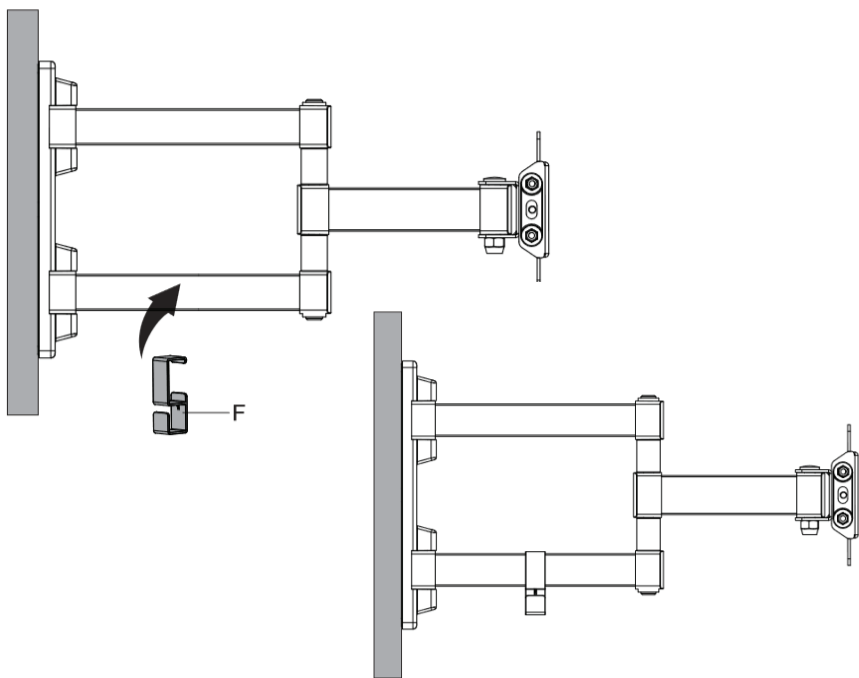
STEP 2

Attach plastic cover to mount (A).



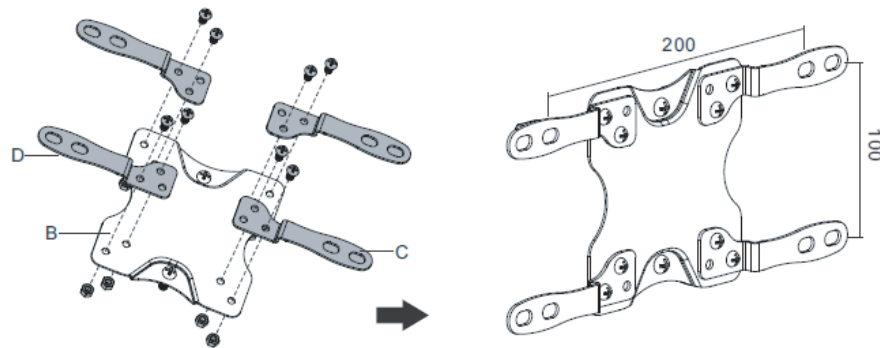
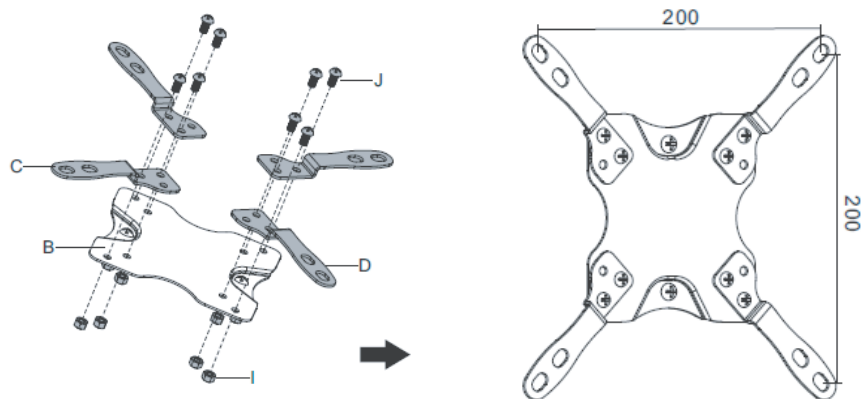
STEP 3

Attach cable management clip (F) as shown in diagram.



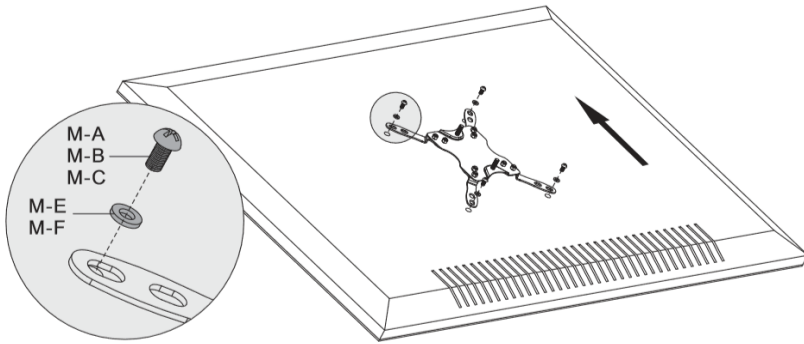
STEP 4

Mount VESA adapters (C) and (D) to VESA plate (B) using bolts (J) and nuts (I) in the appropriate configuration to match your television's mounting holes.

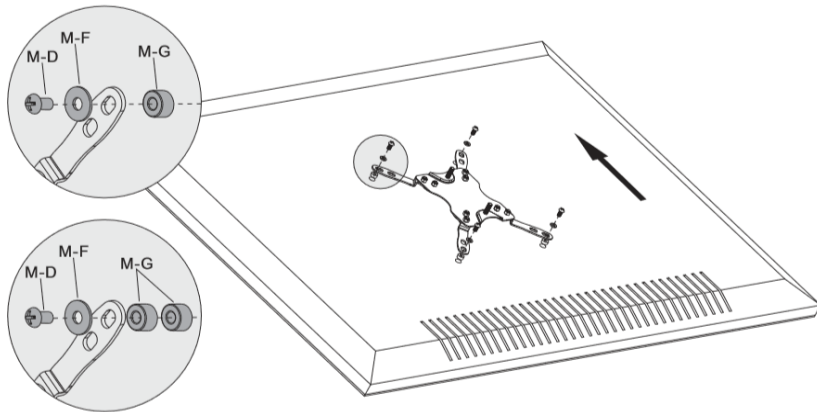


STEP 5

After placing monitor on a flat surface, mount VESA plate (B) to back using bolts (M-A, M-B, or M-C) and washers (M-E or M-F).

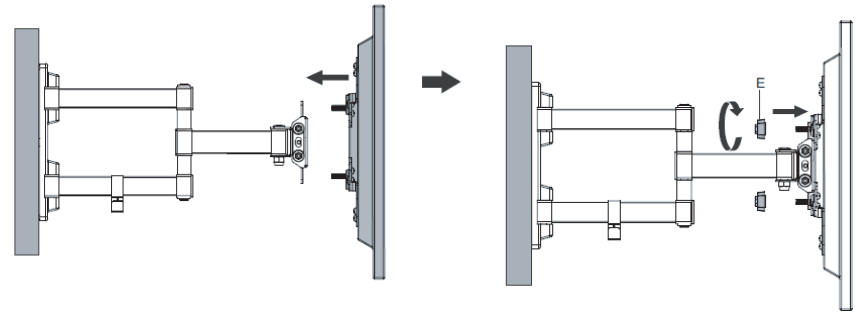


If bolts are too long, spacers (M-G) may be required.



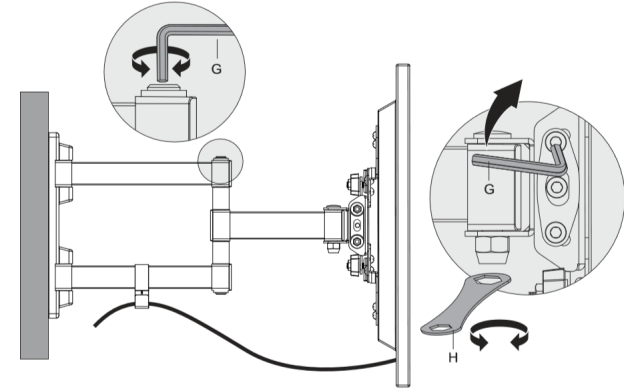
STEP 6

Attach monitor to mount (A) using nuts (E) as shown in diagram.



STEP 7

Adjust mount (A) using allen wrench (G) and wrench (H).



Adjust as desired

