

180° Swivel Adjustment

+5° ~ -12° Tilt Adjustment
VESA Compliant



+90° ~ -90° Pan Rotation



VZ-AM02-A ADVANTAGES

- Mounting head for 9" to 32" CCTV Monitors
- Load Capacity is 44 lbs / 20 kg
- 5° Tilt Up and 12° Tilt Down Adjustment along with 180° Pan Rotation For Achieving that Perfect Viewing Angle
- VESA Standard - 75x75, 100x100, 200x100 and 200x200

Designed specifically for

VZ-101RTC

VZ-17/19RTN

VZ-19/22/24CME

VZ-19/22/24/32CMP

VZ-19/22/24CMX

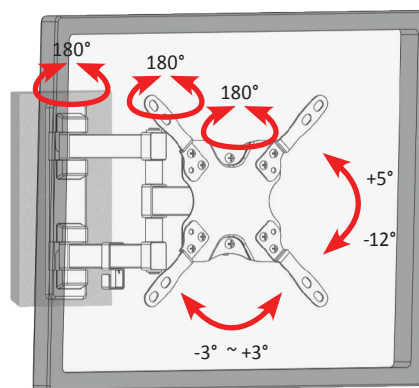
VZ-32IPM

VZ-24/27/32HX

VZ-PVM-I3W3/B3N

VZ-PVM-Z3W3/B3N

FEATURES

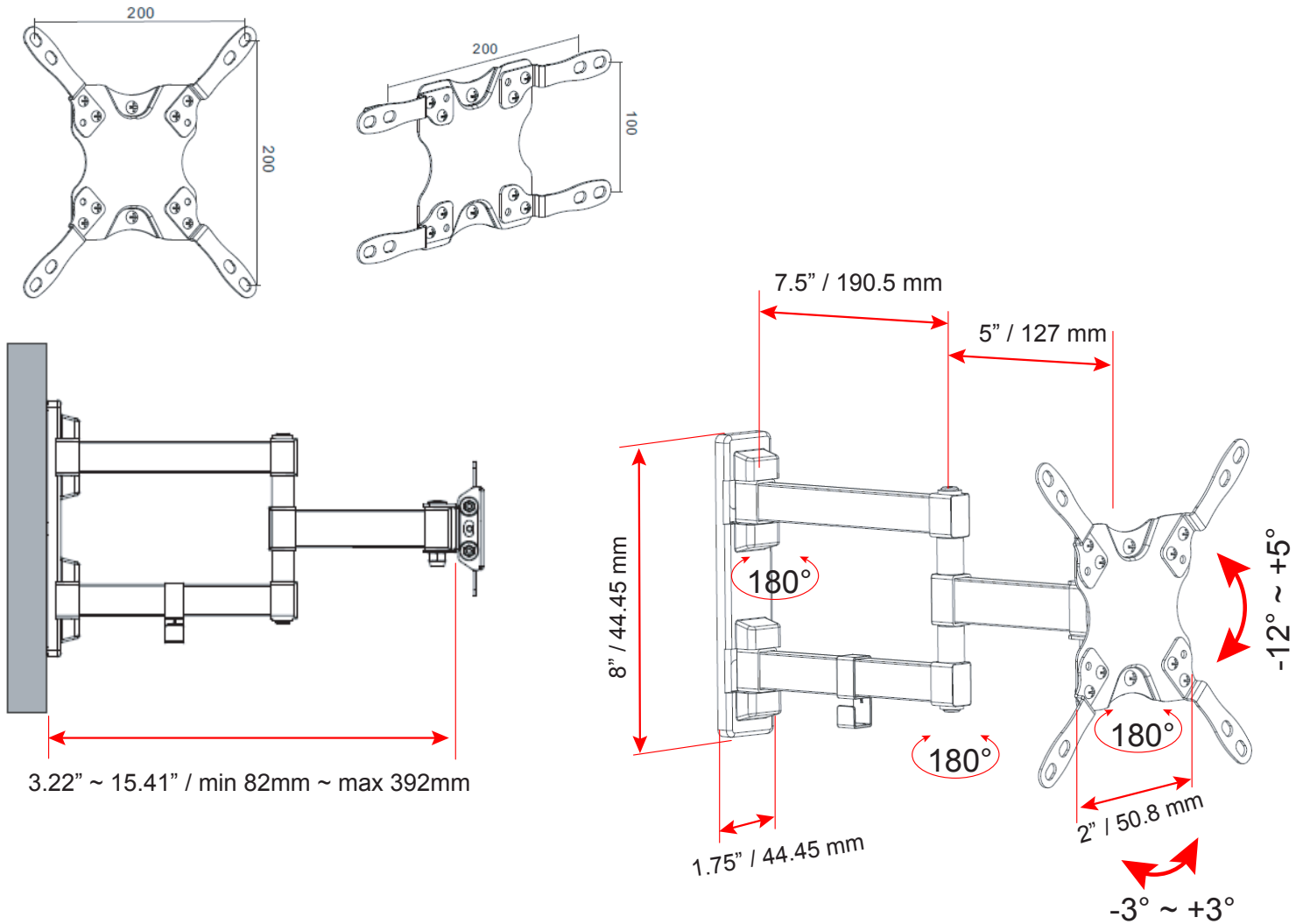


MODEL #	VZ-AM02-A
FEATURES	
Total Weight Capacity	44 lbs / 20 kg
Display Range	9" ~ 32"
Width	9.0" / 228.6 mm
Height	8.4" / 213.4 mm
Depth (Profile)	2.3" ~ 14" / 58.42 ~ 355.6 mm
Net Weight	4.5 lbs (2.04 kg)
PAN Rotation (Swivel)	± 90°
Tilt Capability	+5° ~ - 12°
Mounting Patterns Type	VESA
Mounting Patterns	75x75, 100x100, 200x100, 200x200

Contact ViewZ

- Address : 177 W. Orangethorpe Ave., Placentia, CA 92870
- Phone : (714) 996-1177, Fax : (714) 996-1138
- Sales : sales@viewzusa.com
- Specification subject to change without notice.

DIMENSIONS



Contact ViewZ

- Address : 177 W. Orangethorpe Ave., Placentia, CA 92870
- Phone : (714) 996-1177, Fax : (714) 996-1138
- Sales : sales@viewzusa.com
- Specification subject to change without notice.