

High Resolution Analog Tower Camera



Adjustable Height



Superior Facial Recognition

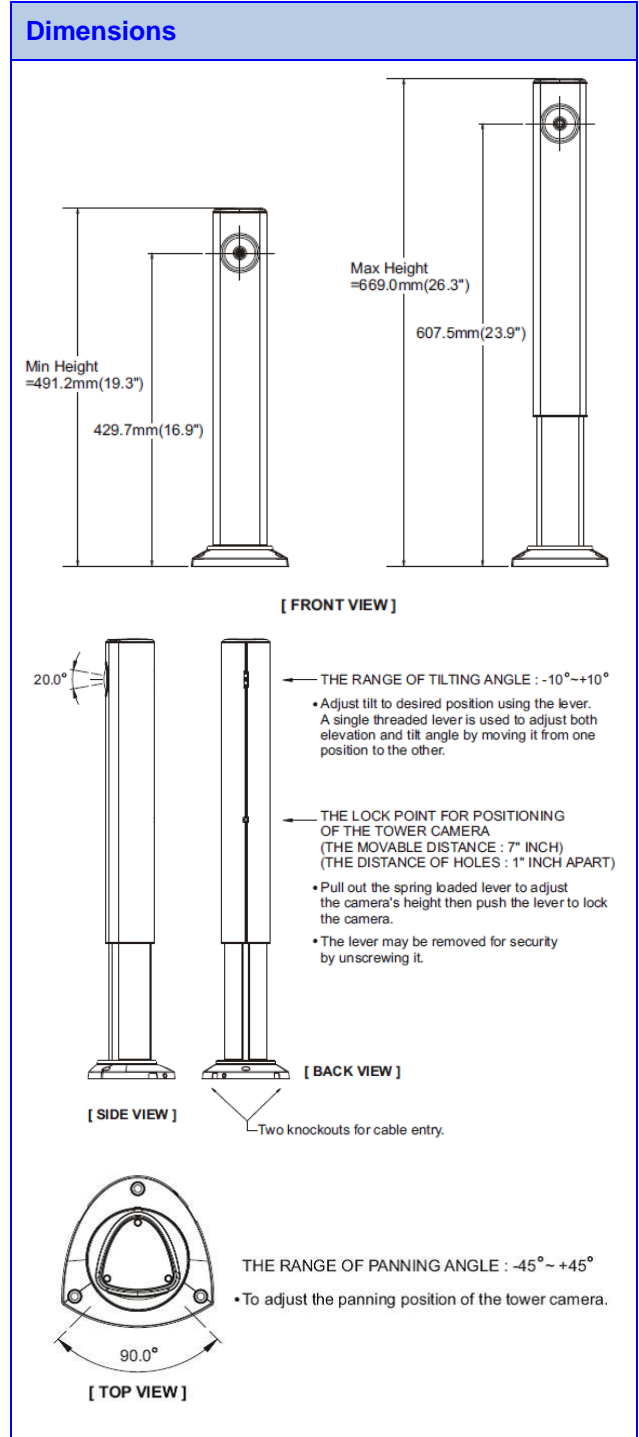
- High resolution 1/3" Pixim CMOS Seawolf technology
- 3.6mm fixed lens
- 690 HTVL-E resolution
- 0.8 Lux @ F1.2 50IRE sensitivity
- User adjustable height 19.3" ~ 26.3"
- 1" height interval to adjust the height (height control range 7")
- Adjustable lens tilting angle - 10° ~ 10°
- Adjustable base panning angle - 45° ~ 45°
- Wide Dynamic Range (WDR)
- Power requirements: DC12V (included)



CCC3602TBW Specifications

Model	Lens (mm)	Resolution
CCC3602TBW	3.6mm	690 HTVL-E

Power	
Power Source	DC12V
Power Consumption	170mA (2.0 Watts)
Sensor and General Information	
Image Sensor	1/3" Pixim CMOS
Lens	3.6mm fixed lens
Minimum Illumination	0.8 Lux (F1.2)
Resolution	690 HTVL-E
Total Pixels	768 H x 548 V
Scanning Frequency	15.73KHz H x 59.94KHz V
Electronic Shutter	1/25 ~ 1/30, 720 sec.
Video Output	1.0 Vp-p (75Ω Load)
Video S/N Ratio	> 50dB (AGC Off)
Camera Features	
AGC	Yes (Auto)
Auto Exposure	Yes
Day/Night	Yes
Digital Noise Reduction	Yes
Digital Slow Shutter	Yes
Wide Dynamic Range	Yes
White Balance	Yes
General Information	
Operating Temperature	14°F to 122°F (-10°C to 50°C)
Operating Humidity	96% RH Max
Weight	2.42lbs (1.1Kg)
Dimensions	2.9" W x 19.3~26.3" H Base 5.2" x 5.2"



Costar
VIDEO SYSTEMS

101 Wrangler, Suite 201 • Coppell, Texas 75019 • Phone: 469-635-6800 • Fax: 469-635-6822 • Toll Free: 1-888-694-STAR (7827)

www.costarvideo.com

Specifications and design are subject to change without notice. Conversions: 1" = 25.4mm Measurement conversions are approximate.