

## ▲ WARNING

ENG - This product is designed to be installed on wood stud. Hardware is included for wood stud installation. Before installing make sure the supporting surface will support the combined load of the equipment and hardware. Do not begin to install product until you have read and understood the instructions and warnings contained in this user guide. Screws must be tightly secured. Do not overtighten screws or damage can occur and product may fail. Always use an assistant or mechanical lifting equipment to safely lift and position equipment. This product is intended for indoor use only. Use of this product outdoors could lead to product failure or personal injury. To reduce the risk of electric shock or fire, do not expose product to water or moisture. Be sure power cord is routed so that it will not be tripped on, stepped on, or pinched by heavy items. Avoid overloading electrical outlets or extension cords. Always disconnect the power cord from the power outlet when installing, servicing, or not using the product for an extended period of time. Do not block ventilation slots or fan exhaust on product. Blocking airflow could damage product. Arrange product to allow air to flow freely around product. Keep product away from direct sunlight or any source of heat. For support please call 800-4-SIGNAGE.

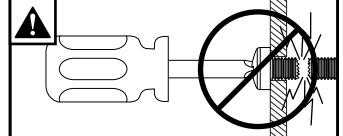
ENG Symbols



ENG WARNING

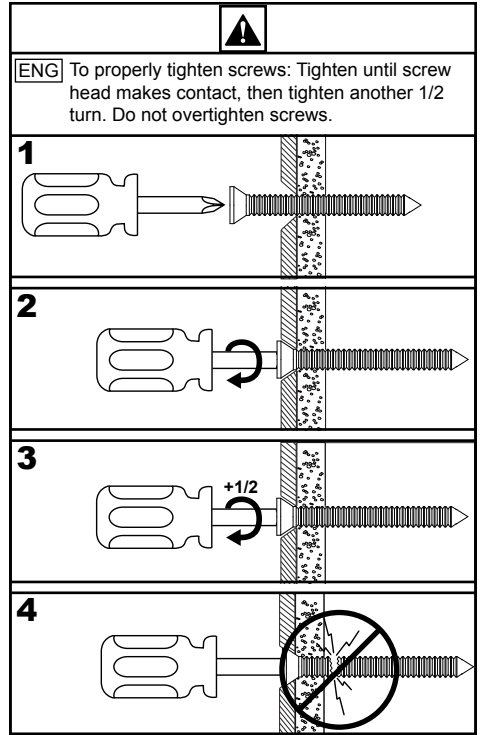
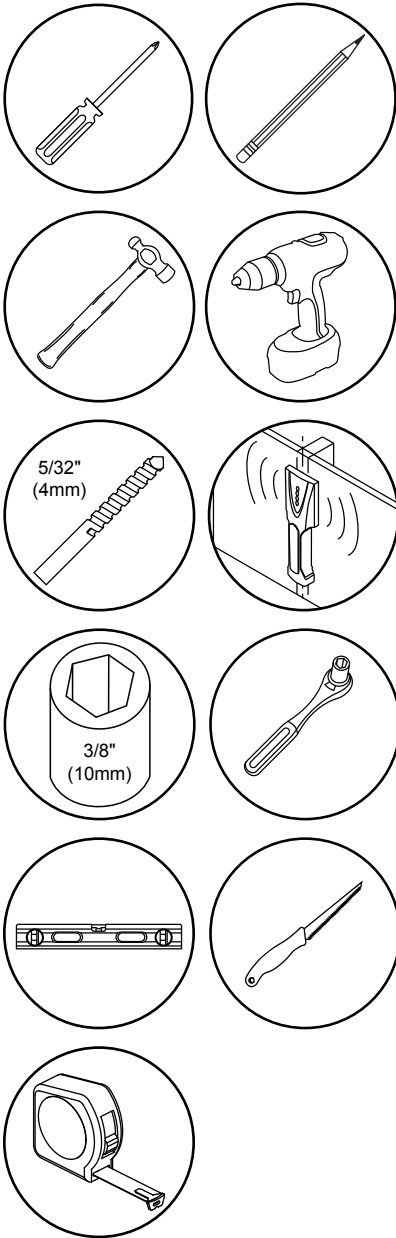


ENG Screws must get at least three full turns and fit snug.



ENG Do not overtighten screws.

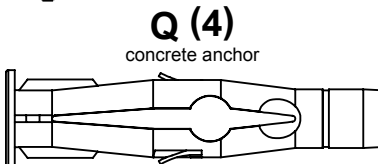
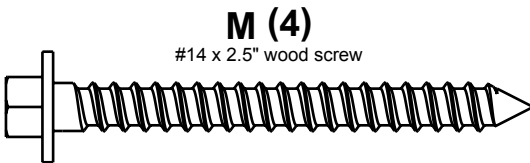
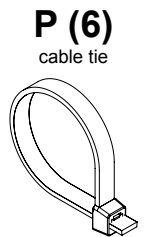
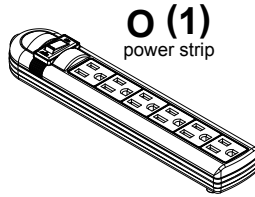
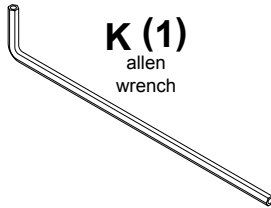
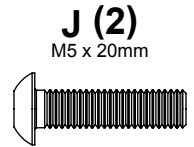
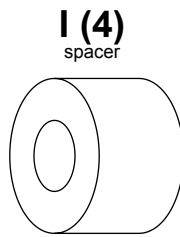
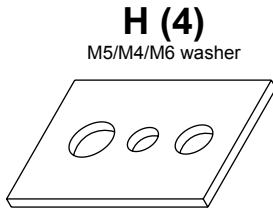
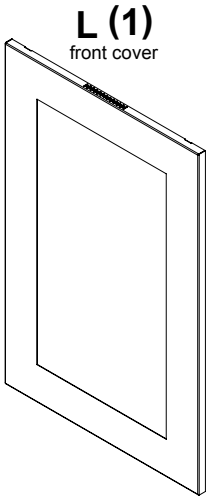
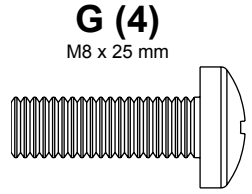
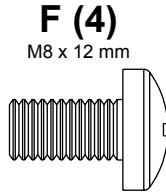
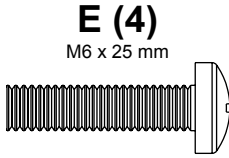
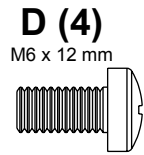
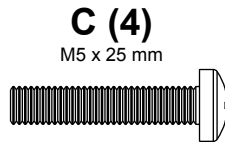
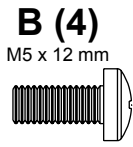
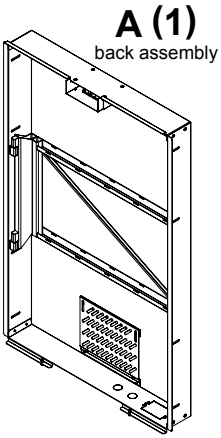
**ENG** Tools Needed for Assembly.



[ENG] Parts (Before beginning, make sure you have all parts shown below).

<b>Parts List</b>		KIP740	KIP742	KIP743	KIP746	KIP747
Description	Qty	KIP740-S Part #	KIP742-S Part #	KIP743-S Part#	KIP746-S Part #	KIP747-S Part #
<b>A</b> back assembly	1	150-T1693	150-T1694	150-T1694	150-T1690	150-T1691
<b>B</b> M5 x 12mm pan phl screw	4	520-1027	520-1027	520-1027	520-1027	520-1027
<b>C</b> M5 X 25mm pan phl screw	4	520-9543	520-9543	520-9543	520-9543	520-9543
<b>D</b> M6 x 12mm pan phl screw	4	520-1128	520-1128	520-1128	520-1128	520-1128
<b>E</b> M6 x 25mm pan phl screw	4	520-1208	520-1208	520-1208	520-1208	520-1208
<b>F</b> M8 x 12mm pan phl screw	4	520-9571	520-9571	520-9571	520-9571	520-9571
<b>G</b> M8 x 25mm pan phl screw	4	520-1031	520-1031	520-1031	520-1031	520-1031
<b>H</b> M5/M4/M6 multi washer	4	580-1398	580-1398	580-1398	580-1398	580-1398
<b>I</b> 1/4"spacer	4	540-1059	540-1059	540-1059	540-1059	540-1059
<b>J</b> M5 x 20mm skt screw	2	520-1065	520-1065	520-1065	520-1065	520-1065
<b>K</b> 4mm allen wrench	1	560-9646	560-9646	560-9646	560-9646	560-9646
<b>L</b> front cover BLK front cover SLV	1	150-P1596P 150-4596P	150-P1599P 150-4599P	151-P1610 151-4610	150-P1593P 150-4593P	150-P1594P 150-4594P
<b>M</b> #14 x 2.5" wood screw	4	5S1-015-C03	5S1-015-C03	5S1-015-C03	5S1-015-C03	5S1-015-C03
<b>N</b> adaptor bracket	2	150-T1689	150-T1689	150-T1689	150-T1689	150-T1689
<b>O</b> power strip	1	600-0370	600-0370	600-0370	600-0370	600-0370
<b>P</b> cable tie	6	560-1756	560-1756	560-1756	560-1756	560-1756
<b>Q</b> concrete anchor (not used)	4	590-0320	590-0320	590-0320	590-0320	590-0320

<b>Parts List</b>		KIP748	KIP749	KIP755
Description	Qty	KIP748-S Part #	KIP749-S Part #	KIP755-S Part#
<b>A</b> back assembly	1	150-T1692	150-T1695	150-T1695
<b>B</b> M5 x 12mm pan phl screw	4	520-1027	520-1027	520-1027
<b>C</b> M5 X 25mm pan phl screw	4	520-9543	520-9543	520-9543
<b>D</b> M6 x 12mm pan phl screw	4	520-1128	520-1128	520-1128
<b>E</b> M6 x 25mm pan phl screw	4	520-1208	520-1208	520-1208
<b>F</b> M8 x 12mm pan phl screw	4	520-9571	520-9571	520-9571
<b>G</b> M8 x 25mm pan phl screw	4	520-1031	520-1031	520-1031
<b>H</b> M5/M4/M6 multi washer	4	580-1398	580-1398	580-1398
<b>I</b> 1/4"spacer	4	540-1059	540-1059	540-1059
<b>J</b> M5 x 20mm skt screw	2	520-1065	520-1065	520-1065
<b>K</b> 4mm allen wrench	1	560-9646	560-9646	560-9646
<b>L</b> front cover BLK front cover SLV	1	150-P1595P 150-4595P	151-P1818 151-4818	150-P1600P 150-4600P
<b>M</b> #14 x 2.5" wood screw	4	5S1-015-C03	5S1-015-C03	5S1-015-C03
<b>N</b> adaptor bracket	2	150-T1689	150-T1689	150-T1689
<b>O</b> power strip	1	600-0370	600-0370	600-0370
<b>P</b> cable tie	6	560-1756	560-1756	560-1756
<b>Q</b> concrete anchor (not used)	4	590-0320	590-0320	590-0320

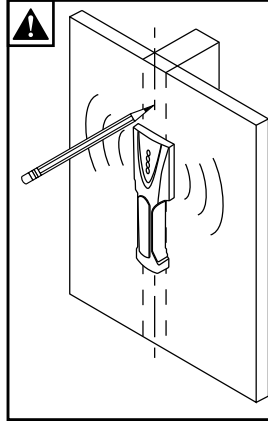
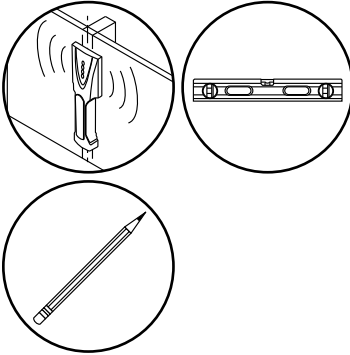


# 1

## ▲ WARNING

ENG - When installing Peerless wall mounts on a wood stud wall covered with gypsum board (drywall), verify that the wood studs are a minimum of 2" x 4" nominal size. Do not install over gypsum board thicker than 5/8".

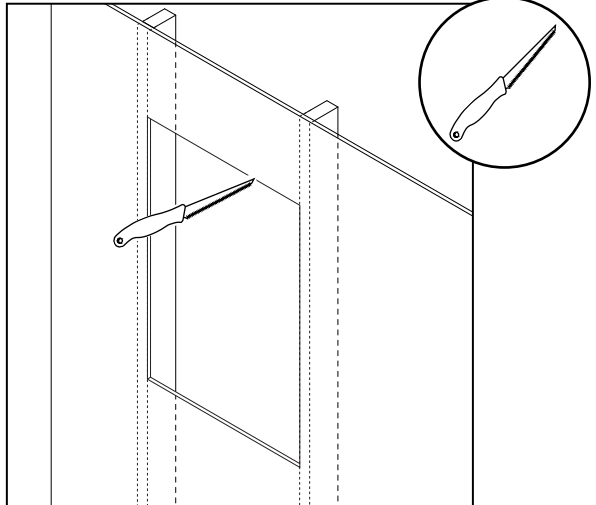
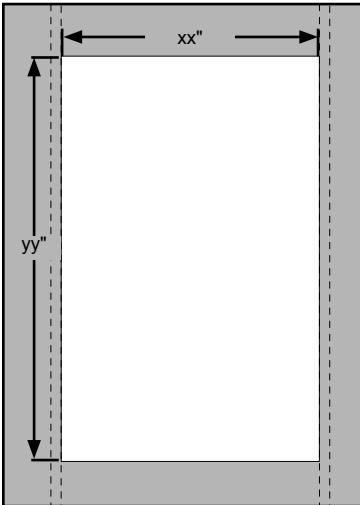
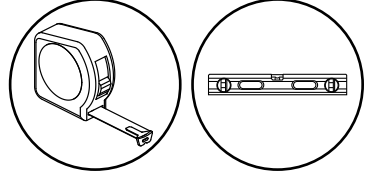
### 1-1



ENG Use stud finder to locate and mark stud center lines.

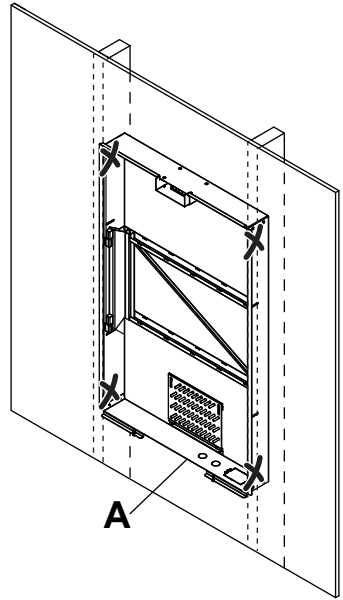
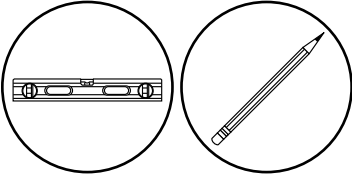
### 1-2

<b>KIP740, KIP742, KIP743</b>	XX = 27.25, YY = 43.5
<b>KIP746, KIP747, KIP748</b>	XX = 30.25, YY = 48.25
<b>KIP749, KIP755</b>	XX = 33.75, YY = 55.75

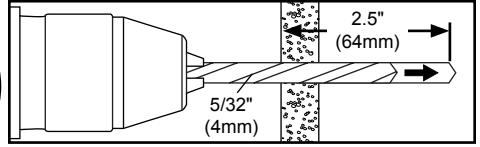
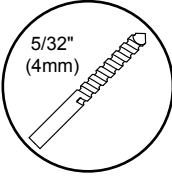


# 1-3

ENG Level wallplate. Mark mounting holes on stud.

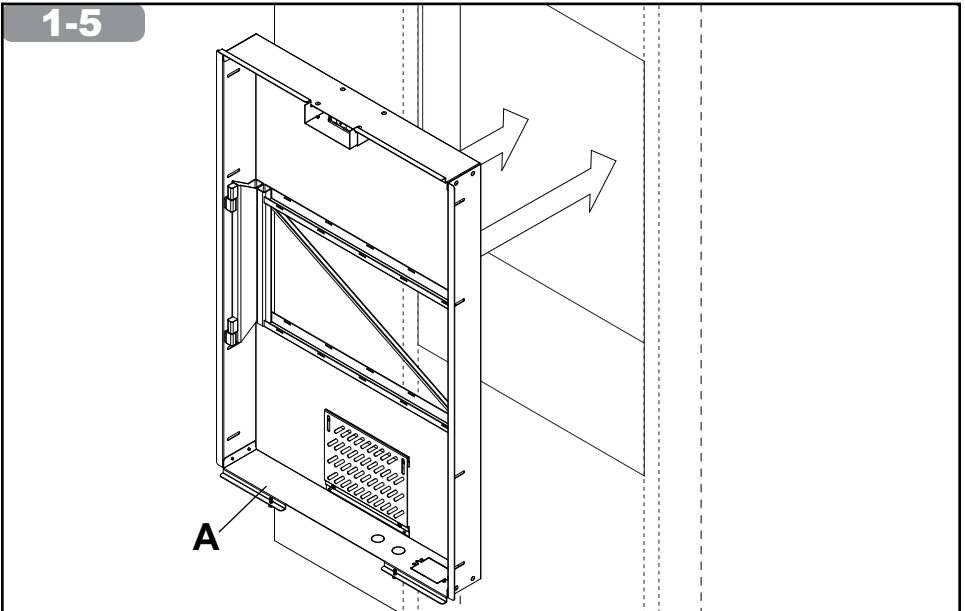


# 1-4



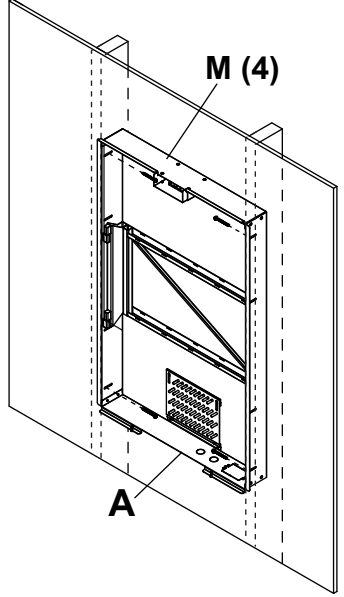
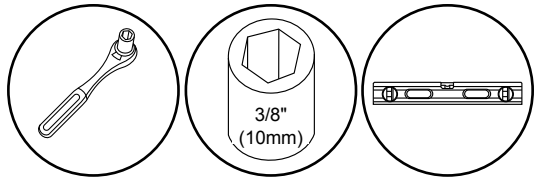
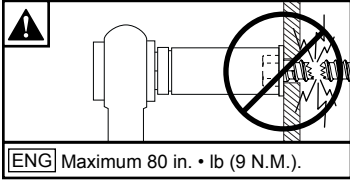
ENG Drill mounting holes into supporting surface (2.5" (64mm) minimum depth required).

# 1-5



# 1-6

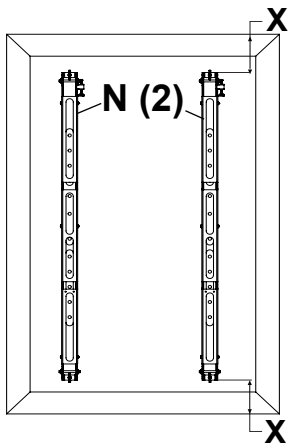
**ENG** Level wallplate. Install using wood screws provided.





2

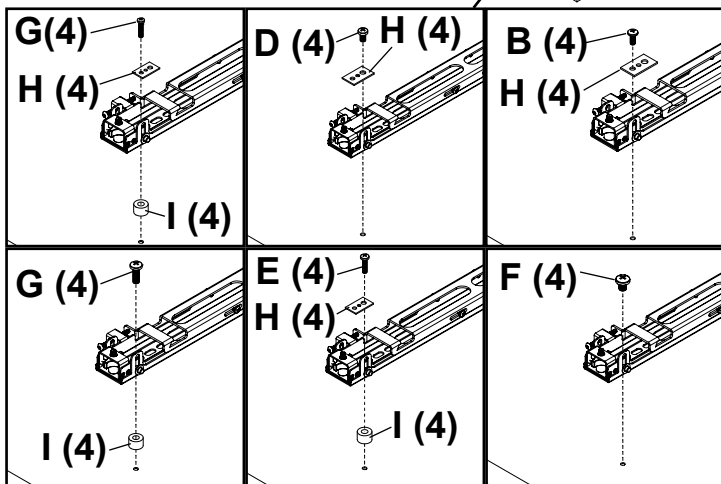
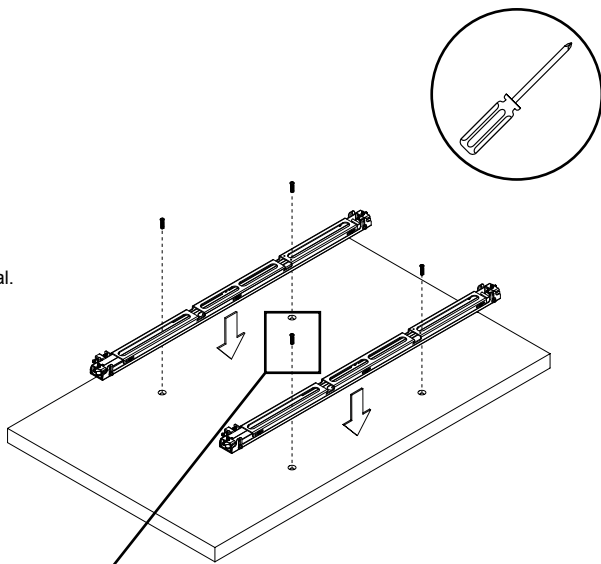
ENG Center adapter brackets vertically on back of screen.



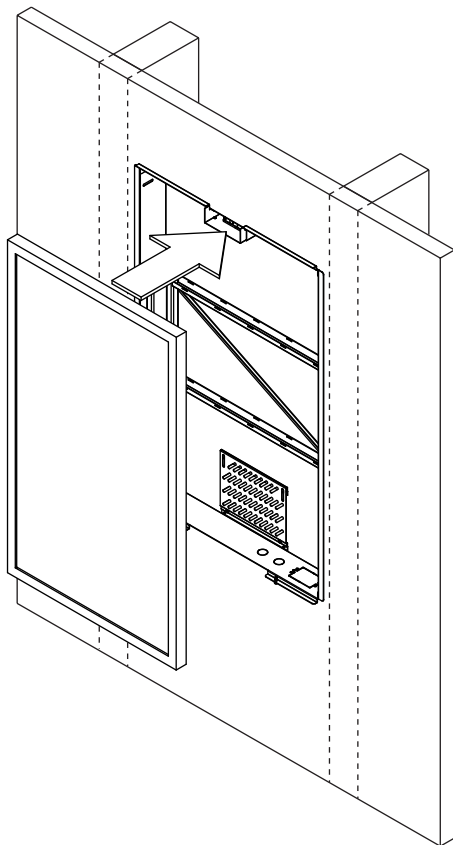
3



ENG Use of spacers is optional.

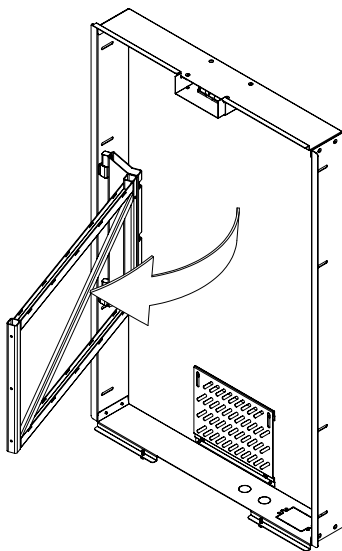


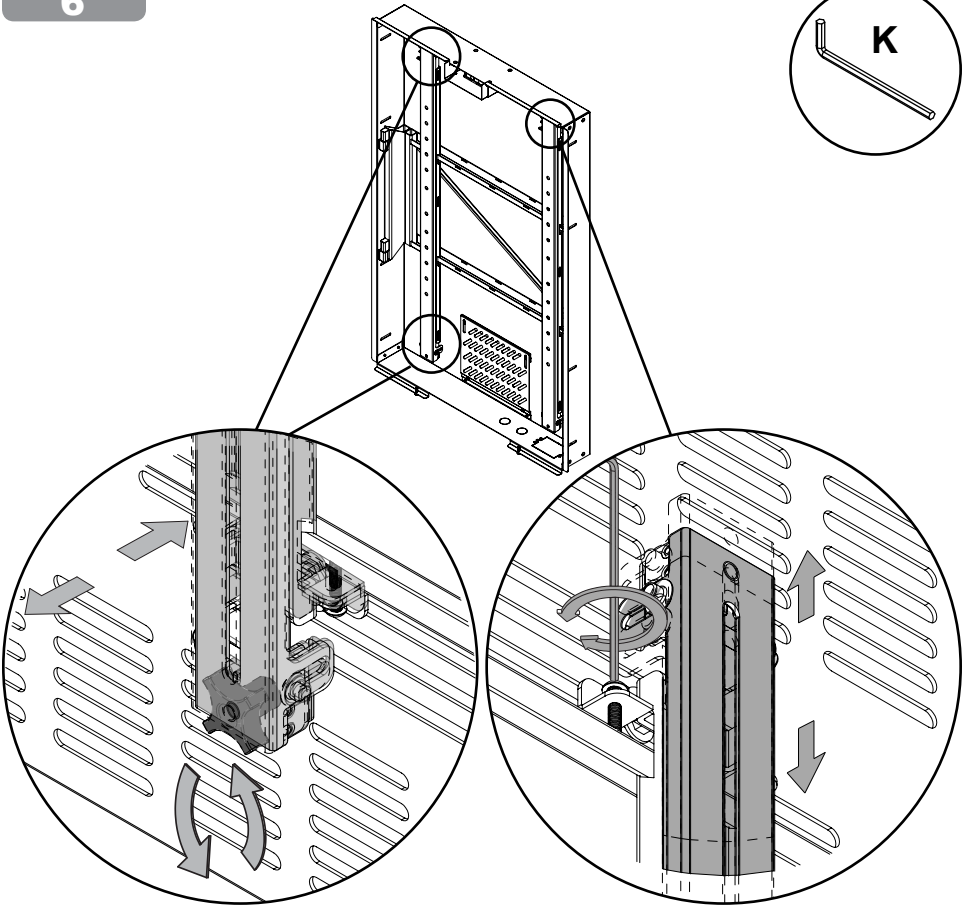
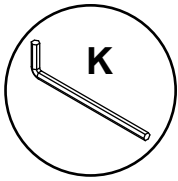
4



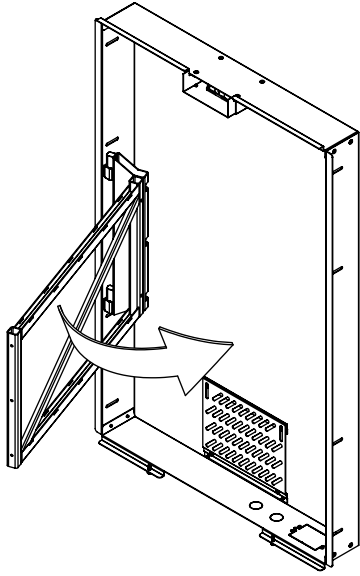
5

**ENG** Note: Mounting arm swings out to access adapter brackets and behind display.

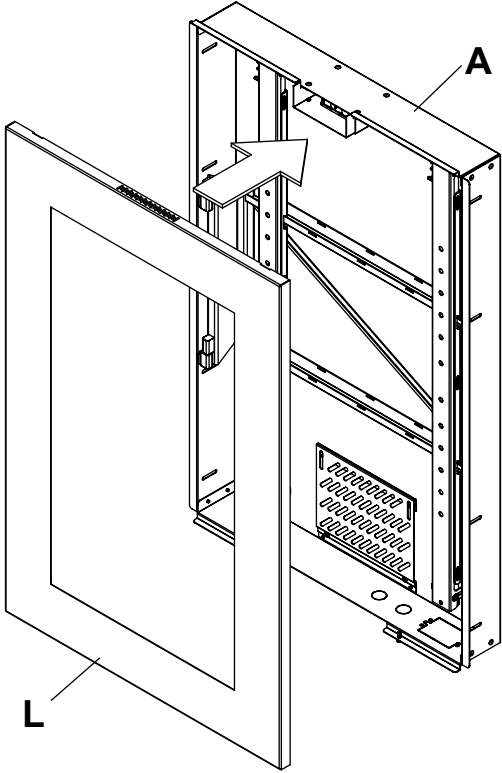


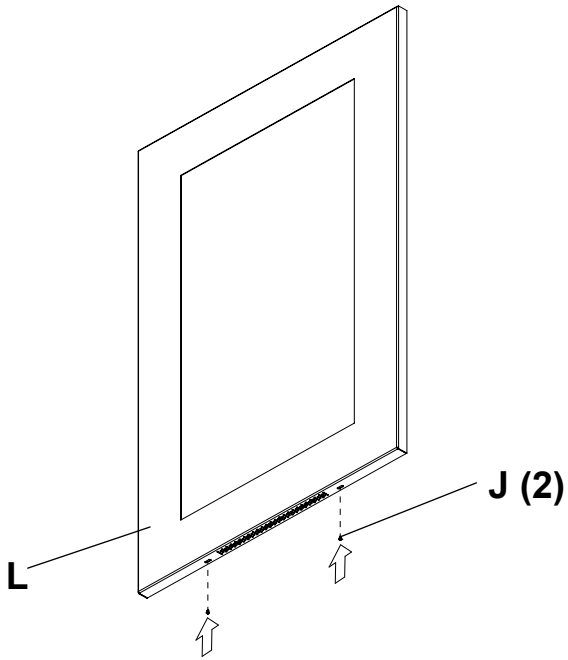


7



8





**ENG** This page intentionally left blank.

## LIMITED FIVE-YEAR WARRANTY

Peerless Industries, Inc. ("Peerless") warrants to original end-users of Peerless® products will be free from defects in material and workmanship, under normal use, for a period of five years from the date of purchase by the original end-user (but in no case longer than six years after the date of the product's manufacture). At its option, Peerless will repair or replace, or refund the purchase price of, any product which fails to conform with this warranty.

**In no event shall the duration of any implied warranty of merchantability or fitness for a particular purpose be longer than the period of the applicable express warranty set forth above.** Some states do not allow limitations on how long a implied warranty lasts, so the above limitation may not apply to you.

This warranty does not cover damage caused by (a) service or repairs by the customer or a person who is not authorized for such service or repairs by Peerless, (b) the failure to utilize proper packing when returning the product, (c) incorrect installation or the failure to follow Peerless' instructions or warnings when installing, using or storing the product, or (d) misuse or accident, in transit or otherwise, including in cases of third party actions and force majeure.

**In no event shall Peerless be liable for incidental or consequential damages or damages arising from the theft of any product, whether or not secured by a security device which may be included with the Peerless® product.** Some states do not allow the exclusion or limitation of incidental or consequential damages, so the above limitation or exclusion may not apply to you.

This warranty is in lieu of all other warranties, expressed or implied, and is the sole remedy with respect to product defects. No dealer, distributor, installer or other person is authorized to modify or extend this Limited Warranty or impose any obligation on Peerless in connection with the sale of any Peerless® product.

This warranty gives specific legal rights, and you may also have other rights which vary from state to state.

Patent Pending



**Peerless-AV**  
2300 White Oak Circle  
Aurora, IL 60502  
Email: [tech@peerlessmounts.com](mailto:tech@peerlessmounts.com)  
Ph: (800) 865-2112  
Fax: (800) 359-6500  
[www.peerless-av.com](http://www.peerless-av.com)

© 2017, Peerless Industries, Inc.

**Peerless-AV Europe**  
Unit 3 Watford Interchange,  
Colonial Way, Watford, Herts,  
WD24 4WP, United Kingdom  
Customer Care  
44 (0) 1923 200 100  
[www.peerless-av.com](http://www.peerless-av.com)

© 2017, Peerless Industries, Inc.

**Peerless-AV de Mexico**  
Ave de las Industrias 413  
Parque Industrial Escobedo  
Escobedo N.L. Mexico 66062  
Servicio al Cliente  
01-800-849-65-77  
[www.peerless-av.com](http://www.peerless-av.com)

© 2017, Peerless Industries, Inc.