



Quam

**SOLUTION 3**

**CEILING MOUNT**

Includes two (2) each:  
C10FX/BU/2WS, ERD8U, SSB-6

**GENERAL DESCRIPTION**

The **SOLUTION 3** is a complete speaker/transformer/designer baffle solution for ceiling installations. Each package includes two (2) C10FX/BU/2WS - The 8C10FEPAX - 8" O.D. foam surround, dual cone speaker with a TBLU - 5W-25/70V transformer mounted on a BR8-2WS designer baffle.

**\* SHIPPED AS A COMPLETE PAIR IN ONE CARTON**

**INTENDED USE - Indoor Environment**

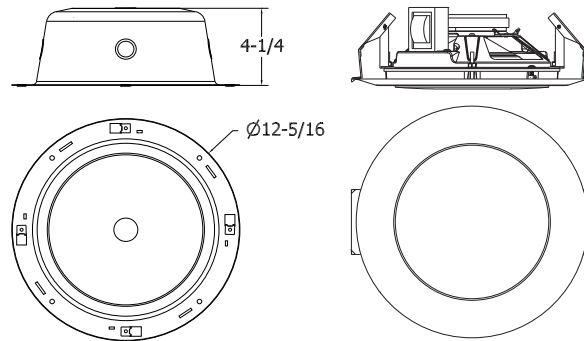
<b>Program Material</b>	Paging, signal tones, and background music
<b>Installation</b>	Downward-firing in a 24" wide, drop-tile ceiling
<b>Ceiling Tile Installation</b>	Use ERD8U back boxes and SSB-6 tile support bridges
<b>Hard Ceiling Install Option</b>	Simply install the included QMount Bracket accessory

**AUDIO SPECIFICATIONS**

<b>Average Sensitivity</b>	95 dB SPL, 1W/ 1M
<b>Loudspeaker Power Rating</b>	20W RMS, EIA 426A Standard
<b>Calculated Output</b>	102dB SPL, 5W/ 1M
<b>Magnet Type &amp; Weight</b>	BeFe Ceramic, 10 oz. Nominal
<b>Frequency Response</b>	60Hz - 17 kHz EIA 426A Standard
<b>Nominal Coverage Angle</b>	90° Included Angle, -6 dB / 2 kHz, Half space
<b>Audio Connection</b>	7" Color Coded Leads

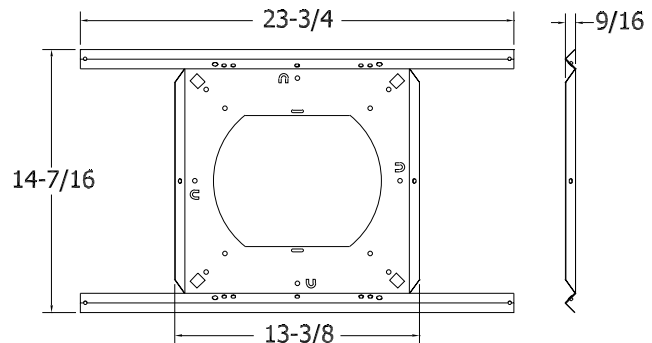
**SYSTEM COMPONENTS**

<b>Loudspeaker</b>	8C10FEPAX
<b>Transformer</b>	5W-25/70V : 5 tap, Color Coded Leads (5W, 2.5W, 1.25W, 0.63W, 0.31W)
<b>Baffle</b>	BR8-2WS
<b>Back Box</b>	ERD8U
<b>Mounting Device</b>	SSB-6
<b>Hard Ceiling Brackets</b>	QMount



ERD8U

Shown with  
QMount Brackets installed



SSB-6

<p>Recommended construction sequences, installation instructions, and A&amp;E Specifications are available in various formats in the QUAM Architects' and Engineers' Resources section on the web at: <a href="http://www.QuamSpeakers.com">www.QuamSpeakers.com</a></p>				<p>QUAM-NICHOLS COMPANY, INC. 234 East Marquette Rd. Chicago, IL. 60637 Tel: 1-800-NEED-NOW (800-633-3669) Fax: 1-888-NEED-NOW (888-633-3669) e-mail: NeedNow@QNC.com <a href="http://www.QuamSpeakers.com">www.QuamSpeakers.com</a></p>
<p>© 2013 Quam-Nichols Company reserves the right to make changes and/or improvements to its products at any time and without notice.</p>				