

Owner's Manual

Security DVR Lockbox Enclosure

Model: SRDVRLB

Table of Contents

1. Important Safety Instructions	2	6. Mounting the Enclosure	6
2. Overview	2	6.1 Wall Mounting	6
3. Feature Identification	3	6.2 Tabletop/Floor Mounting	7
4. Enclosure Installation	4	7. Equipment Installation	8
4.1 Preparation	4	7.1 Installing or Removing Cage Nuts	8
4.2 Unpacking	4	8. Storage and Service	9
5. Enclosure Configuration	5	9. Warranty and Product Registration	9
5.1 Door Locks	5	Español	10
5.2 Cable Access and Management	5	Français	19
5.3 Mounting Rails	5		
5.4 Adjusting Mounting Rail Depth	6		

PROTECT YOUR INVESTMENT!

Register your product for quicker service and ultimate peace of mind.

You could also win an ISOBAR6ULTRA surge protector—a \$50 value!

www.tripplite.com/warranty



1111 W. 35th Street, Chicago, IL 60609 USA • www.tripplite.com/support

Copyright © 2015 Tripp Lite. All trademarks are the sole property of their respective owners.

1. Important Safety Instructions



SAVE THESE INSTRUCTIONS

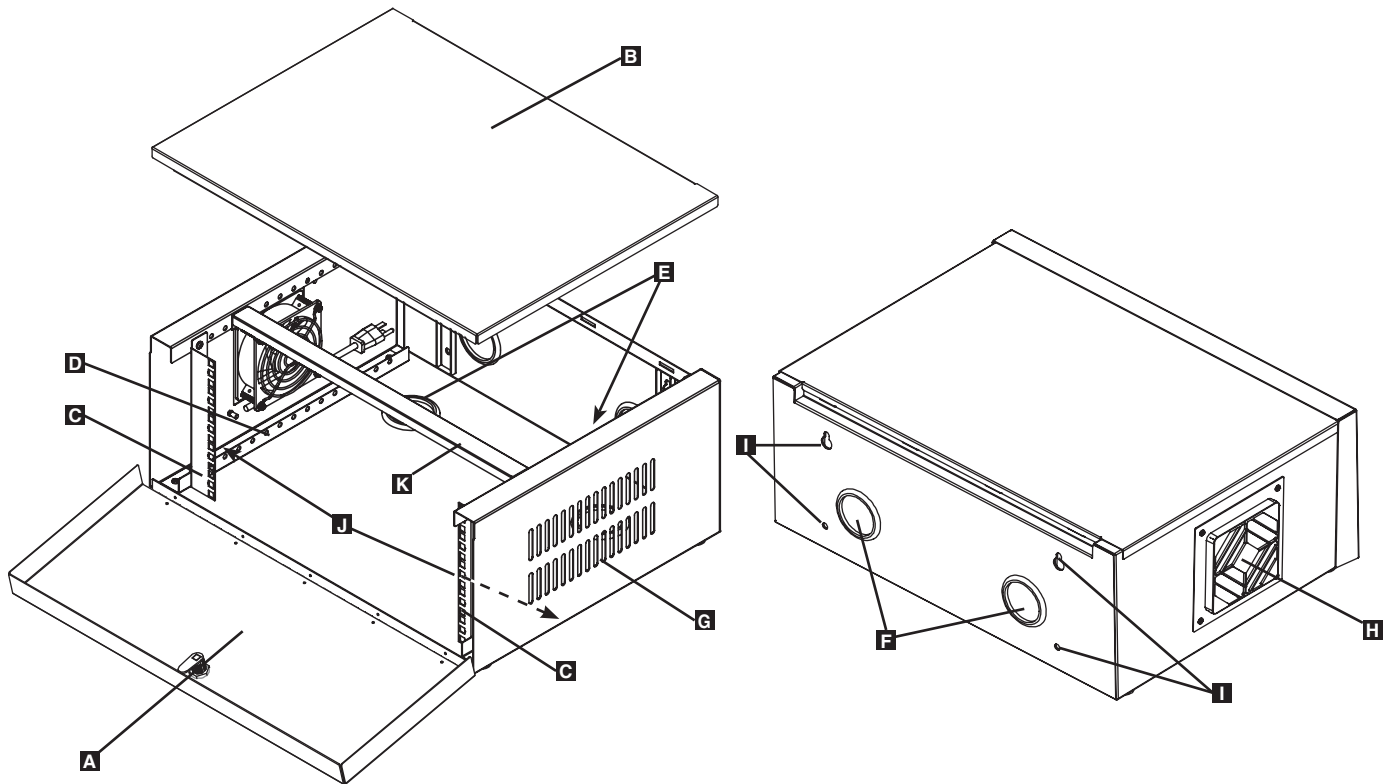
This manual contains instructions and warnings that must be followed during the installation and operation of the product described in this manual. Failure to comply may invalidate the warranty and cause property damage or personal injury.

- Keep the enclosure in a controlled indoor environment, away from moisture, temperature extremes, flammable liquids and gasses, conductive contaminants, dust and direct sunlight.
- Leave adequate space at the front and rear of the enclosure for proper ventilation. Do not block, cover or insert objects into the external ventilation openings of the enclosure.
- The enclosure is extremely heavy. Use caution when handling the enclosure. Do not attempt to unpack, move or install it unassisted. Use a mechanical device such as a forklift or pallet jack to move the enclosure in the shipping container.
- Do not place any object on the enclosure, especially containers of liquid, and do not attempt to stack the enclosures.
- Inspect the shipping container and the enclosure for shipping damage. Do not use the enclosure if it is damaged.
- Leave the enclosure in the shipping container until it has been moved as close to the final installation location as possible.
- Install the enclosure in a structurally sound area capable of handling the load, or on a level floor that is able to bear the weight of the enclosure, all equipment that will be installed in the enclosure and any other enclosures and/or equipment that will be installed nearby.
- For permanent wall mounting, be sure to securely fasten the enclosure to the building structure before operation.
- Use caution when cutting packing materials. The enclosure could be scratched, causing damage not covered by the warranty.
- Save all packing materials for later use. Repacking and shipping the enclosure without the original packing materials may cause product damage that will void the warranty.
- Use of this equipment in life support applications where failure of this equipment can reasonably be expected to cause the failure of the life support equipment or to significantly affect its safety or effectiveness is not recommended. Do not use this equipment in the presence of a flammable anesthetic mixture with air, oxygen or nitrous oxide.

2. Overview

Your Security DVR Lockbox Enclosure is an all-in-one solution for securely storing and cooling a digital video recorder (DVR) device. Using a compact 6U housing, this unit can be conveniently mounted to walls as well as be configured for tabletop or floor placement. To prevent theft and device tampering, the SRDVRLB model comes equipped with a locking door that overlaps the enclosure's top panel and sides. For optimal system performance, a pre-installed cooling fan with air filter increases cool airflow inside and restricts incoming dust and airborne particulates.

3. Feature Identification



- A** Locking Front Door
- B** Removable Top Panel
- C** Vertical Mounting Rails
- D** Horizontal Rails
- E** Bottom Cable Access Holes
- F** Rear Cable Access Holes
- G** Vent
- H** Cooling Fan with Air Filter
- I** Mounting Keyholes and Support Mounting Holes
- J** Bottom Mounting Holes
- K** Removable Cross Support Brace (Used for Wall Mounting the Enclosure)

4. Enclosure Installation



Caution! Read All Instructions and Warnings Before Installation!



Warning: Rack enclosures can be extremely heavy. Do not attempt to unpack, move or install the enclosure without assistance. Use extreme caution when handling the enclosure and be sure to follow all handling and installation instructions. Do not attempt to install equipment without first stabilizing the enclosure.

4.1 Preparation

The enclosure must be installed in a structually sound area that is able to bear the weight of the enclosure, all the equipment that will be installed in the enclosure and any other enclosures and/or equipment that will be installed nearby. Before unpacking the enclosure, you should transport the shipping container closer to the final installation location to minimize the distance you will need to move the unit after the protective packaging has been removed. If you plan to store the enclosure for an extended period before installation, follow the instructions in the **Storage and Service** section.

You need the following tools:

- Level
- Phillips-head Screwdriver
- Appropriate tools for wall mounting

You also need the following hardware:

- Appropriate hardware for wall mounting or tabletop/floor mounting (not included)

4.2 Unpacking



Use at least two people to unpack the enclosure.



- 1** Move shipping pallet to a firm, level surface.
- 2** Open box and remove the four foam corner protectors. Save all packing materials for later use unless you are certain they will not be required. Packing materials are recyclable.
- 3** With one person on each side, carefully lift the enclosure out of the box and place on a firm, level surface.
- 4** Examine the enclosure for any damage or loose parts. Confirm all parts are present. If anything is missing or damaged, contact Tripp Lite for assistance. Do not attempt to use the enclosure if it has been damaged.



Never extend more than one component from the enclosure at a time.



Warning: Never attempt to lift or install without adequate help. Do not try lifting the enclosure alone.



5. Enclosure Configuration

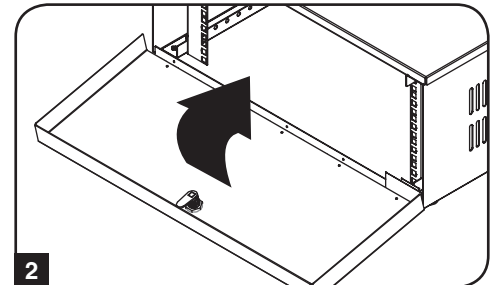
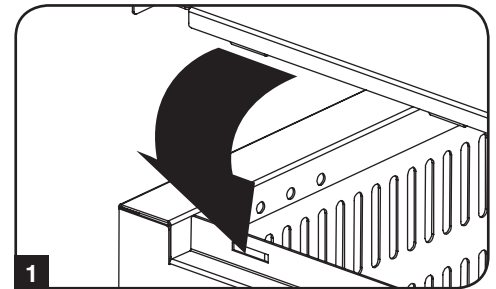
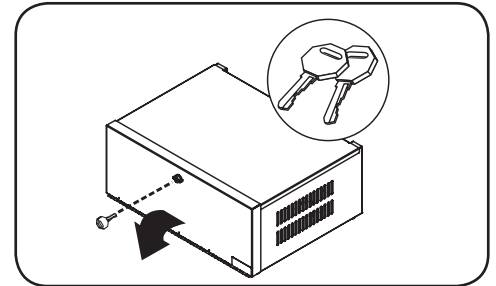
Before installation, plan the location and arrangement of components within the enclosure. Make sure all mounting rails are reversed or adjusted for depth, depending on your equipment configuration.

5.1 Door Locks

The front door contains a lock that is accessible with the included keys.

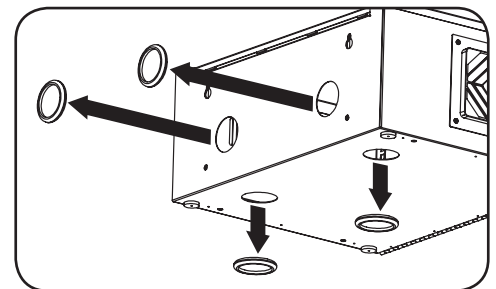
1 Before attempting to close and lock the front door, first ensure that the top panel's notches are secured within the rear panel slots. Then gently place the top panel over the enclosure frame.

2 Once the top panel is secured, swing the front door up. The front door will overlap the top panel and the enclosure's left and right sides. Use an included key to lock the door.



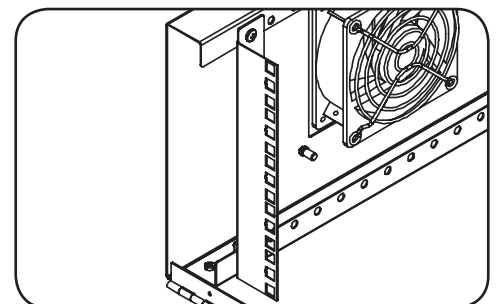
5.2 Cable Access and Management

The rear and bottom of the enclosure has two circular holes per side for cable access and management. To uncover a cable access hole, simply pop out the desired cap.



5.3 Mounting Rails

The enclosure comes with mounting rails with square holes for 19" rackmount-compatible DVR equipment. To install your DVR, use the included cage nuts and other device hardware (see **7.1 Installing or Removing Cage Nuts** section for more information). **Warning: Be sure to have the enclosure securely mounted to the wall, tabletop or floor before mounting any equipment inside. Also be sure to have all the right adjustments on your rails before mounting equipment (see Adjusting Mounting Rail Depth section for more information).**



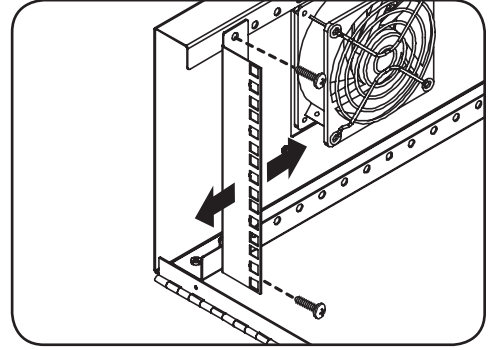
5. Enclosure Configuration continued

5.4 Adjusting Mounting Rail Depth

Warning: Do not attempt to adjust rails while equipment is installed in the enclosure. Do not attempt to use rails without screws installed (two per rail).

The two mounting rails are pre-installed to accommodate equipment with a mounting depth of 16.25 inches (412 mm). Do not adjust the mounting rails unless your equipment requires a different mounting depth. The front and rear sets of rails can be adjusted independently in 1-inch (25 mm) increments for mounting depths between 1 inch (25 mm) and 16 inches (406 mm).

- 1 Each rail is connected to the enclosure with two screws: one in the upper corner and another in the lower corner. Using a Phillips-head screwdriver, remove the screws that fasten the rails to the enclosure.
- 2 Slide the mounting rails to the desired depth and reattach them using the screws you removed in Step 1.



6. Mounting the Enclosure

6.1 Wall Mounting

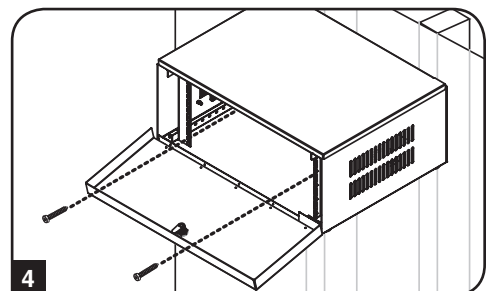
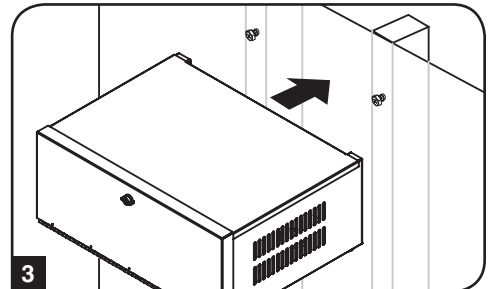
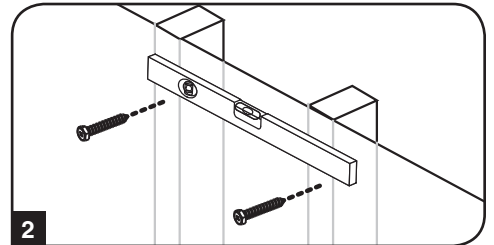
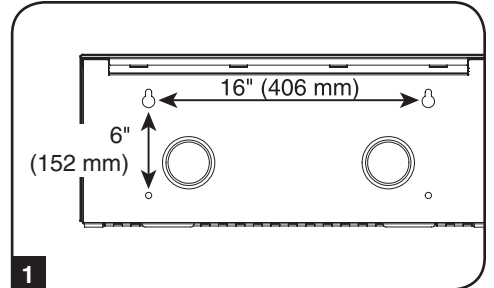
Warning: The enclosure supports 60 lb. (27 kg) of total equipment weight. Install the cross support brace inside the enclosure for heavy equipment installations. Do not attempt to mount the enclosure to the wall with equipment in the enclosure.

Note: Enclosure must be installed by a qualified technician. Before mounting, use a level and tape measure to position your mounting area precisely. Use appropriate fasteners (not included) to secure the enclosure to the wall. Use suitable mounting means when installing to cinder block, concrete, drywall or wood studs. **Warning: The supporting surface must be able to safely support the combined load of the equipment and all attached hardware and components.**

- 1 There are two keyhole slots and two support mounting holes on the back of the enclosure. Each keyhole can accommodate an M8 or 5/16" bolt. The holes are spaced 16" (406 mm) apart horizontally and 5.9" (150 mm) apart vertically, as shown in the diagram.

Note: The below wall-mounting instructions and diagrams are for mounting into wood studs. For solid or hollow wall-mounting, first check that any anchors used are capable of supporting the weight of the enclosure and its contents.

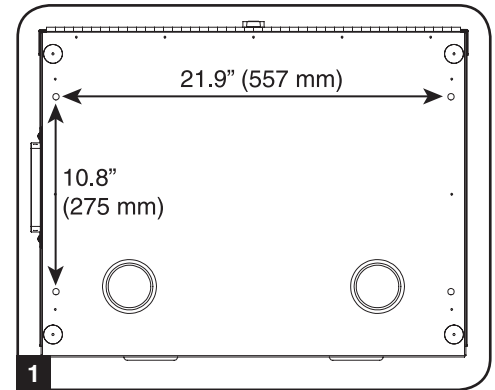
- 2 Using a tape measure and level, identify the wall location you want to position your enclosure and mark two mounting holes 16" (406 mm) apart. Then insert two M8 or 5/16" bolts into the mounting hole markings. Upon inserting the hardware, make sure to leave a 1/8" (3.18 mm) space between the bolt head and the wall.
- 3 With the help of an assistant or mechanical lifting device, hang the enclosure's keyholes onto the bolts attached to the wall. The keyholes will fit over the bolts and the enclosure should slide down until secure. Tighten the bolts once it is determined that the enclosure is safely supported.
- 4 Secure the enclosure to the wall by fastening two user-supplied M8 or 5/16" bolts through the support mounting holes.



6. Mounting the Enclosure continued

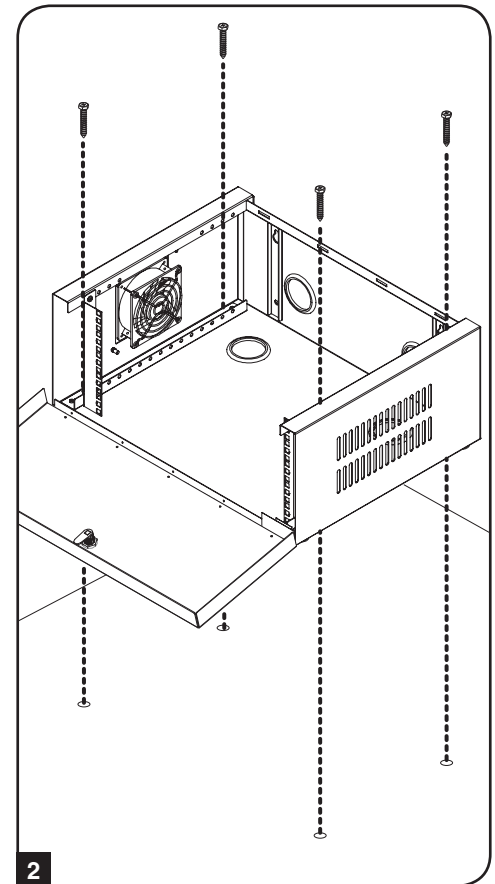
6.2 Tabletop/Floor Mounting

- 1 There are four mounting holes on the bottom of the enclosure. Each hole can accommodate an M8 or 5/16" bolt. The holes are spaced 21.9" (557 mm) apart horizontally and 10.8" (275 mm) apart vertically, as shown in the diagram.



- 2 Using a tape measure, identify the tabletop or floor location where you want to position your enclosure and mark two mounting holes 21.9" (557 mm) apart horizontally and 10.8" (275 mm) apart vertically. Remove the enclosure's top panel. Then align the enclosure with the marking holes and secure the enclosure using four M8 or 5/16" bolts.

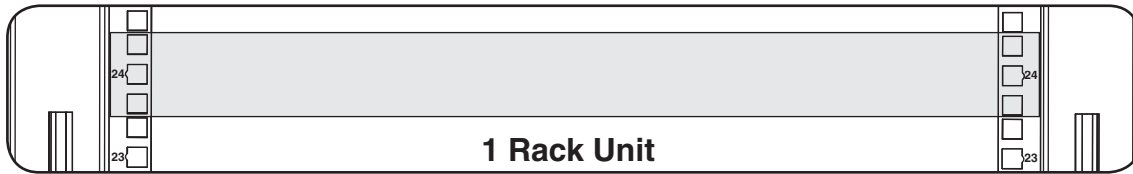
Note: Depending on surface, pilot holes may need to be drilled prior to hardware installation.



7. Equipment Installation

Warning: Do not install equipment until you have stabilized the enclosure. Install heavier equipment first and install it towards the bottom of the enclosure. Install equipment starting from the bottom of the enclosure and proceeding toward the top of the enclosure - never the reverse. If using sliding equipment rails, be careful when extending the rails. Do not extend more than one set of sliding equipment rails at one time. Avoid extending sliding equipment rails near the top of the enclosure.

Note: The square holes in the middle of each rack unit are numbered and also include a small notch to aid identification. A single rack unit includes the space occupied by the numbered hole and the holes directly above and below.



7.1 Installing or Removing Cage Nuts

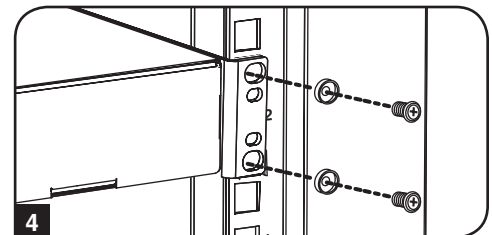
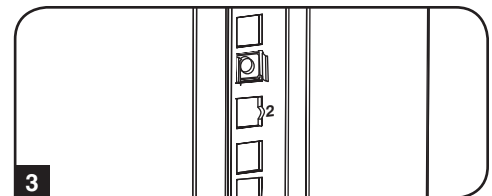
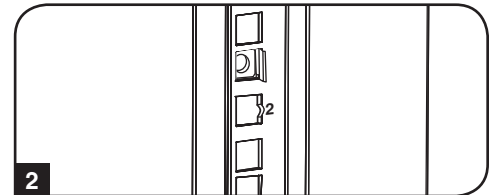
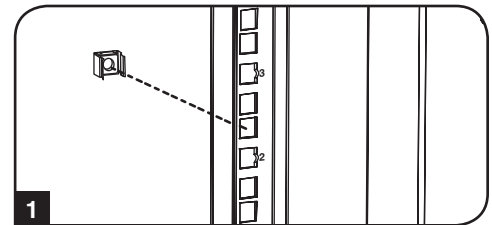
WARNING: The flanges of the cage nuts should engage the sides of the square opening in the rail, not the top and bottom. Follow the instructions in your equipment documentation to ensure proper installation.

- 1** Locate the numbered square openings in the mounting rails where you plan to install your equipment. You will install cage nuts (included) into the square openings in order to provide an attachment point for the mounting screws (included). **Note:** Consult your equipment documentation to determine how many cage nuts will be required and where they will need to be installed.
- 2** From the inside of the mounting rail, insert one of the flanges of the cage nut through the square opening. Press it against the side of the square opening. Each flange should engage one side of the square opening, not the top or bottom.
- 3** Compress the cage nut at the sides slightly to allow the remaining flange to fit through the square opening. When the cage nut is properly installed, both flanges will protrude through the square opening and will be visible on the outer surface of the mounting rail. Repeat steps 1-3 until all required cage nuts are installed.
- 4** After installing the required cage nuts, use the included black mounting screws and cup washers to secure your equipment to the rack rail. Place the cup washers between the screws and the equipment mounting brackets.

Note: Your equipment may also include mounting hardware. Read the mounting instructions that came with your equipment before installing your equipment.

To Remove Cage Nuts, Reverse Steps 1-3

Note: You may wish to use a cage nut tool (user-supplied) to aid cage nut installation and removal.



8. Storage and Service

Storage

The enclosure should be stored in a controlled indoor environment, away from moisture, temperature extremes, flammable liquids and gasses, conductive contaminants, dust and direct sunlight. Store the enclosure in its original shipping container if possible.

Service

The enclosure is covered by the limited warranty described in this manual. For more information, visit www.tripplite.com/support.

9. Warranty and Product Registration

5-Year Limited Warranty

Seller warrants this product, if used in accordance with all applicable instructions, to be free from original defects in material and workmanship for a period of 5 years from the date of initial purchase. If the product should prove defective in material or workmanship within that period, Seller will repair or replace the product, at its sole discretion.

THIS WARRANTY DOES NOT APPLY TO NORMAL WEAR OR TO DAMAGE RESULTING FROM ACCIDENT, MISUSE, ABUSE OR NEGLIGENCE. SELLER MAKES NO EXPRESS WARRANTIES OTHER THAN THE WARRANTY EXPRESSLY SET FORTH HEREIN. EXCEPT TO THE EXTENT PROHIBITED BY APPLICABLE LAW, ALL IMPLIED WARRANTIES, INCLUDING ALL WARRANTIES OF MERCHANTABILITY OR FITNESS, ARE LIMITED IN DURATION TO THE WARRANTY PERIOD SET FORTH ABOVE; AND THIS WARRANTY EXPRESSLY EXCLUDES ALL INCIDENTAL AND CONSEQUENTIAL DAMAGES. (Some states do not allow limitations on how long an implied warranty lasts, and some states do not allow the exclusion or limitation of incidental or consequential damages, so the above limitations or exclusions may not apply to you. This warranty gives you specific legal rights, and you may have other rights which vary from jurisdiction to jurisdiction).

WARNING: The individual user should take care to determine prior to use whether this device is suitable, adequate or safe for the use intended. Since individual applications are subject to great variation, the manufacturer makes no representation or warranty as to the suitability or fitness of these devices for any specific application.

Product Registration

Visit www.tripplite.com/warranty today to register your new Tripp Lite product. You'll be automatically entered into a drawing for a chance to win a FREE Tripp Lite product!*

* No purchase necessary. Void where prohibited. Some restrictions apply. See website for details.

Tripp Lite has a policy of continuous improvement. Specifications are subject to change without notice.



Manual del propietario

Gabinete con Caja de Seguridad para DVR

Modelo: SRDVRLB

Índice

1. Instrucciones de seguridad importantes	11	6. Instalación del Gabinete	15
2. Generalidades	11	6.1 Instalación en Pared	15
3. Identificación de las características	12	6.2 Instalación sobre Mesa/Piso	16
4. Instalación del rack	13	7. Instalación de equipos	17
4.1 Preparación	13	7.1 Instalación o extracción de las	17
4.2 Desembalaje	13	tuercas de jaula	
5. Configuración del rack	14	8. Almacenamiento y servicio	18
5.1 Cerraduras de las puertas	14	9. Garantía	18
5.2 Administración y acceso a los cables	14	English	1
5.3 Rieles de montaje	14	Français	19
5.4 Ajuste de la profundidad del riel de montaje	15		



1111 W. 35th Street, Chicago, IL 60609 USA • www.triplite.com/support

Copyright © 2015 Tripp Lite. Todas las otras marcas registradas son propiedad de sus respectivos dueños.

1. Instrucciones de seguridad importantes



GUARDE ESTAS INSTRUCCIONES

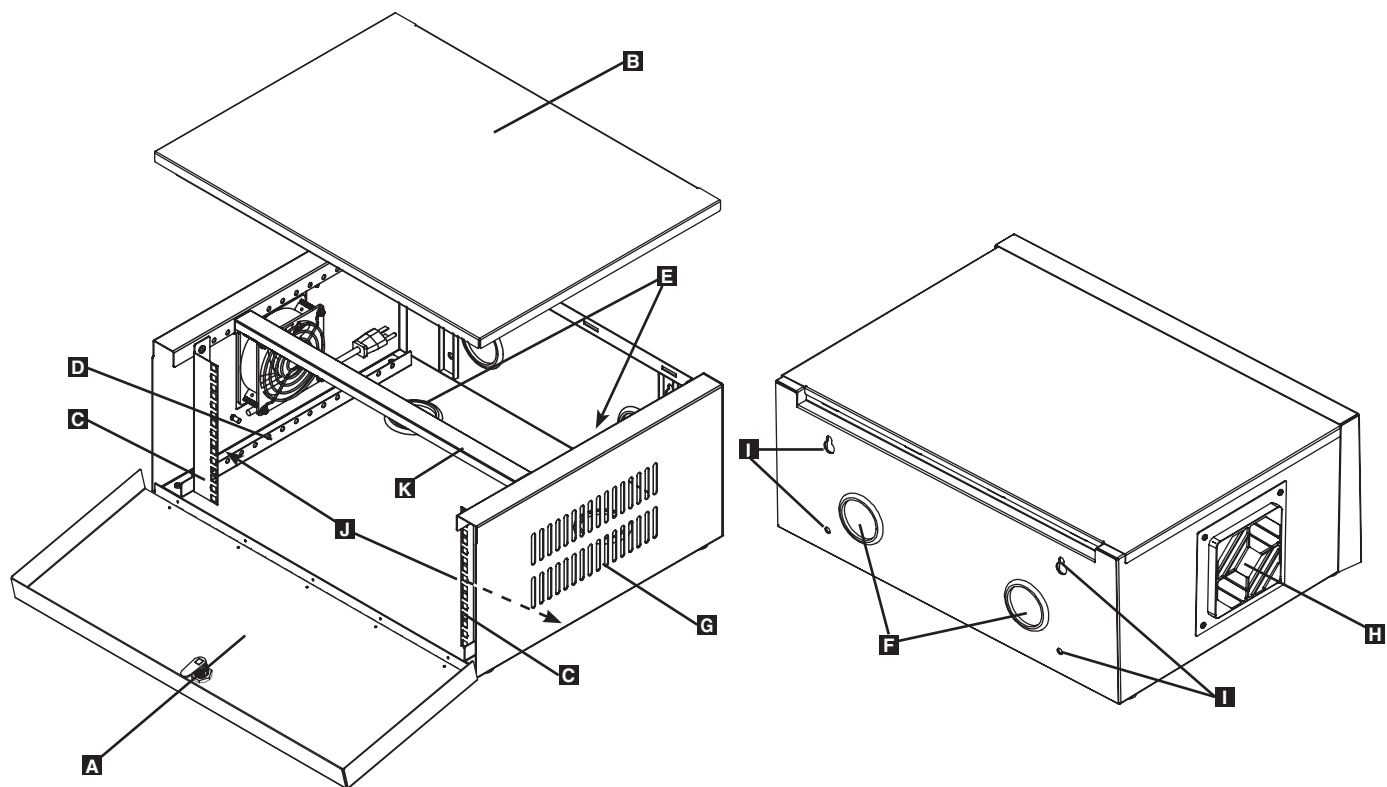
Este manual contiene instrucciones y advertencias que deben seguirse durante la instalación y operación del producto descrito en este manual. El incumplimiento invalidará la garantía, pudiendo causar serios daños a la propiedad o lesiones personales.

- Mantenga el rack en un ambiente interior controlado, lejos de la humedad, temperaturas extremas, líquidos y gases inflamables, contaminantes conductores, el polvo y la luz directa del sol.
- Deje espacio suficiente en el frente y la parte trasera del rack para una ventilación adecuada. No bloquee, cubra ni inserte objetos en las aberturas de ventilación externa del rack.
- El rack es extremadamente pesado. Manipúlelo con precaución. No intente desembalarlo, moverlo ni instalarlo sin ayuda. Use un dispositivo mecánico, como una horquilla elevadora o un gato para pálets para moverlo en el contenedor de envío.
- No coloque ningún objeto sobre el rack, especialmente contenedores de líquido, y no intente apilar los racks.
- Inspeccione el contenedor de envío y el rack para detectar daños producidos durante el transporte. No lo use si está dañado.
- Deje el rack en el contenedor de envío hasta que se lo haya movido lo más cerca posible del lugar de instalación.
- Instale el rack en una zona estructuralmente sana, con piso nivelado que pueda soportar su peso, el de todos los equipos que se instalarán en él y cualquier otro rack y/o equipos que se instalarán cerca.
- Para instalación permanente en pared, asegúrese de fijar el gabinete a la estructura del edificio antes de la operación.
- Corte el material de embalaje con precaución. El rack podría rayarse causando daños que no están cubiertos por la garantía.
- Guarde los materiales de embalaje para utilizarlos en el futuro. Si el rack se vuelve a embalar y a enviar sin los materiales de embalaje originales, se pueden causar daños que anularán la garantía.
- No se recomienda usar este equipo en aplicaciones de mantenimiento artificial de la vida, donde se puede esperar razonablemente que su falla cause la falla del equipo de mantenimiento de la vida o que afecte de manera importante su seguridad o eficiencia. No use este equipo en presencia de mezclas anestésicas inflamables con aire, oxígeno u óxido nitroso.

2. Generalidades

Su Gabinete con Caja de Seguridad para DVR es una solución todo en uno para guardar con seguridad y enfriar un dispositivo grabador de video (DVR). Usando un alojamiento compacto de 6U, esta unidad puede instalarse convenientemente en paredes, así como configurarse para colocación sobre mesa o en el piso. Para evitar robo y manipulación del dispositivo, el modelo SRDVRLB viene equipado con una puerta con cerradura que se superpone sobre el panel superior y costados del gabinete. Para rendimiento óptimo del sistema, un ventilador de enfriamiento preinstalado con filtro de aire aumenta el flujo de aire frío dentro y restringe la entrada de partículas de polvo y contaminantes en el aire.

3. Identificación de las características



- A** Puerta Frontal con Cerradura
- B** Panel Superior Removible
- C** Rieles de montaje verticales
- D** Rieles horizontales
- E** Orificios Inferiores para Acceso de Cable
- F** Orificios Posteriores para Acceso de Cable
- G** Ventilación
- H** Ventilador de Enfriamiento con Filtro de Aire
- I** Ranuras para instalación y Orificios para Instalación del Soporte
- J** Orificios Inferiores para Instalación
- K** Abrazadera Removible de Soporte en Cruz (Usada para Instalar el Gabinete en Pared)

4. Instalación del rack



¡Precaución!



Lea todas las instrucciones y advertencias antes de la instalación.

Advertencia: Los racks pueden ser extremadamente pesados. No intente desembalarlo, moverlo ni instalarlo sin ayuda. Use máxima precaución al manipularlo y asegúrese de seguir todas las instrucciones de manipulación e instalación. No intente instalar equipos sin estabilizar primero el rack.

4.1 Preparación

El rack se debe instalar en una zona estructuralmente sana que pueda soportar su peso, el de todos los equipos que se instalarán en él y cualquier otro rack y/o equipos que se instalarán cerca. Antes de desembalar el rack, debería transportar el contenedor de envío lo más cerca posible de la ubicación de instalación final para minimizar la distancia que necesitará moverlo después de quitarle el embalaje protector. Si planea almacenarlo durante un período prolongado antes de instalarlo, siga las instrucciones de la sección **Almacenamiento y servicio**.

Necesitará las siguientes herramientas:

- Nivel
- Destornillador Philips
- Herramientas adecuadas para el montaje en la pared

También necesita las siguientes herramientas:

- Accesorios adecuados para instalación en pared o instalación sobre mesa/piso (no incluidos)

4.2 Desembalaje



Utilice al menos dos personas para desembalar el rack.



- 1** Mueva el pálet de envío hacia una superficie firme y nivelada.
- 2** Abra la caja y extraiga los cuatro protectores de goma espuma (gomapluma). Guarde todos los materiales de embalaje para uso futuro, a menos que esté seguro de que no serán necesarios. Los materiales de embalaje son reciclables.
- 3** Con una persona de cada lado, eleve el rack con cuidado hacia afuera del pálet y colóquelo en una superficie firme y nivelada.
- 4** Examine el rack para detectar daños o partes sueltas. Confirme que estén todas las partes. Si algo falta o está dañado, comuníquese con Tripp Lite para obtener ayuda. No intente usar el rack si está dañado.



Nunca extienda más de un componente del rack a la vez.



Advertencia: Nunca intente elevar o instalar el rack sin la ayuda adecuada. No intente elevar el rack usted solo.



5. Configuración del rack

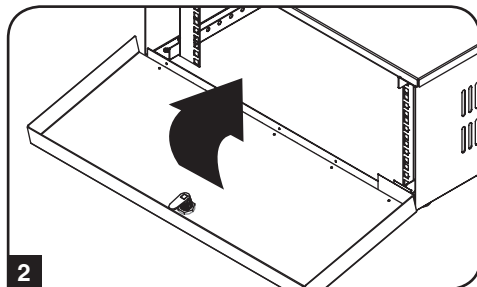
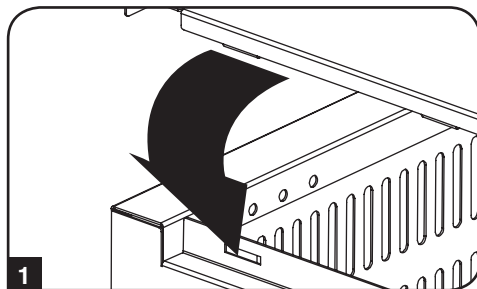
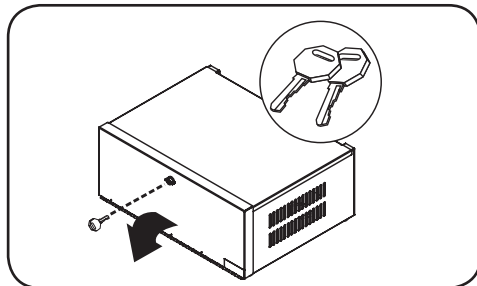
Antes de la instalación, asegúrese de planificar la ubicación y distribución de los componentes dentro del rack. Asegúrese de que todos los rieles de montaje estén al revés o ajustados según la profundidad, de acuerdo a la configuración del equipo.

5.1 Cerraduras de las puertas

La puerta frontal contiene una cerradura que se abre y cierra con las llaves incluidas.

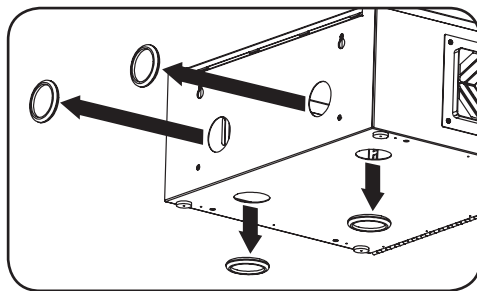
1 Antes de intentar cerrar y asegurar la puerta frontal, asegure que las ranuras del panel superior estén aseguradas dentro de las ranuras del panel posterior. Entonces coloque suavemente el panel superior sobre el marco del gabinete.

2 Una vez asegurado el panel superior, gire la puerta frontal hacia arriba. La puerta frontal se trasladará sobre el panel superior y los costados izquierdo y derecho del gabinete. Use una llave incluida para asegurar la puerta.



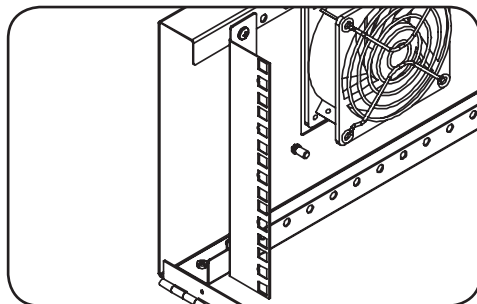
5.2 Administración y acceso a los cables

Las partes posterior e inferior del gabinete tienen, cada una, dos orificios circulares para acceso y administración del cable. Para destapar un orificio para acceso de cable, solamente expulse el tapón deseado.



5.3 Inversión del rack

El gabinete viene con rieles de instalación con orificios cuadrados para equipo DVR compatible para instalación en rack de 19 pulgadas. Para instalar su DVR, use las tuercas de fijación y otros accesorios de instalación incluidos (para información adicional, consulte la sección **7.1 Instalación o Remoción de Tuercas de Instalación**). **Advertencia: Asegúrese de tener el gabinete instalado firmemente en la pared, sobre la mesa o el piso antes de instalar cualquier equipo dentro de él. Asegúrese también de tener todos los ajustes correctos en sus rieles antes de instalar el equipo (para mayor información, consulte Ajuste de Profundidad de Riel de Instalación).**



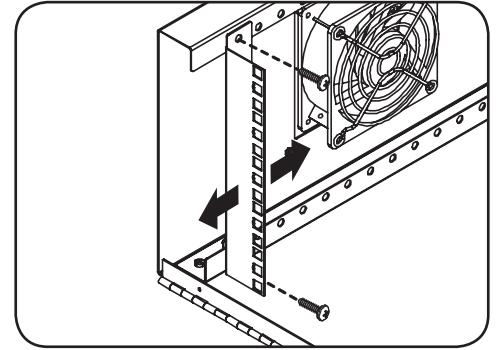
5. Configuración del rack (continuación)

5.4 Ajuste de la profundidad del riel de montaje

Advertencia: No intente ajustar los rieles mientras los equipos están instalados en el rack. No intente utilizar rieles sin tornillos instalados (dos por riel).

Los dos rieles de montaje están preinstalados para acomodar los equipos con una profundidad de montaje de 412 mm (16.25 pulgadas). No ajuste los rieles de montaje a menos que los equipos requieran una profundidad de montaje distinta. Los conjuntos de rieles frontales y traseros pueden ajustarse en forma independiente en incrementos de 25 mm (1 pulgada) para profundidades de montaje de entre 25 mm (1 pulgada) y 412 mm (16.25 pulgadas).

- 1 Cada riel está conectado al gabinete con dos tornillos y dos tuercas de fijación: un juego en la esquina superior y otro en la esquina inferior. Usando un desatornillador Phillips, retire los tornillos que sujetan los rieles al gabinete.
- 2 Deslice los rieles de montaje hasta la profundidad deseada y vuelva a unirlos mediante los tornillos que extrajo anteriormente en el Paso 1.



6. Instalación del Gabinete

6.1 Instalación en Pared

Advertencia: El gabinete soporta 27.2 kg (60 lb) de peso total del equipo. Para instalaciones de equipo pesado, instale la abrazadera de soporte en cruz dentro del gabinete. No intente instalar el gabinete en la pared con el equipo en el interior.

Nota: El gabinete debe ser instalado por un técnico calificado. Antes de instalar use un nivel y cinta de medir para posicionar con precisión su área de instalación. Use los elementos de sujeción adecuados (tornillos, taquetes, arandelas, etc.,—no incluidos) para asegurar el gabinete a la pared. Use los elementos de instalación apropiados para instalar en bloques de hormigón, concreto, tablaroca o entramado de madera. **Advertencia: La superficie de soporte debe ser capaz de soportar la carga combinada del equipo y todos los accesorios y componentes instalados.**

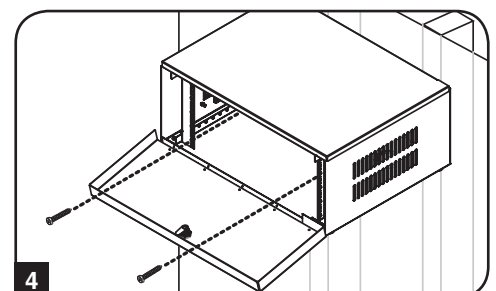
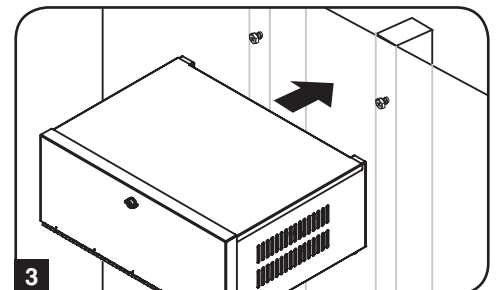
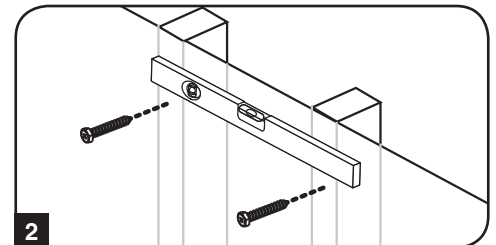
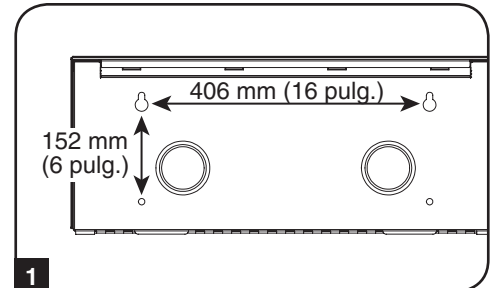
- 1 Hay dos ranuras pequeñas y dos orificios de instalación en la parte posterior del gabinete. Cada abertura puede aceptar un perno M8 o de 5/16 pulgada. Los orificios están espaciados 406 mm (16.25 pulgadas) horizontalmente y 150 mm (5.9 pulgadas) verticalmente, como se muestra en el diagrama.

Nota: Las instrucciones y diagramas de instalación abajo son para instalación sobre taquetes de madera. Para instalación en muro sólido o hueco, verifique primero que cualquier anclaje usado se capaz de soportar el peso del gabinete y sus contenidos.

- 2 Usando una cinta mida y nivele, identifique la ubicación en la pared en que desea posicionar su gabinete y marque dos orificios de instalación separados a 406 mm (16.25 pulgadas). Inserte entonces dos tornillos M8 o 5/16 pulgada en las marcas de orificios de instalación. Una vez insertados los accesorios, asegúrese de dejar un espacio de 3 mm (1/8 pulgada) entre la cabeza del tornillo y la pared.

- 3 Con la ayuda de un asistente o dispositivo mecánico de elevación, cuelgue las ranuras de instalación en el gabinete de los tornillos colocados en la pared. Las ranuras de instalación ajustarán sobre los tornillos y el gabinete se deslizará hacia abajo hasta asegurarse. Apriete los tornillos una vez que se determine que el gabinete está firmemente soportado.

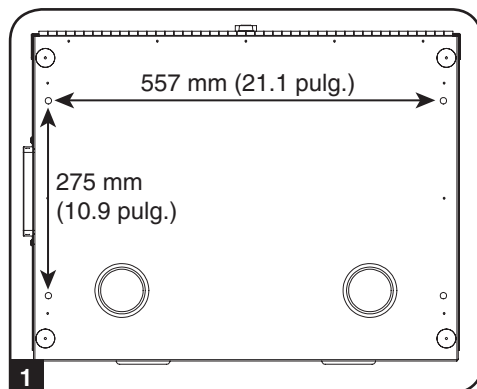
- 4 Asegure el gabinete a la pared apretando dos tornillos M8 o 5/16 pulgada a través de los orificios de instalación del soporte.



6. Instalación del Gabinete (continuación)

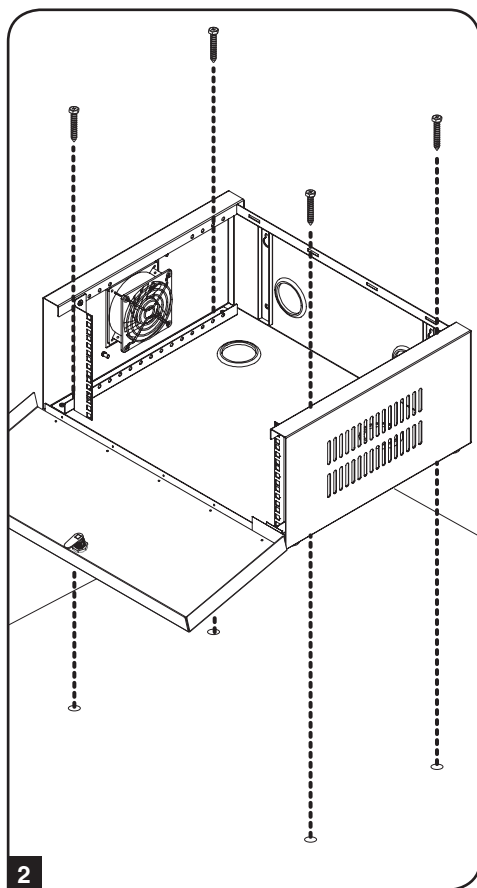
6.2 Instalación sobre Mesa/Piso

- 1 Existen cuatro orificios de instalación en la parte inferior del gabinete. Cada orificio puede aceptar un perno M8 o de 5/16 pulgada. Los orificios están espaciados 557 mm (21.9 pulgadas) horizontalmente y 275 mm (10.8 pulgadas) verticalmente, como se muestra en el diagrama.



- 2 Usando una cinta métrica, identifique la ubicación sobre una mesa o el piso donde desea posicionar su gabinete y marque dos orificios de instalación separados 557 mm (21.9 pulgadas) horizontalmente y separados 275 mm (10.8 pulgadas) verticalmente. Retire el panel superior del gabinete. Entonces alinee el gabinete con los orificios marcados y asegure el gabinete usando cuatro tornillos M8 o 5/16 pulgada.

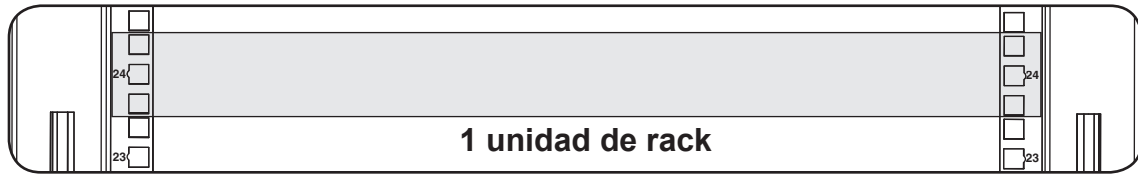
Nota: Dependiendo de la superficie, puede necesitarse barrenar orificios piloto antes de la instalación de los accesorios.



7. Instalación de equipos

Advertencia: No instale equipos hasta que haya estabilizado el rack. Instale primero los equipos más pesados en la parte inferior del rack. Instálelos de abajo hacia arriba, nunca en sentido contrario. Si usa rieles para equipos deslizantes, tenga cuidado al extender los rieles. No extienda más de un juego de rieles a la vez. Evite extender rieles de equipos deslizantes cerca del aparte superior del rack.

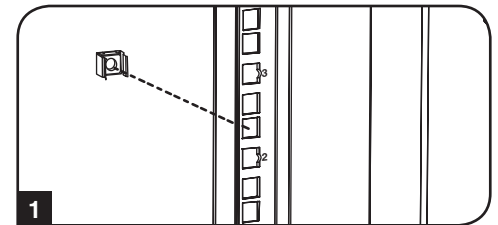
Nota: Los orificios cuadrados en el centro de cada unidad del rack están numerados y también incluyen una pequeña muesca para identificarlos. Una sola unidad de rack incluye el espacio ocupado por el orificio numerado y los orificios ubicados directamente encima y debajo.



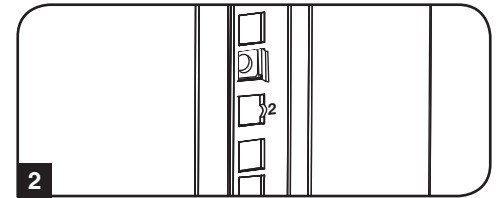
7.1 Instalación o extracción de las tuercas de jaula

ADVERTENCIA: Las bridas de las tuercas en jaula deben engancharse en los lados de la abertura cuadrada del riel, no en la parte superior o inferior. Siga las instrucciones de la documentación de sus equipos para instalarlos correctamente.

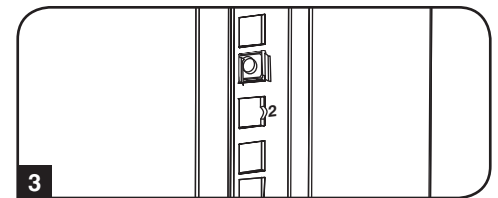
1 Ubique las aberturas cuadradas numeradas en los rieles de montaje en donde planea instalar los equipos. Instalará tuercas en jaula (incluidas) en las aberturas cuadradas para obtener un punto de fijación para los tornillos de montaje (incluidos). **Nota:** Consulte la documentación de su equipo para determinar cuántas tuercas en jaula necesitará y dónde debe instalarlas.



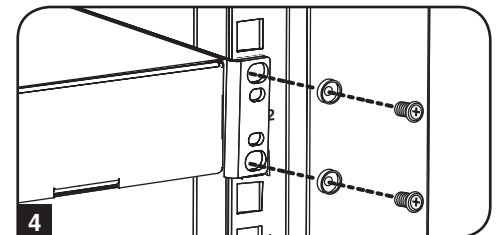
2 Desde la parte interior del riel de montaje, inserte una de las bridas de la tuerca de jaula a través de la abertura. Presiónela contra el lado de la abertura cuadrada. Cada brida debe engancharse en un lado de la abertura cuadrada, ni arriba ni abajo.



3 Apriete la tuerca de jaula por los costados suavemente, para permitir que la brida restante encaje a través de la abertura cuadrada. Cuando la tuerca de jaula esté instalada adecuadamente, ambas bridas asomarán a través de la abertura cuadrada y podrán verse desde la superficie exterior del riel de montaje. Repita los pasos 1 a 3 hasta que todas las tuercas en jaula estén instaladas.



4 Después de instalar las tuercas de seguridad, use los tornillos de instalación negros incluidos y arandelas de seguridad para fijar su equipo al riel del rack. Coloque las arandelas de seguridad entre los tornillos y las ménsulas de instalación del equipo.



Nota: Su equipo también puede incluir herramientas de montaje. Lea las instrucciones de montaje de su equipo antes de instalarlo.

Para extraer las tuercas en jaula, siga los pasos 1 a 3 en sentido inverso

Nota: Puede usar una herramienta para tuercas en jaula (suministrada por el usuario) para ayudarse en la instalación y extracción.

8. Almacenamiento y servicio

Almacenamiento

El rack debe almacenarse en un ambiente interior controlado, lejos de la humedad, temperaturas extremas, líquidos y gases inflamables, contaminantes conductores, el polvo y la luz directa del sol. Si es posible, almacénelo en su contenedor de envío original.

Servicio

El rack está cubierto por la garantía limitada que se describe en este manual. Para obtener más información, visite www.tripplite.com/support.

9. Garantía

Garantía limitada por 5 años

El vendedor garantiza que este producto no tiene defectos originales de materiales ni de mano de obra por un período de cinco años a partir de la fecha original de compra, si se utiliza de acuerdo con todas las instrucciones correspondientes. En caso de demostrarse dentro de ese período que el producto tiene defectos de materiales o de mano de obra, el vendedor lo reparará o reemplazará a su exclusiva discreción.

ESTA GARANTÍA NO CUBRE EL DESGASTE NORMAL NI LOS DAÑOS CAUSADOS POR ACCIDENTES, MAL USO, ABUSO O NEGLIGENCIA. EL VENDEDOR NO OFRECE NINGUNA GARANTÍA EXPRESA QUE NO SEA LA ESTABLECIDA EXPRESAMENTE EN EL PRESENTE DOCUMENTO. EXCEPTO EN LA MEDIDA EN QUE LO PROHÍBAN LAS LEYES APLICABLES, LA DURACIÓN DE TODAS LAS GARANTÍAS IMPLÍCITAS, INCLUIDAS LAS DE COMERCIALIZACIÓN O APTITUD, SE LIMITA AL PERÍODO DE GARANTÍA ANTES MENCIONADO Y ESTA GARANTÍA EXCLUYE EXPRESAMENTE TODOS LOS DAÑOS INCIDENTALES E INDIRECTOS. (Algunos Estados no permiten las limitaciones a la duración de una garantía implícita y algunos Estados no permiten la exclusión o limitación de los daños incidentales o indirectos, de modo que las limitaciones o exclusiones antes mencionadas pueden no corresponder en su caso. Esta garantía le otorga derechos legales específicos y usted puede tener otros derechos que varían de una jurisdicción a otra).

ADVERTENCIA: Antes de usar este dispositivo, cada usuario debe ocuparse de determinar si es apto, adecuado o seguro para el uso que pretende darle. Dado que las aplicaciones individuales están sujetas a diversas variaciones, el fabricante no representa ni garantiza la idoneidad o condición de estos dispositivos para cualquier aplicación específica.

Tripp Lite tiene la política de mejora continua. Las especificaciones están sujetas a cambios sin notificación previa.



Manuel du propriétaire

Enceinte de boîtier de sécurité DVR

Modèle : SRDVRLB

Table des matières

1. Consignes de sécurité importantes	20	6. Montage de l'enceinte	24
2. Aperçu	20	6.1 Montage mural	24
3. Identification des caractéristiques	21	6.2 Montage sur table/au plancher	25
4. Installation de l'enceinte	22	7. Installation de l'équipement	26
4.1 Préparation	22	7.1 Installation ou retrait des	26
4.2 Déballage	22	écrous à cage	
5. Configuration de l'enceinte	23	8. Entreposage et entretien	27
5.1 Serrures des portes	23	9. Garantie	27
5.2 Accès et gestion des câbles	23	English	1
5.3 Rails de montage	23	Español	10
5.4 Ajustement la profondeur des rails de montage	24		



1111 W. 35th Street, Chicago, IL 60609 USA • www.triplite.com/support

Droits réservés © 2015 Tripp Lite. Toutes les marques déposées sont la propriété exclusive de leurs propriétaires respectifs.

1. Consignes de sécurité importantes



CONSERVEZ CES INSTRUCTIONS

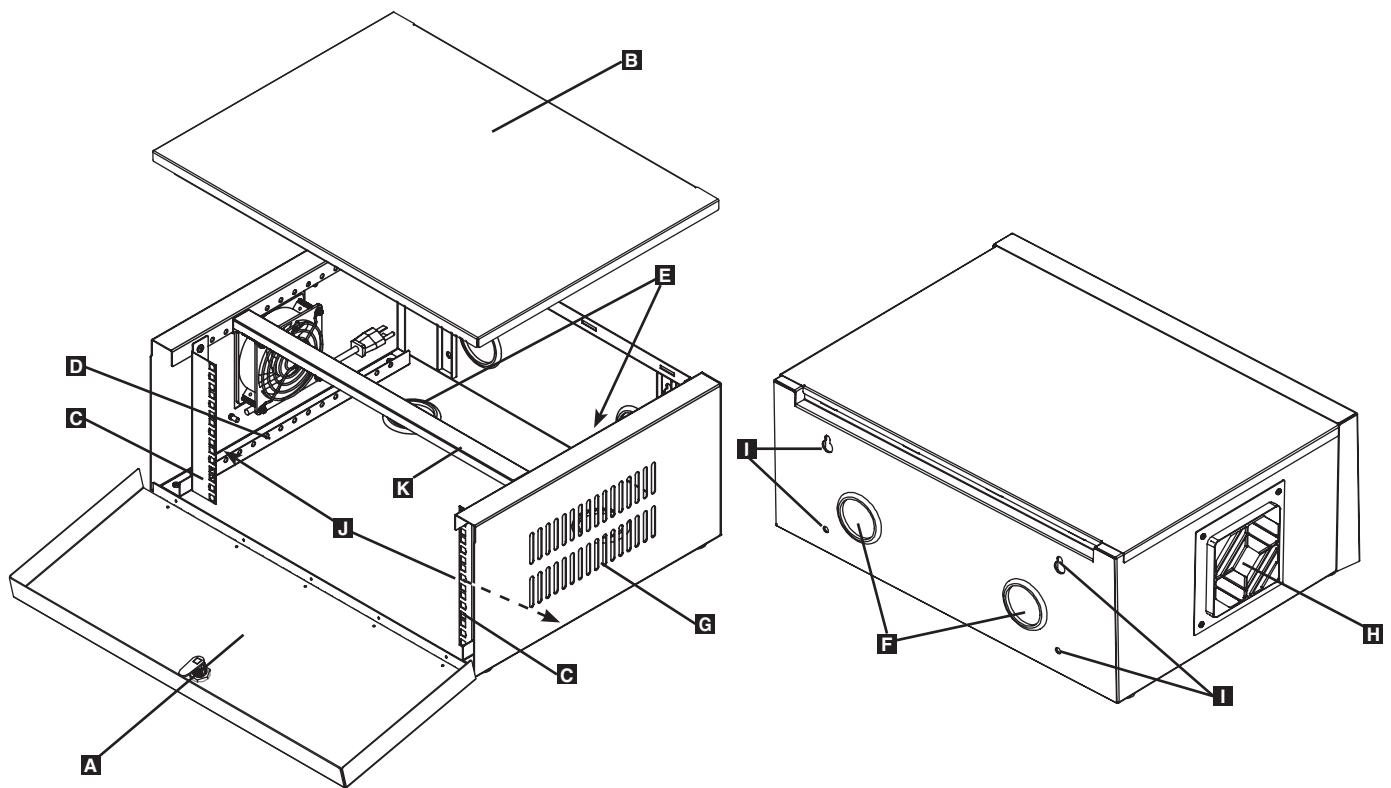
Ce manuel contient des instructions et des avertissements qui doivent être respectés lors de l'installation et du fonctionnement du produit décrit dans ce manuel. Le non-respect de ces instructions et avertissements peut annuler la garantie et causer des dommages matériels ou corporels.

- Conservez l'enceinte dans un environnement contrôlé à l'intérieur, loin de l'humidité extrême, des liquides inflammables et des gaz, des contaminants conducteurs, de la poussière et des rayons directs du soleil.
- Laissez un espace adéquat à l'avant et l'arrière du l'enceinte pour une bonne ventilation. Ne pas obstruer, couvrir ou insérer d'objets dans les orifices de ventilation externe de l'enceinte.
- L'enceinte est extrêmement lourde. Soyez prudent lorsque vous manipulez l'enceinte. Ne tentez pas de la déballer, de la déplacer ou de l'installer sans aide. Utilisez un dispositif mécanique tel qu'un chariot élévateur ou un transpalette pour déplacer l'enceinte dans l'emballage de transport.
- Ne placez aucun objet sur l'enceinte, en particulier des récipients de liquide et ne tentez pas d'empiler les enceintes.
- Inspectez l'emballage de transport et l'enceinte pour tout dommage subi pendant le transport. N'utilisez pas l'enceinte si elle est endommagée.
- Laissez l'enceinte dans l'emballage de transport jusqu'à ce qu'elle ait été déplacée le plus près de l'emplacement d'installation possible.
- Installez l'enceinte dans une zone structurellement capable de supporter la charge ou sur un plancher plat qui est capable de supporter le poids de l'enceinte et de tout le matériel qui sera installé dans l'enceinte et toute autre enceinte et/ou équipement qui sera installé à proximité.
- Pour montage mural permanent, s'assurer de fixer le boîtier à la structure du bâtiment avant l'utilisation.
- Faites preuve de prudence lors de la découpe des matériaux d'emballage. L'enceinte peut être rayée, causant des dommages non couverts par la garantie.
- Conservez tous les matériaux d'emballage pour une utilisation ultérieure. Remballer et expédier l'enceinte sans l'emballage d'origine peut causer des dommages au produit qui annuleront la garantie.
- L'utilisation de cet équipement dans des applications médicales où il est raisonnable de penser qu'une panne de cet équipement pourrait provoquer l'échec de l'équipement de survie ou affecter de manière significative sa sécurité ou son efficacité n'est pas recommandée. N'utilisez pas cet équipement en présence d'un mélange anesthésique inflammable avec l'air, l'oxygène ou l'oxyde nitreux.

2. Aperçu

L'enceinte de boîtier de sécurité DVR est une solution tout-en-un pour ranger et refroidir en toute sécurité un enregistreur vidéo numérique (DVR). Équipé d'un boîtier compact 6U, cet appareil peut être commodément monté au mur de même que configuré pour une table ou placé sur le plancher. Pour prévenir le vol et l'altération de l'appareil, le modèle SRDVRLB est doté d'une porte verrouillable qui chevauche le panneau supérieur et les côtés de l'enceinte. Pour optimiser la performance du système, un ventilateur de refroidissement préinstallé, avec un filtre à air, accroît la circulation d'air et limite la poussière et les particules volatiles.

3. Identification des caractéristiques



- A** Porte avant verrouillable
- B** Panneau supérieur amovible
- C** Rails de montage verticaux
- D** Rails horizontaux
- E** Trous d'accès aux câbles inférieurs
- F** Trous d'accès aux câbles arrière
- G** Évents
- H** Ventilateur de refroidissement avec filtre à air
- I** Trous de serrure de montage et trous de montage du support
- J** Trous de montage inférieurs
- K** Entretoise d'appui transversal amovible (utilisée pour le montage mural du boîtier)

4. Installation de l'enceinte



Attention!



Lisez toutes les instructions et les avertissements avant l'installation!

Attention : Les enceintes peuvent être extrêmement lourdes. N'essayez Ne tentez pas de les déballer, de les déplacer ou de les installer sans assistance. Soyez extrêmement prudent lorsque vous manipulez l'enceinte et assurez-vous de suivre toutes les manipulations et les instructions d'installation. N'essayez pas d'installer des équipements sans avoir d'abord stabilisé l'enceinte.

4.1 Préparation

L'enceinte doit être installée dans une zone structurellement capable de supporter le poids de l'enceinte, tout le matériel qui sera installé dans l'enceinte et toute autre enceinte et/ou équipement qui sera installé à proximité. Avant de déballer l'enceinte, vous devriez transporter l'emballage de transport près de l'emplacement d'installation définitive pour minimiser la distance que vous aurez besoin de déplacer l'appareil une fois que l'emballage de protection a été retiré. Si vous prévoyez entreposer l'enceinte pendant une période prolongée avant l'installation, suivez les instructions dans la section **Entreposage et entretien**.

Vous avez besoin de plusieurs outils :

- Niveau
- Tournevis cruciforme
- Outils appropriés au montage mural

Vous avez aussi besoin du matériel suivant :

- Quincaillerie appropriée pour le montage mural ou le montage sur une table/au plancher (non incluse)

4.2 Déballage



Utilisez au moins deux personnes pour déballer l'enceinte.



- 1** Déplacez la palette d'expédition sur une surface solide et plane.
- 2** Ouvrez la boîte et enlever les quatre protecteurs de coin en mousse. Conservez tous les matériaux d'emballage pour une utilisation ultérieure, sauf si vous êtes certain(e) qu'ils ne seront pas nécessaires. Les matériaux d'emballage sont recyclables.
- 3** Avec une personne de chaque côté, soulevez l'enceinte délicatement hors de la palette et placez-la sur une surface ferme et plane.
- 4** Examinez l'enceinte pour tout dommage ou pièce détachée. Confirmez que toutes les pièces sont présentes. Si quelque chose est manquant ou endommagé, contactez Tripp Lite pour de l'aide. Ne tentez pas d'utiliser l'enceinte si elle a été endommagée.



Ne jamais prolonger plus d'un composant de l'enceinte à la fois.



Attention : N'essayez jamais de soulever ou d'installer sans aide. N'essayez pas de soulever l'enceinte seul.



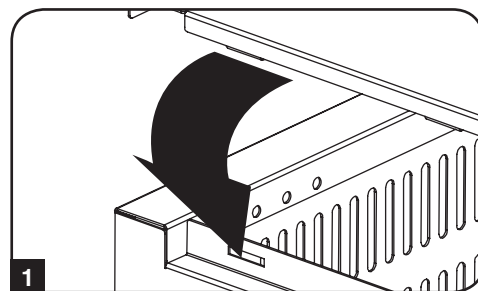
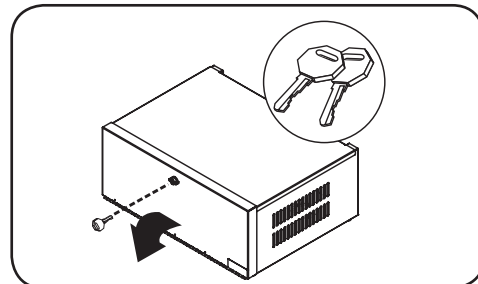
5. Configuration de l'enceinte

Avant l'installation, assurez-vous de planifier l'emplacement et l'agencement des composants dans l'enceinte. Assurez-vous que tous les rails de montage sont inversés ou ajusté pour la profondeur, en fonction de la configuration de votre équipement.

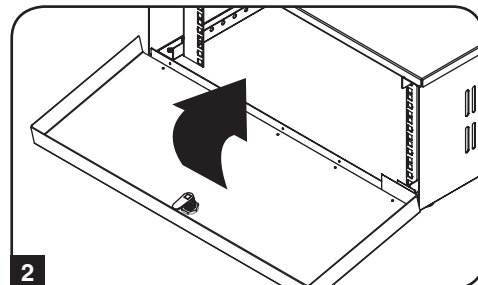
5.1 Serrures de portes

La porte avant comporte un verrou qui est accessible avec les clés incluses.

1 Avant de tenter de fermer et de verrouiller la porte avant, s'assurer d'abord que les encoches du panneau supérieur sont maintenues en place à l'intérieur des fentes du panneau arrière. Placer ensuite délicatement le panneau supérieur sur le cadre de l'enceinte.

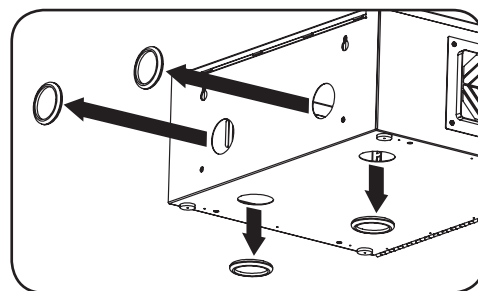


2 Une fois le panneau supérieur retenu en place, pivoter la porte avant vers le haut. La porte avant chevauchera le panneau supérieur et les côtés gauche et droit de l'enceinte. Utiliser une clé incluse pour verrouiller la porte.



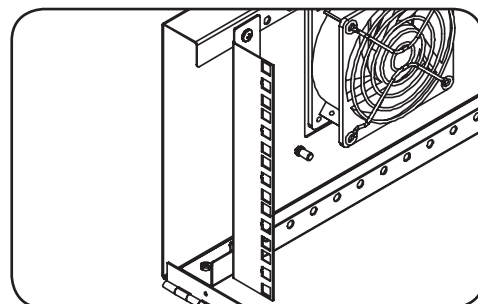
5.2 Accès et gestion des câbles

L'arrière et la partie inférieure de l'enceinte comportent deux trous circulaires par côté pour l'accès et la gestion des câbles. Pour découvrir le trou d'accès aux câbles, sortir simplement le capuchon concerné.



5.3 Rails de montage

L'enceinte est dotée de rails de montage avec des trous carrés pour l'équipement DVR compatible avec le montage en bâti de 19 po. Pour installer le DVR, utiliser les écrous à cage inclus et d'autre quincaillerie de l'appareil (voir la section **7.1 Installer ou retirer les écrous à cage** pour de plus amples informations). **Avertissement : S'assurer que l'enceinte est montée au mur, sur la table ou au plancher de façon sécuritaire avant de monter l'équipement à l'intérieur. S'assurer également de la justesse des réglages sur les rails avant de monter l'équipement (voir Réglage de la profondeur de montage des rails, ci-dessous, pour de plus amples informations).**



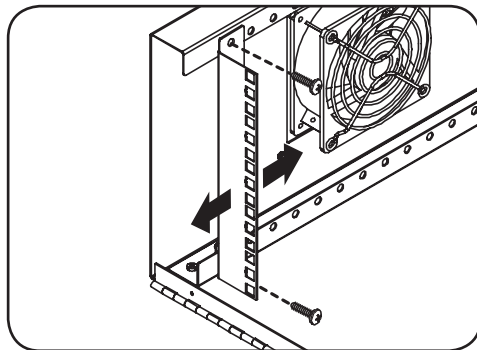
5. Configuration de l'enceinte suite

5.4 Ajustement la profondeur des rails de montage

Attention : N'essayez pas d'ajuster les rails tandis que l'équipement est installé dans l'enceinte. Ne tentez pas d'utiliser des rails sans avoir d'abord installé les vis (deux par rail).

Les deux rails de montage sont préinstallés pour accueillir de l'équipement avec une profondeur de montage de. N'ajustez pas les rails de montage, sauf si votre matériel nécessite une profondeur de montage différente. Les rails avant et arrière peuvent être ajustés indépendamment pour le montage de l'équipement avec des profondeurs de 25 mm (1 pouce) à 412 mm (16,25 pouces).

- 1 Chaque rail est connecté au boîtier au moyen de deux vis et de deux écrous à cage : une ensemble dans le coin supérieur et un autre dans le coin inférieur. À l'aide d'un tournevis Phillips, enlever les vis qui retiennent les rails au boîtier.
- 2 Glissez les rails de montage à la profondeur voulue et rattachés-les avec les vis retirées à l'étape 1.



6. Montage de l'enceinte

6.1 Montage mural

Avertissement : L'enceinte peut supporter un total de 27 kg (60 lb) d'équipement. Installer l'entretoise d'appui transversal à l'intérieur du boîtier pour l'installation d'équipement lourd. Ne pas tenter de monter le boîtier au mur avec l'équipement dans le boîtier.

Remarque : Le boîtier doit être installé par un technicien qualifié seulement. Avant le montage, utiliser un niveau et un ruban à mesurer pour placer avec précision les zones de montage. Utiliser des fixations appropriées (non incluses) pour retenir le boîtier au mur. Utiliser des moyens de montage appropriés pour une installation sur des blocs de béton de mâchefer, du béton, des cloisons sèches ou des colombages en bois. **Avertissement : La surface d'appui doit pouvoir supporter sans risque la charge combinée de l'équipement et de tout le matériel et composants attachés.**

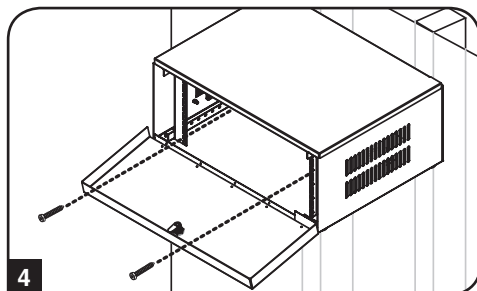
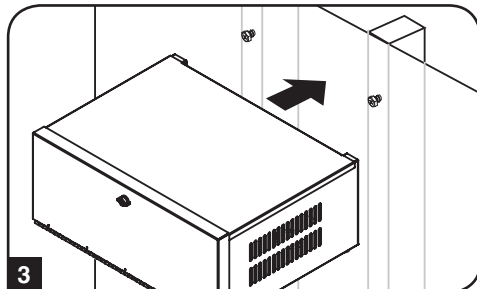
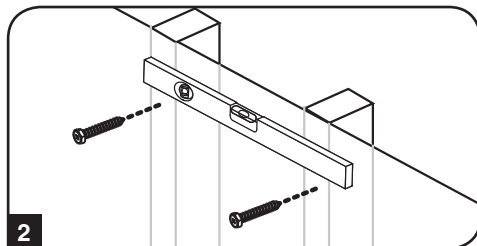
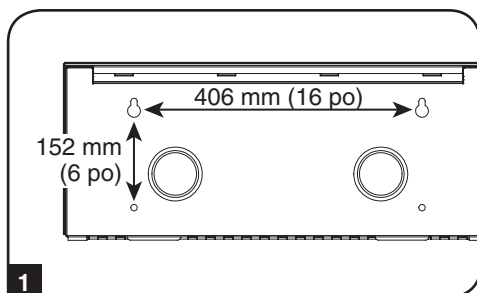
- 1 Il y a deux fentes de trou de serrure et deux trous de montage de support à l'arrière de l'enceinte. Chaque trou de clé peut accueillir un boulon M8 ou de 5/16 po. Les trous sont espacés de 406 mm (16 po) sur le plan horizontal et de 150 mm (5,9 po) sur le plan vertical, tel qu'illustré dans le diagramme.

Remarque : Les instructions de montage mural et les diagrammes, ci-dessous, sont destinés au montage dans des montants en bois. Pour un montage mural dans des murs massifs ou creux, vérifier d'abord que les ancrages utilisés sont aptes à supporter le poids de l'enceinte et de son contenu.

- 2 À l'aide d'un ruban à mesurer et d'un niveau, identifier l'emplacement sur le mur où l'enceinte sera placée et marquer deux trous de montage à 406 mm (16 po) d'intervalle. Insérer ensuite deux boulons M8 ou de 5/16 po dans les repères pour trous de montage. Au moment d'insérer la quincaillerie, s'assurer de laisser un espace de 3 mm (1/8 po) entre la tête du boulon et le mur.

- 3 Avec l'aide d'un assistant ou d'un appareil de levage mécanique, suspendre les trous de clé de l'enceinte sur les boulons fixés au mur. Les trous de clé s'adapteront par-dessus les boulons et l'enceinte devrait glisser vers le bas jusqu'à ce qu'elle repose bien en place. Serrer les boulons une fois qu'il est établi que l'enceinte est supportée sans présenter de risque.

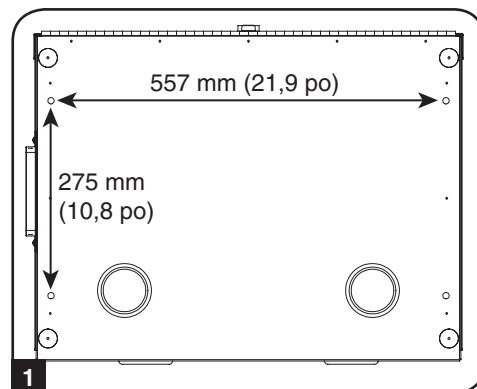
- 4 Retenir l'enceinte au mur en fixant deux boulons M8 ou de 5/16 po, fournis par l'utilisateur, à travers les trous de montage du support.



6. Montage de l'enceinte suite

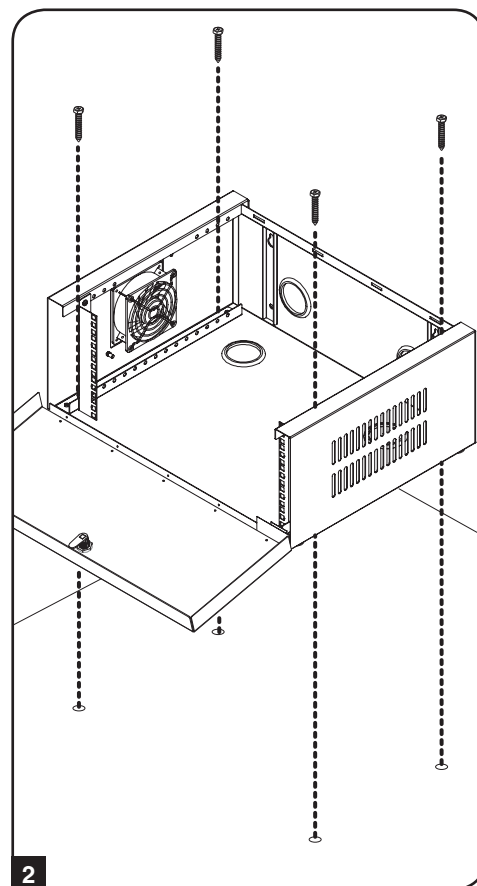
6.2 Montage sur table/au plancher

1 Il y a quatre trous de montage dans la partie inférieure de l'enceinte. Chaque trou peut accueillir un boulon M8 ou de 5/16 po. Les trous sont espacés de 557 mm (21,9 po) sur le plan horizontal et de 275 mm (10,8 po) sur le plan vertical, tel qu'illustré dans le diagramme.



2 À l'aide d'un ruban à mesurer, identifier l'emplacement sur la table ou le plancher où l'enceinte sera placée et marquer deux trous de montage espacés de 557 mm (21,9 po) sur la plan horizontal et de 275 mm (10,8 po) sur le plan vertical. Retirer le panneau supérieur de l'enceinte. Aligner ensuite l'enceinte avec les trous de montage et retenir l'enceinte en place à l'aide de quatre boulons M8 ou de 5/16 po.

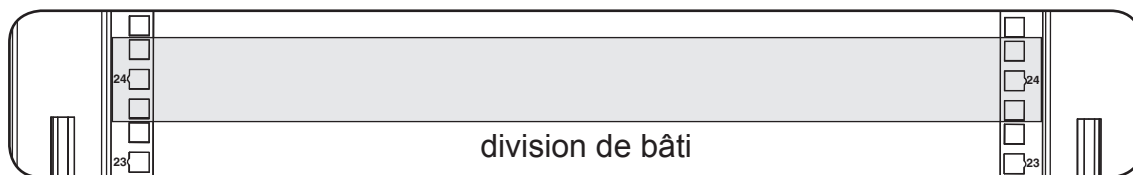
Remarque : Selon la surface, des avant-trous peuvent être percés avant l'installation de la quincaillerie.



7. Installation de l'équipement

Attention : N'installez pas l'équipement avant d'avoir stabilisé l'enceinte. Installez l'équipement lourd d'abord et vers le bas de l'enceinte. Installez l'équipement à partir du fond de l'enceinte en allant vers le haut - jamais l'inverse. Si vous utilisez des rails d'équipement coulissants, soyez prudent lors de l'extension des rails. Ne prolongez pas plus d'un ensemble de rails coulissants à la fois. Évitez l'extension des rails coulissants près du sommet de l'enceinte.

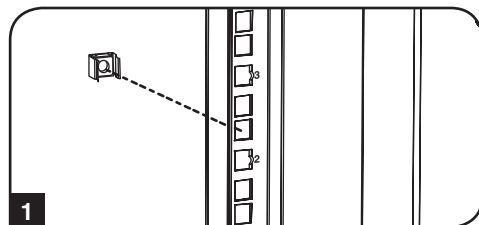
Remarque : Les trous carrés dans le centre de chaque unité sont numérotés et comprennent également une petite encoche pour faciliter l'identification. Une seule unité comprend l'espace occupé par le trou numéroté et les trous directement au-dessus et en dessous.



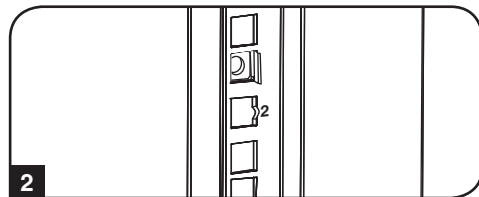
7.1 Installation ou retrait des écrous à cage

AVERTISSEMENT : Les brides des écrous à cage devraient engager les côtés de l'ouverture carrée dans le rail et non pas le haut et le bas. Suivez les instructions dans votre documentation pour assurer une bonne installation de votre équipement.

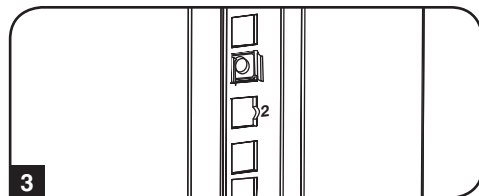
1 Repérez les ouvertures carrées numérotées dans les rails de montage où vous prévoyez installer votre équipement. Vous installerez les écrous à cage (inclus) dans les ouvertures carrées afin de fournir un point d'attache pour les vis de montage (incluses). **Remarque :** Consultez votre documentation pour déterminer combien d'écrous à cage seront nécessaires et où ils devront être installés.



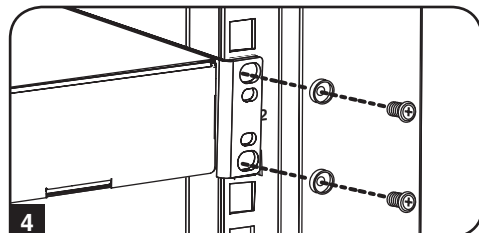
2 À partir de l'intérieur du rail de fixation, insérez l'une des brides de l'écrou à cage par l'ouverture carrée. Appuyez sur le côté de l'ouverture carrée. Chaque bride devrait s'engager d'un côté de l'ouverture carrée et non pas du haut ou du bas.



3 Compressez l'écrou à cage sur les côtés pour permettre à la bride de passer à travers l'ouverture carrée. Lorsque l'écrou à cage est correctement installé, les deux brides dépasseront par l'ouverture carrée et seront visibles sur la surface extérieure du rail de montage. Répétez les étapes 1 à 3 jusqu'à ce que tous les écrous à cage requis soient installés.



4 Après avoir posé les écrous à cage requis, utilisez les vis de montages noires incluses et les rondelles à collerette pour retenir votre équipement au rail du support. Placez les rondelles à collerettes entre les vis et les supports de montage de l'équipement.



Remarque : Votre équipement peut également inclure le matériel de montage. Lisez les instructions de montage fournies avec votre équipement avant d'installer votre équipement.

Pour retirer les écrous à cage suivez les étapes 1 à 3 à l'envers.

Remarque : Vous pouvez utiliser un outil d'écrou à cage (fourni par l'utilisateur) pour faciliter l'installation et l'enlèvement de l'écrou à cage.

8. Entreposage et entretien

Entreposage

L'enceinte doit être entreposée dans un environnement contrôlé à l'intérieur, loin de l'humidité extrême, des liquides inflammables et des gaz, des contaminants conducteurs, de la poussière et rayons directs du soleil. Entrez l'enceinte dans son emballage d'origine si possible.

Entretien

L'enceinte est couverte par la garantie limitée décrite dans ce manuel. Pour plus d'informations, visitez www.triplite.com/support.

9. Garantie

Garantie limitée de 5 ans

Le vendeur garantit que ce produit, s'il est utilisé conformément à toutes les instructions applicables, est exempt de défauts de matière et de main d'oeuvre pendant une période de 5 ans à partir de la date d'achat initiale. Si le produit présente un défaut de matière ou de main d'oeuvre pendant cette période, le vendeur s'engage à réparer ou remplacer le produit à sa seule discrétion.

CETTE GARANTIE NE S'APPLIQUE PAS À L'USURE NORMALE OU AUX DOMMAGES RÉSULTANT D'UN ACCIDENT, D'UN MAUVAIS USAGE OU NÉGLIGENCE. LE VENDEUR N'ACCORDE AUCUNE GARANTIE EXPRESSE QUE CELLE MENTIONNÉE EXPRESSÉMENT DANS LA PRÉSENTE. SAUF DANS LA MESURE INTERDITE PAR LES LOIS PERTINENTES, TOUTES LES GARANTIES IMPLICITES, Y COMPRIS LES GARANTIES DE QUALITÉ MARCHANDE OU D'ADÉQUATION À UN USAGE PARTICULIER, SONT LIMITÉES À LA DURÉE DE LA PÉRIODE DE GARANTIE SUSMENTIONNÉE ET LA PRÉSENTE GARANTIE EXCLUT EXPRESSÉMENT TOUS LES DOMMAGES FORTUITS OU CONSÉCUTIFS. (Certains juridictions n'autorisant pas de limitation de la durée de la garantie implicite ou d'autre l'exclusion ou la limitation des dommages fortuits ou consécutifs, les limitations ou exclusions susmentionnées peuvent ne pas s'appliquer à vous. La présente garantie vous donne des droits juridiques spécifiques et vous pouvez jouir d'autres droits qui varient d'une juridiction à une autre).

AVERTISSEMENT : Avant out usage, l'utilisateur doit déterminer si ce dispositif est adapté et approprié à l'usage prévu et s'il ne présente aucun danger. Puisque les applications individuelles sont sujettes à d'importantes variations, le fabricant ne prétend ni ne garantit que cet appareil est approprié ou apte pour toute application spécifique.

Tripp Lite applique une politique d'amélioration continue. Les spécifications sont sujettes à changement sans préavis.



1111 W. 35th Street, Chicago, IL 60609 USA • www.tripplite.com/support