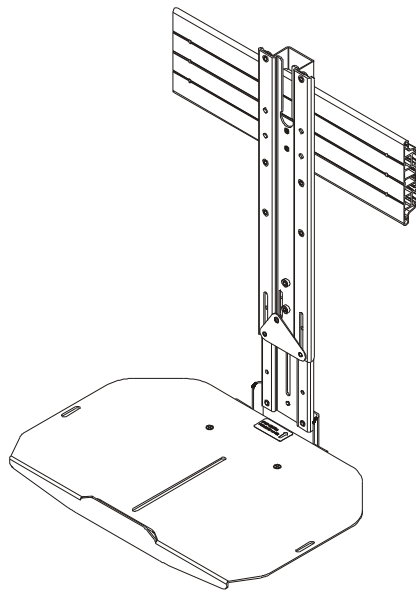
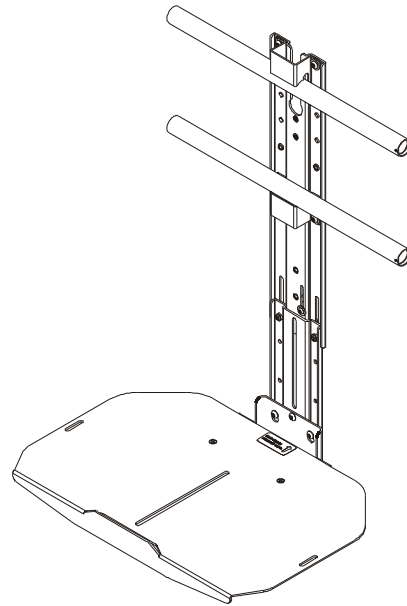

INSTALLATION INSTRUCTIONS



Below Cart/Ceiling



Below Wall

Fusion™ Below Component Shelf

DISCLAIMER

Milestone AV Technologies and its affiliated corporations and subsidiaries (collectively "Milestone"), intend to make this manual accurate and complete. However, Milestone makes no claim that the information contained herein covers all details, conditions or variations, nor does it provide for every possible contingency in connection with the installation or use of this product. The information contained in this document is subject to change without notice or obligation of any kind. Milestone makes no representation of warranty, expressed or implied, regarding the information contained herein. Milestone assumes no responsibility for accuracy, completeness or sufficiency of the information contained in this document.

Chief® is a registered trademark of Milestone AV Technologies. All rights reserved.



WARNING: Do not use this product outdoors.



WARNING: RISK OF INJURY TO PERSONS! Do not use this mounting system to support video equipment such as televisions or computer monitors.

--SAVE THESE INSTRUCTIONS--



IMPORTANT SAFETY INSTRUCTIONS



WARNING: A WARNING alerts you to the possibility of serious injury or death if you do not follow the instructions.



CAUTION: A CAUTION alerts you to the possibility of damage or destruction of equipment if you do not follow the corresponding instructions.



WARNING: Failure to read, thoroughly understand, and follow all instructions can result in serious personal injury, damage to equipment, or voiding of factory warranty! It is the installer's responsibility to make sure all components are properly assembled and installed using the instructions provided.



WARNING: Exceeding the weight capacity can result in serious personal injury or damage to equipment! It is the installer's responsibility to make sure the combined weight mounted to the FCA802 does not exceed 20 lbs (9 kg).



WARNING: Use of this accessory will decrease the weight capacity of the mount to which it is attached by the combined weight of the accessory and all components supported by this accessory!



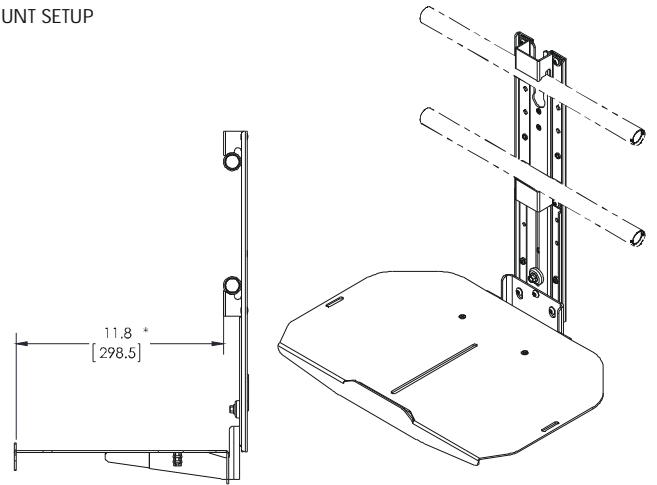
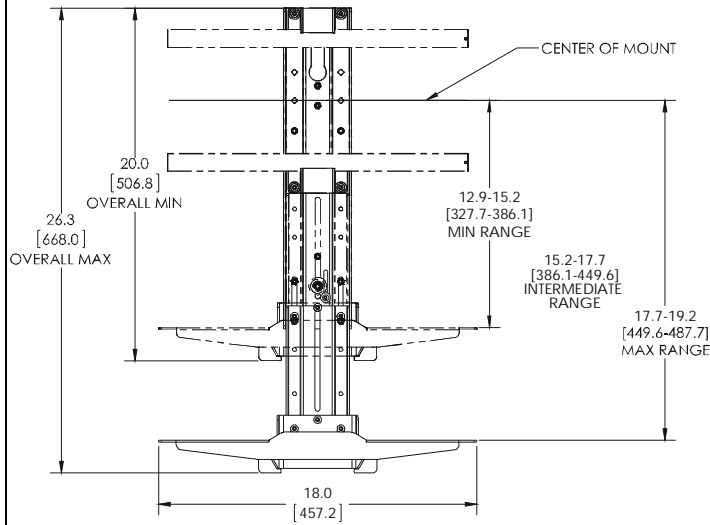
WARNING: Use this mounting system only for its intended use as described in these instructions. Do not use attachments not recommended by the manufacturer.



WARNING: Never operate this mounting system if it is damaged. Return the mounting system to a service center for examination and repair. RISK OF INJURY TO PERSONS! Do not place video equipment such as televisions or computer monitors on FCA802 shelf.

DIMENSIONS

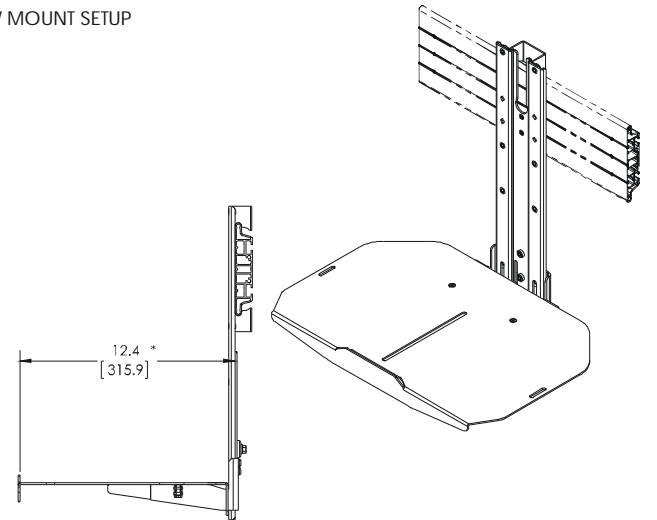
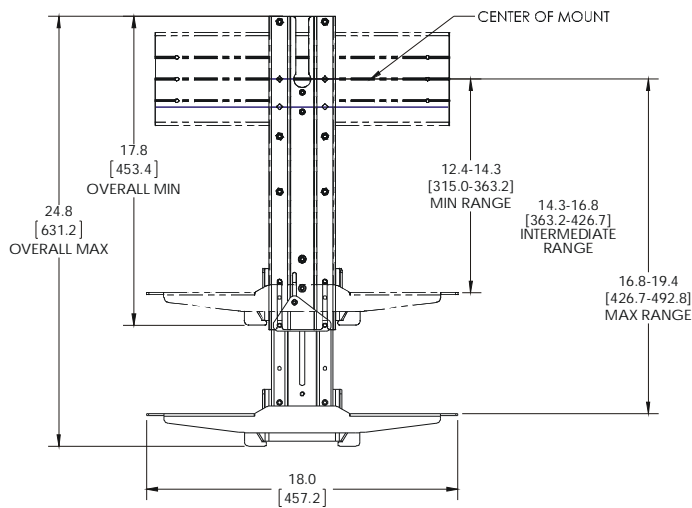
FUSION WALL BELOW MOUNT SETUP



(*)NOTES:

- TYPICAL FUSION INTERFACES ARE 0.625" [15.9] DEEP



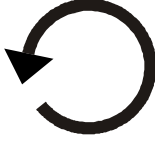


FUSION CEILING BELOW MOUNT SETUP



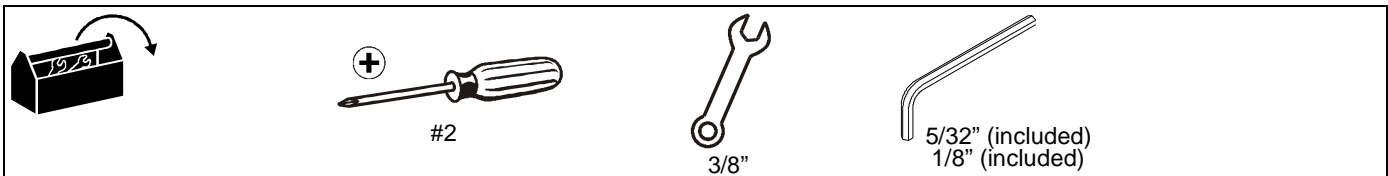
(*)NOTES:

- TYPICAL SINGLE DISPLAY MODELS HAVE INTERFACE DEPTHS .5" [12.7]
- TYPICAL DUAL DISPLAY MODELS HAVE INTERFACE DEPTHS 1.9" [48.3]
- FCA623 DUAL MONITOR INTERFACES ARE 1.4" DEEP [35.6]

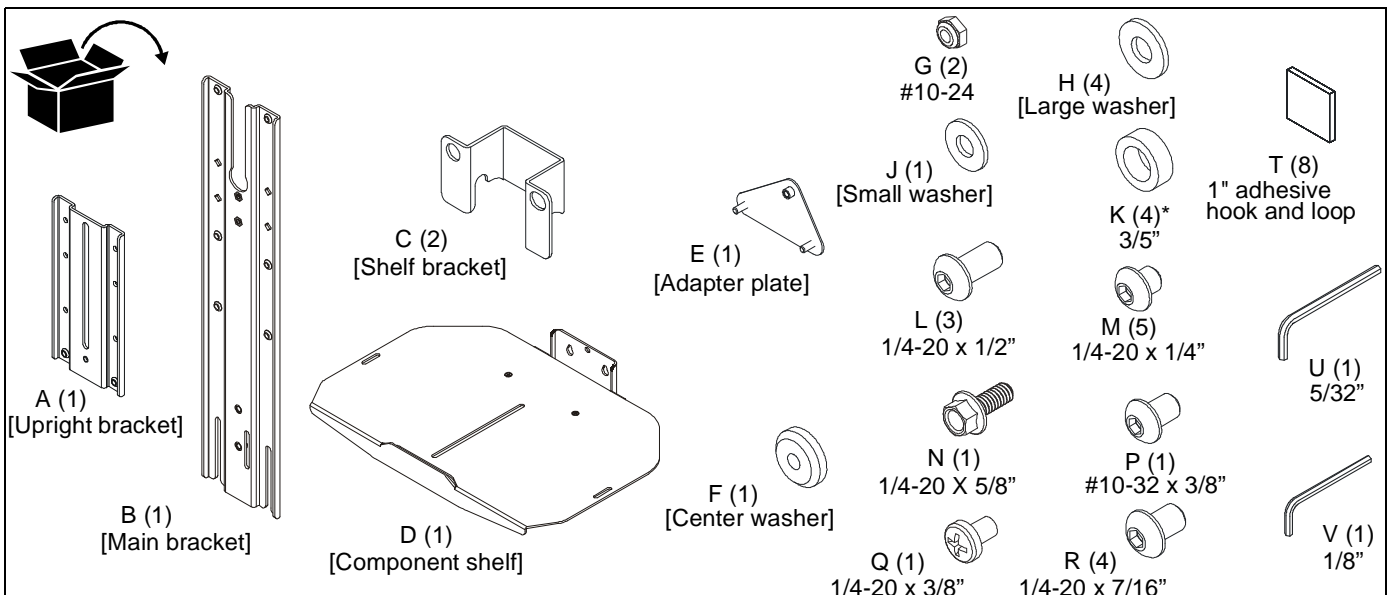
LEGEND

	<p>Tighten Fastener Apretar elemento de fijación Befestigungsteil festziehen Apertar fixador Serrare il fissaggio Bevestiging vastdraaien Serrez les fixations</p>		<p>Phillips Screwdriver Destornillador Phillips Kreuzschlitzschraubendreher Chave de fendas Phillips Cacciavite a stella Kruiskopschroevendraaier Tournevis à pointe cruciforme</p>
	<p>Loosen Fastener Aflojar elemento de fijación Befestigungsteil lösen Desapertar fixador Allentare il fissaggio Bevestiging losdraaien Desserrez les fixations</p>		<p>Open-Ended Wrench Llave de boca Gabelschlüssel Chave de bocas Chiave a punte aperte Steeksleutel Clé à fourche</p>
	<p>Hex-Head Wrench Llave de cabeza hexagonal Sechskantschlüssel Chave de cabeça sextavada Chiave esagonale Zeskantsleutel Clé à tête hexagonale</p>		

TOOLS REQUIRED FOR INSTALLATION



PARTS



ASSEMBLY AND INSTALLATION

NOTE: FCA802 shelves may ONLY be installed below displays.

Assembling Shelf to Upright Bracket

1. Install two 1/4-20 x 1/2" button head cap screws (L) into lowest holes on upright bracket (A). (See Figure 1) or (See Figure 2)
2. Hang component shelf (D) onto two screws installed in Step 1. (See Figure 1) or (See Figure 2)
3. Use one 1/4-20 x 1/4" button head cap screw (M) to secure upright bracket (A) to component shelf (D). (See Figure 1) or (See Figure 2)
4. Tighten all three screws to ensure upright bracket (A) is securely attached to component shelf (D).

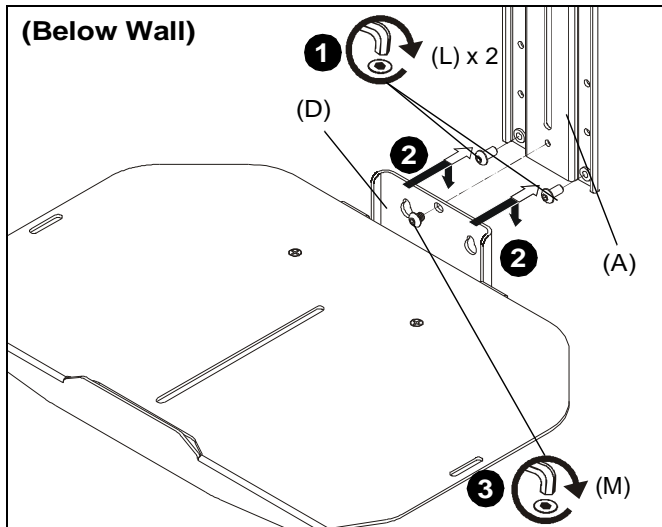


Figure 1

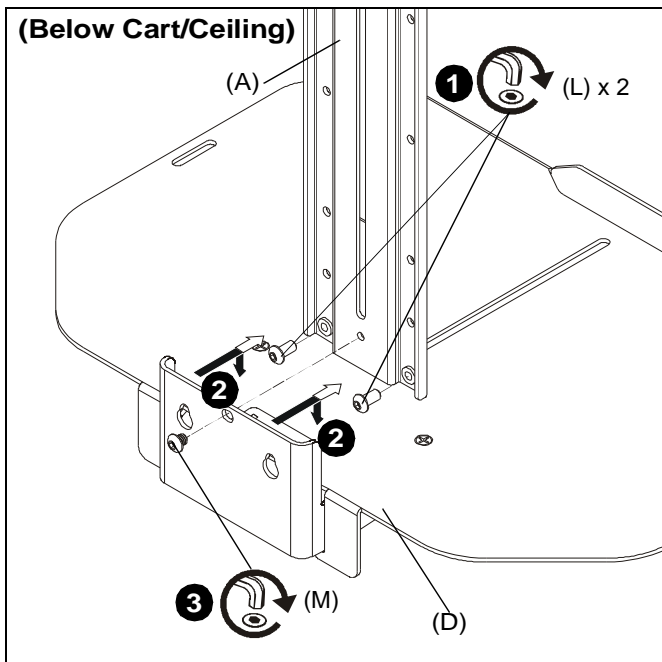


Figure 2

Attaching Shelf to Wall Mount

NOTE: If attaching to cart or ceiling mount, proceed to **Attach Shelf to Cart/Ceiling Section**.

1. Use two 1/4-20 x 1/4" button head cap screws (M) and two large washers (H) to secure shelf bracket (C) to main bracket (B). (See Figure 3)



CAUTION: Slide bracket with caution so that the bracket does not scratch or damage the wall!

2. Slide main bracket (B) behind wall mount rails until shelf bracket (C) rests on top of wall mount rail. (See Figure 3)

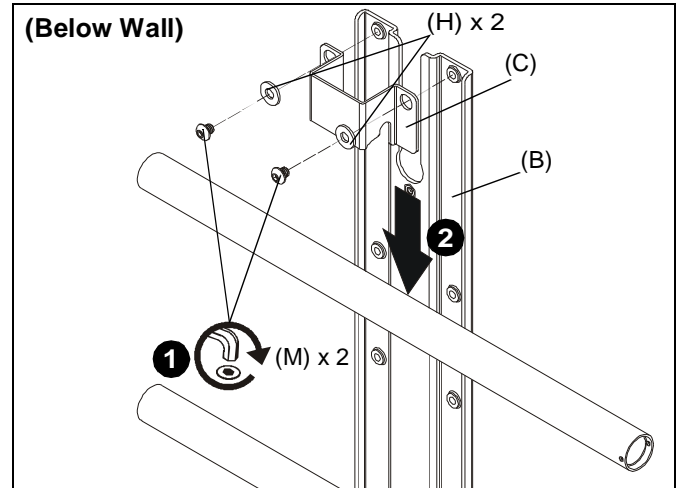


Figure 3

3. Slide second shelf bracket (C) underneath lower rail on wall mount, lining up holes on shelf bracket (C) to main bracket (B). (See Figure 4)
4. Use two 1/4-20 x 1/4" button head cap screws (M) and two large washers (H) to secure shelf bracket (C) to main bracket (B). (See Figure 4)

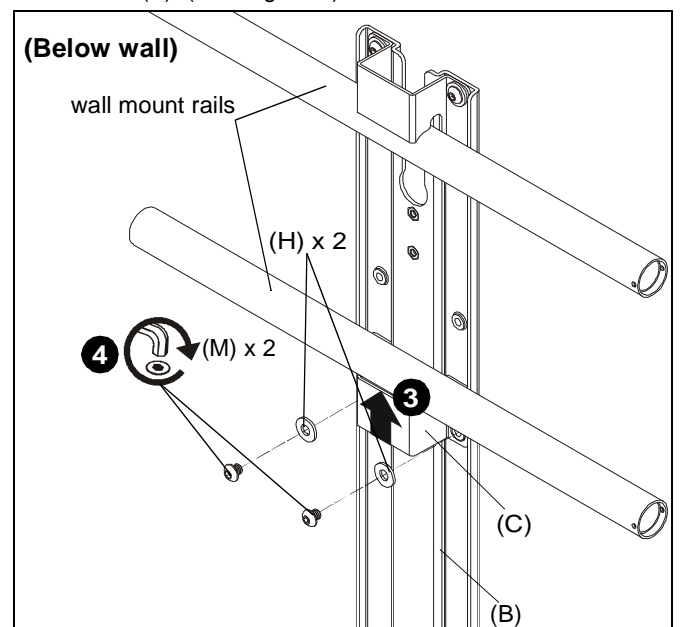


Figure 4

NOTE: Refer to Table 1 and dimension drawings on page 3 to determine the extension level based on extension distance from mount center.

Table 1: Below Wall Mount

Extension distance from center of mount (in.)	
12.9-15.2	Minimum
15.2-17.7	Intermediate
17.7-19.2	Maximum

- (For **maximum extension**) Use #10-32 x 3/8" button head cap screw (P) and small washer (J) to secure adapter plate (E) to main bracket (B). (See Figure 5)
- (For **maximum extension**) Use two #10-24 lock nuts (G) to secure upright bracket (A) to main bracket (B) and adapter plate (E). (See Figure 5)

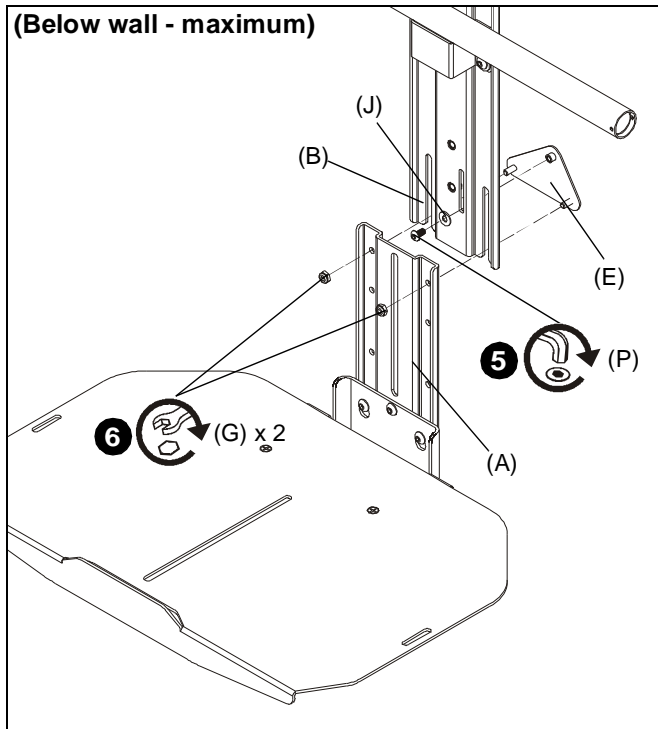


Figure 5

- (For **minimum/intermediate extension**) Use two #10-24 lock nuts (G) to secure upright bracket (A) to main bracket (B) and adapter plate (E). (See Figure 6)

NOTE: Minimum configuration is shown below. Several intermediate configurations are possible depending on which holes are used.

- (For **minimum/intermediate extension**) Use 1/4-20 x 5/8" hex head flange bolt (N) and center washer (F) to secure upright bracket (A) to main bracket (B). (See Figure 6)

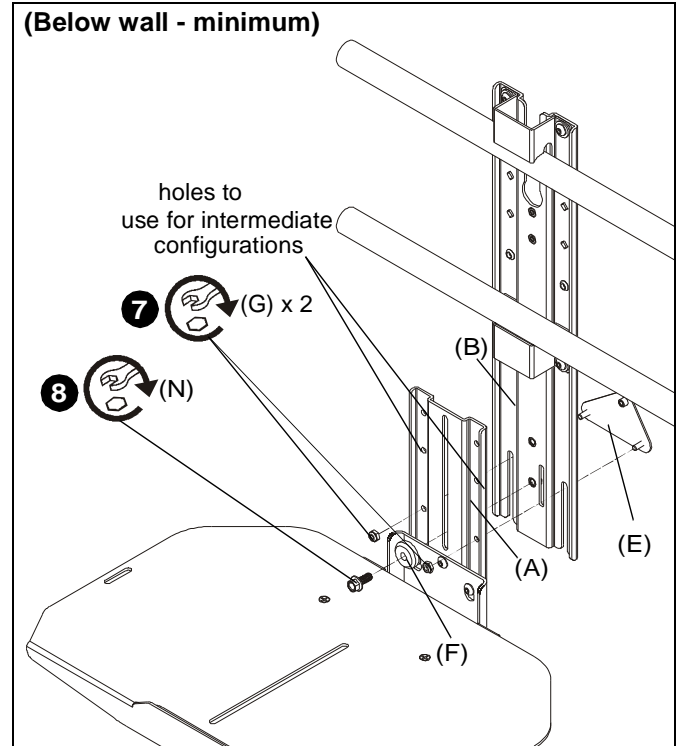


Figure 6

Attaching Shelf to Cart/Ceiling Mount

IMPORTANT ! : If installing to a 2x1 display cart using the FCA623 accessory, proceed to "Installing to FCA623 Accessory" Section (Step 6).

- Use two 1/4-20 x 1/4" button head cap screws (M) and two large washers (H) to secure shelf bracket (C) to main bracket (B). (See Figure 7)
- Slide main bracket (B) onto front of cart/ceiling mount head assembly until shelf bracket (C) rests on top of head assembly. (See Figure 7)

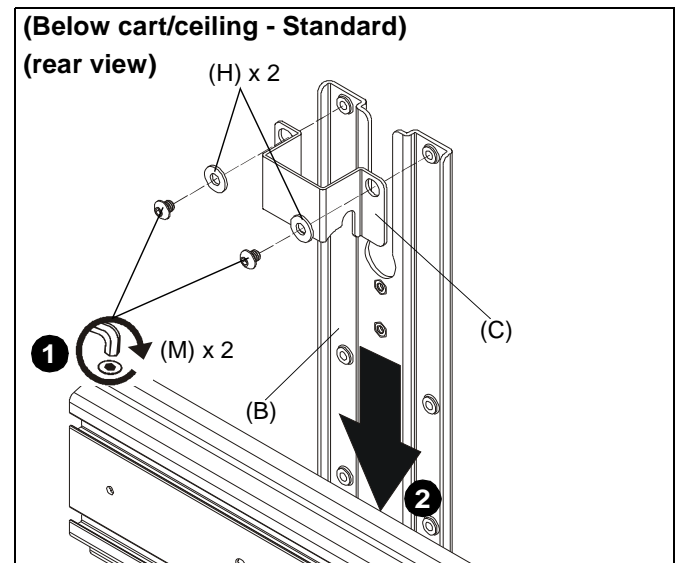


Figure 7

- Slide second shelf bracket (C) underneath head assembly, lining up holes on shelf bracket (C) to holes on main bracket (B). (See Figure 8)
- Use two 1/4-20 x 1/4" button head cap screws (M) and two large washers (H) to secure shelf bracket (C) to main bracket (B). (See Figure 8)

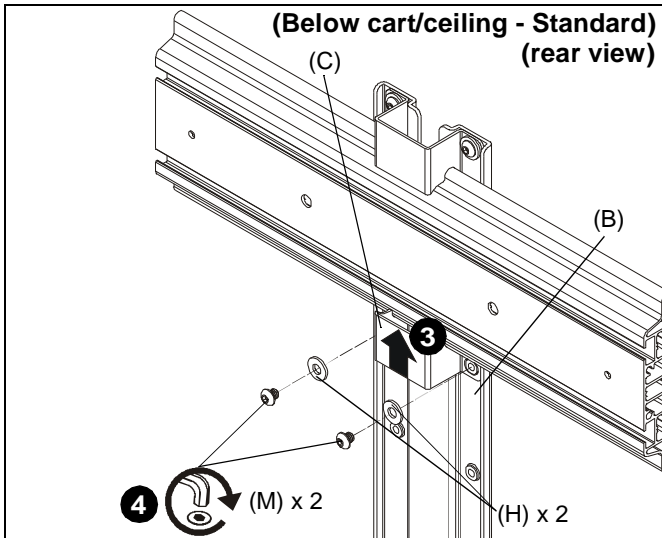


Figure 8

- Slide two 3/5" spacers (K) in between shelf bracket (C) and main bracket (B). (See Figure 10)
- Use two 1/4-20 x 7/16" button head cap screws (R) and two large washers (H) to secure shelf bracket (C) to main bracket (B). (See Figure 10)

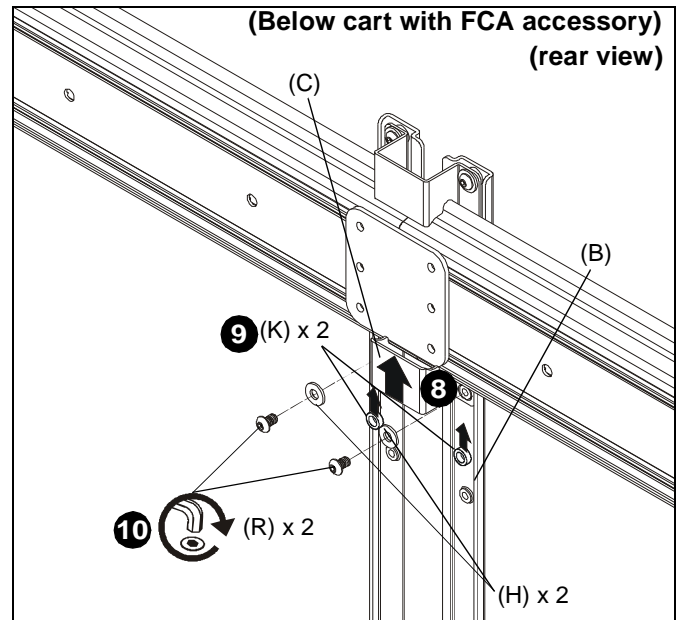


Figure 10

- Proceed to Step 11.

Installing to FCA623 Accessory

IMPORTANT ! : Steps 6-10 only apply if installing to FCA623 accessory.

- Use two 1/4-20 x 7/16" button head cap screws (R), two large washers (H) and two 3/5" spacers (K) to secure shelf bracket (C) to main bracket (B). (See Figure 9)
- Slide main bracket (B) onto front of cart/ceiling mount head assembly until shelf bracket (C) rests on top of head assembly. (See Figure 9)

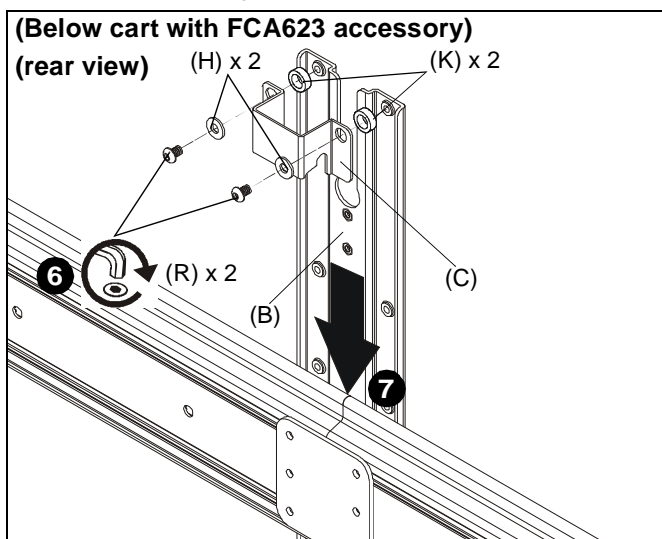


Figure 9

- Slide second shelf bracket (C) underneath head assembly, lining up holes on shelf bracket (C) to holes on main bracket (B). (See Figure 10)

NOTE: Refer to Table 2 and dimension drawings on page 3 to determine the extension level based on extension distance from mount center.

Table 2: Below Cart/Ceiling Mount

Extension distance from center of mount (in.)	
12.4-14.3	Minimum
14.3-16.8	Intermediate
16.8-19.4	Maximum

11. (For **maximum/intermediate extension**) Use two #10-24 lock nuts (G) to secure upright bracket (A) to main bracket (B) and adapter plate (E). (See Figure 11)

NOTE: Maximum configuration is shown below. Several intermediate configurations are possible depending on which holes are used.

12. (For **maximum/intermediate extension**) Use 1/4-20 x 5/8" hex head flange bolt (N) and center washer (F) to secure upright bracket (A) to main bracket (B). (See Figure 11)

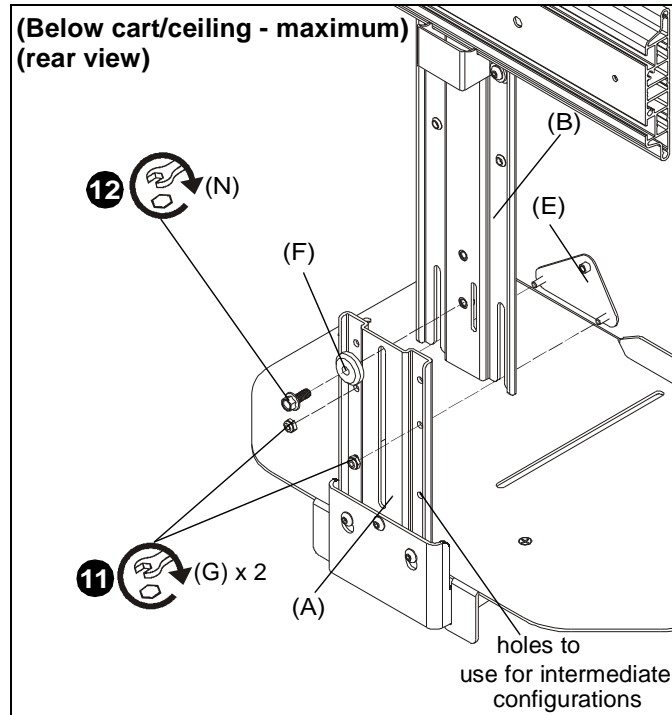


Figure 11

13. (For **minimum extension**) Slide upright bracket behind main bracket. (See Figure 12)

14. (For **minimum extension**) Use 1/4-20 x 5/8" hex head flange bolt (N) and center washer (F) to secure upright bracket (A) to main bracket (B). (See Figure 12)

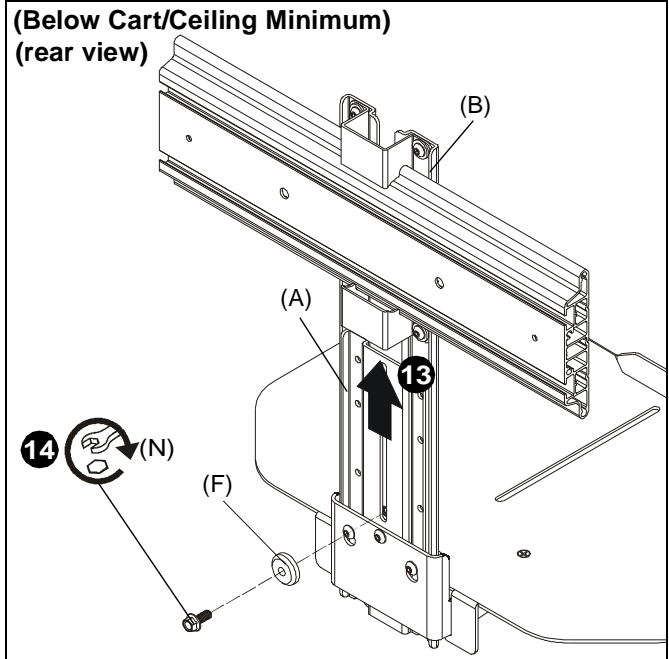


Figure 12

Height Adjustment

1. Loosen hardware used to attach main bracket (B) to upright bracket (A). (See Figure 13)
2. Adjust shelf height as desired. (See Figure 13)
3. Tighten hardware used to attached main bracket (B) to upright bracket (A). (See Figure 13)

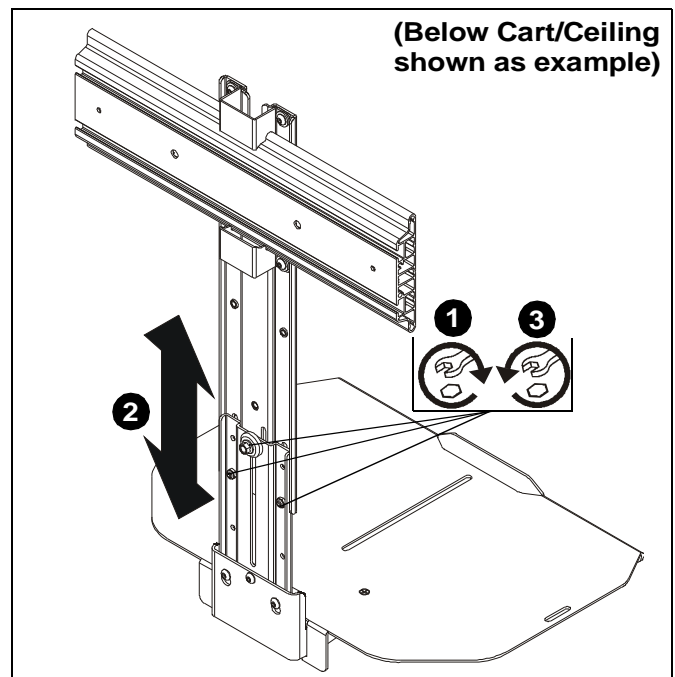


Figure 13

Installing Components (not included)



WARNING: Exceeding the weight capacity can result in serious personal injury or damage to equipment! It is the installer's responsibility to make sure the combined weight mounted on the FCA802 does not exceed 20 lbs (9 kg).



WARNING: Components must be secured to FCA802 shelf using either adhesive hook and loop squares (T) or screw (Q)! Failure to securely components to shelf may result in serious personal injury or damage to equipment!

NOTE: OPTIONAL: Slots are provided in shelf for strap (not included) to hold components in place. (See Figure 14)

Using Adhesive Squares

1. Use up to eight adhesive hook and loop squares (T) to secure component to shelf. Attach adhesive squares to bottom of component first and then attach corresponding squares to shelf when the exact mounting location has been determined.

Using Screw

2. (Single Screw option) Install 1/4-20 x 3/8" Phillips pan machine screw (Q) through mounting slot on shelf and into hole on bottom of component (if applicable). (See Figure 14)

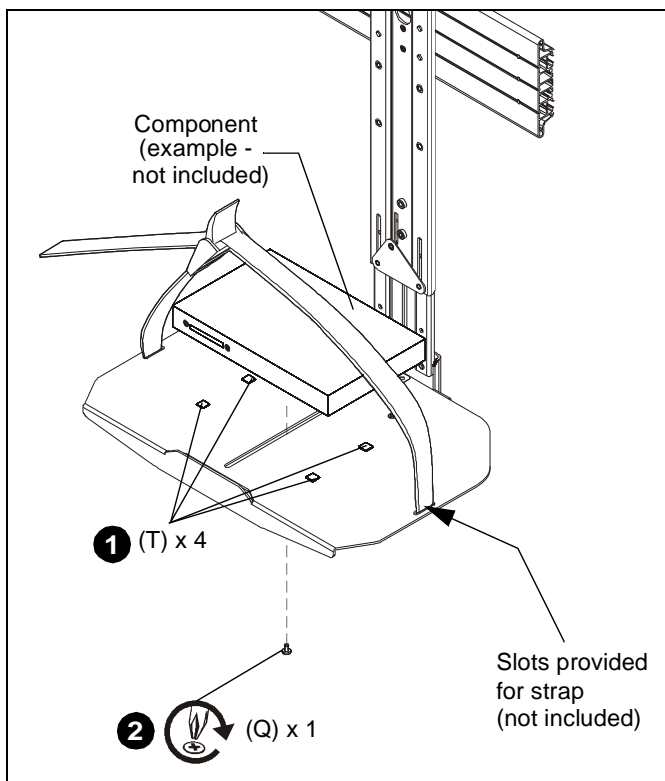


Figure 14



Our Mounts. **Your Vision.**

Chief, a products division of
Milestone AV Technologies

8800-002725 Rev01
©2015 Milestone AV Technologies
www.chiefmfg.com
04/15

USA/International	A 6436 City West Parkway, Eden Prairie, MN 55344 P 800.582.6480 / 952.225.6000 F 877.894.6918 / 952.894.6918
Europe	A Franklinstraat 14, 6003 DK Weert, Netherlands P +31 (0) 495 580 852 F +31 (0) 495 580 845
Asia Pacific	A Office No. 918 on 9/F, Shatin Galleria 18-24 Shan Mei Street Fotan, Shatin, Hong Kong P 852 2145 4099 F 852 2145 4477

