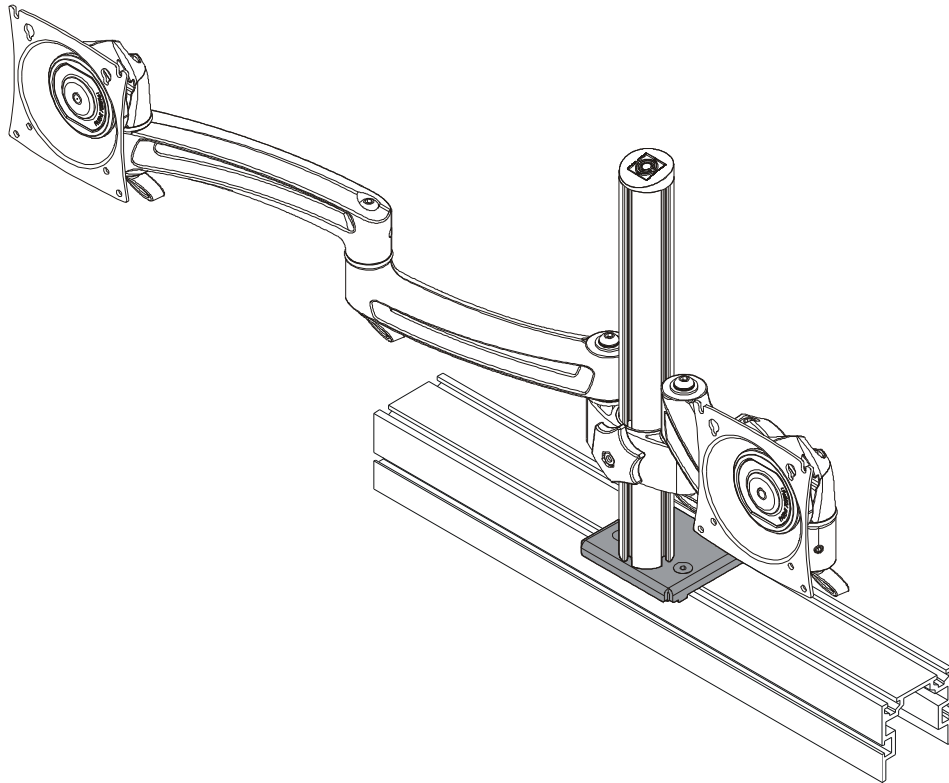


INSTALLATION INSTRUCTIONS




Office Furniture Bracket


DISCLAIMER


Milestone AV Technologies and its affiliated corporations and subsidiaries (collectively "Milestone"), intend to make this manual accurate and complete. However, Milestone makes no claim that the information contained herein covers all details, conditions or variations, nor does it provide for every possible contingency in connection with the installation or use of this product. The information contained in this document is subject to change without notice or obligation of any kind. Milestone makes no representation of warranty, expressed or implied, regarding the information contained herein. Milestone assumes no responsibility for accuracy, completeness or sufficiency of the information contained in this document.


Chief® is a registered trademark of Milestone AV Technologies. All rights reserved.


IMPORTANT SAFETY INSTRUCTIONS!


 **WARNING:** A WARNING alerts you to the possibility of serious injury or death if you do not follow the instructions.


 **CAUTION:** A CAUTION alerts you to the possibility of damage or destruction of equipment if you do not follow the corresponding instructions.


 **WARNING:** Failure to read, thoroughly understand, and follow all instructions can result in serious personal injury, damage to equipment, or voiding of factory warranty! It is the installer's responsibility to make sure all components are properly assembled and installed using the instructions provided.

 **WARNING:** Failure to provide adequate structural strength for this component can result in serious personal injury or damage to equipment! It is the installer's responsibility to make sure the structure to which this component is attached can support five times the combined weight of all equipment. Reinforce the structure as required before installing the component.

 **WARNING:** Exceeding the weight capacity can result in serious personal injury or damage to equipment! It is the installer's responsibility to make sure the combined weight of all components attached to the OFB215 up to (and including) the display does not exceed 25 lbs (11.34 kg) per arm. Do not exceed the weight limitations of the mount being installed to the bracket or of the office furniture being used to mount the accessory. Use with products heavier than the maximum weight indicated may result in collapse of the mount and its accessories causing possible injury.

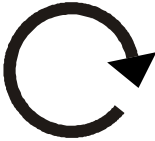

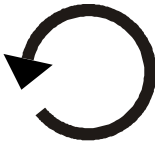









 **WARNING:** Use this mounting system only for its intended use as described in these instructions. Do not use attachments not recommended by the manufacturer.

 **WARNING:** Never operate this mounting system if it is damaged. Return the mounting system to a service center for examination and repair.

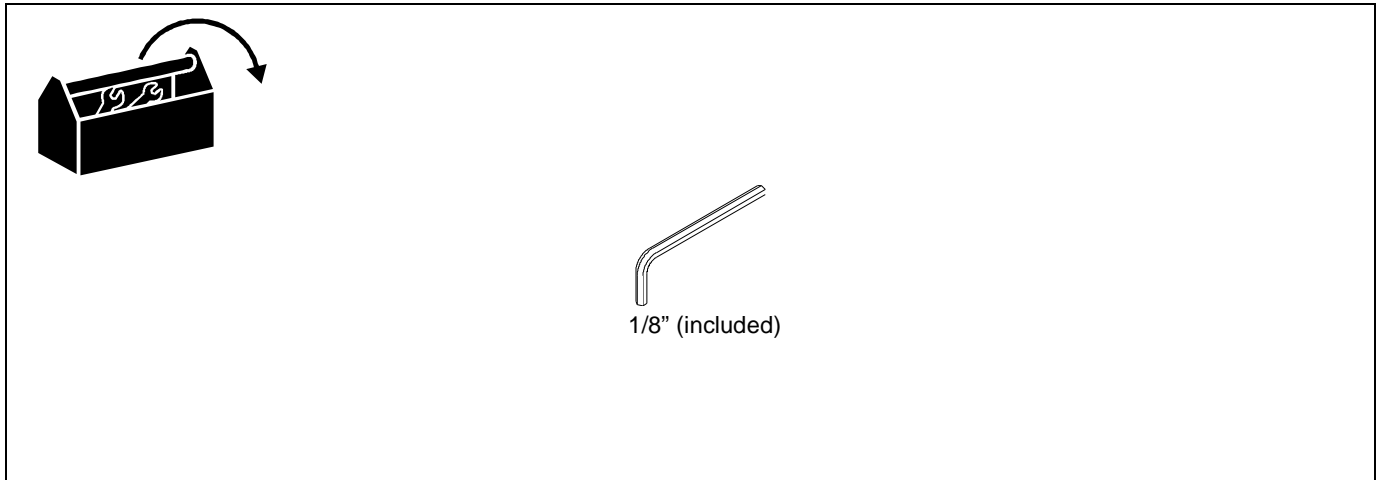
 **WARNING:** Do not use this product outdoors.

--SAVE THESE INSTRUCTIONS!--

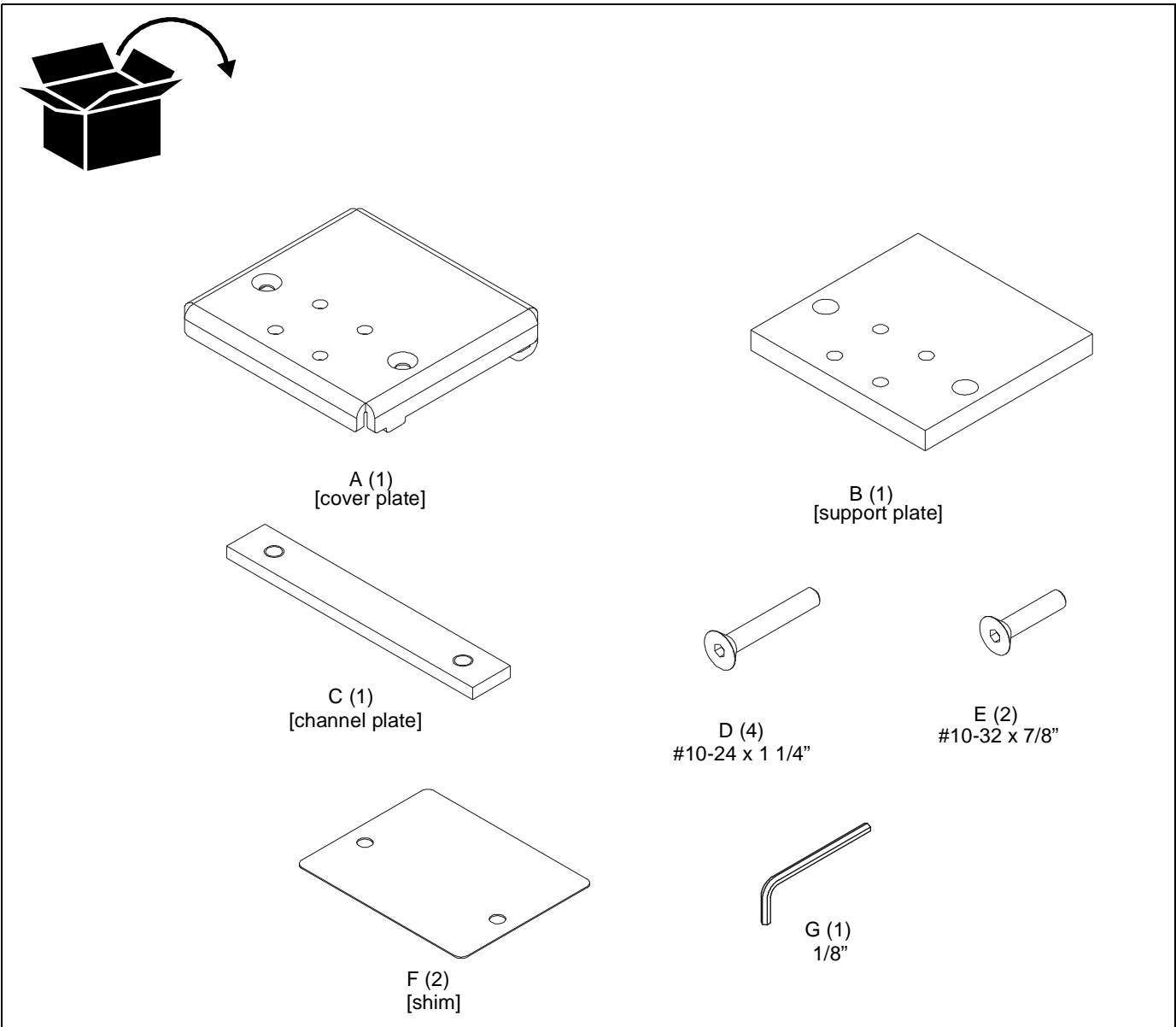
LEGEND

	<p>Tighten Fastener</p> <p>Apretar elemento de fijación</p> <p>Befestigungsteil festziehen</p> <p>Apertar fixador</p> <p>Serrare il fissaggio</p> <p>Bevestiging vastdraaien</p> <p>Serrez les fixations</p>		<p>Pencil Mark</p> <p>Marcar con lápiz</p> <p>Stiftmarkierung</p> <p>Marcar com lápis</p> <p>Segno a matita</p> <p>Potloodmerkteken</p> <p>Marquage au crayon</p>
	<p>Loosen Fastener</p> <p>Aflojar elemento de fijación</p> <p>Befestigungsteil lösen</p> <p>Desapertar fixador</p> <p>Allentare il fissaggio</p> <p>Bevestiging losdraaien</p> <p>Desserrez les fixations</p>		<p>Drill Hole</p> <p>Perforar</p> <p>Bohrloch</p> <p>Fazer furo</p> <p>Praticare un foro</p> <p>Gat boren</p> <p>Percez un trou</p>
	<p>Phillips Screwdriver</p> <p>Destornillador Phillips</p> <p>Kreuzschlitzschraubendreher</p> <p>Chave de fendas Phillips</p> <p>Cacciavite a stella</p> <p>Kruiskopschroevendraaier</p> <p>Tournevis à pointe cruciforme</p>		<p>Adjust</p> <p>Ajustar</p> <p>Einstellen</p> <p>Ajustar</p> <p>Regolare</p> <p>Afstellen</p> <p>Ajuster</p>
	<p>Open-Ended Wrench</p> <p>Llave de boca</p> <p>Gabelschlüssel</p> <p>Chave de bocas</p> <p>Chiave a punte aperte</p> <p>Steeksleutel</p> <p>Clé à fourche</p>		<p>Remove</p> <p>Quitar</p> <p>Entfernen</p> <p>Remover</p> <p>Rimuovere</p> <p>Verwijderen</p> <p>Retirez</p>
	<p>By Hand</p> <p>A mano</p> <p>Von Hand</p> <p>Com a mão</p> <p>A mano</p> <p>Met de hand</p> <p>À la main</p>		<p>Optional</p> <p>Opcional</p> <p>Optional</p> <p>Opcional</p> <p>Opzionale</p> <p>Optie</p> <p>En option</p>
	<p>Hex-Head Wrench</p> <p>Llave de cabeza hexagonal</p> <p>Sechskantschlüssel</p> <p>Chave de cabeça sextavada</p> <p>Chiave esagonale</p> <p>Zeskantsleutel</p> <p>Clé à tête hexagonale</p>		<p>Security Wrench</p> <p>Llave de seguridad</p> <p>Sicherheitsschlüssel</p> <p>Chave de segurança</p> <p>Chiave di sicurezza</p> <p>Veiligheidssleutel</p> <p>Clé de sécurité</p>

TOOLS REQUIRED FOR INSTALLATION



PARTS



Assembly And Installation

Connecting to K1C/K2C Series Mount

IMPORTANT ! : The OFB215 is designed to mount K1C or K2C Series mounts to Steelcase FrameOne™ office furniture rails. Do NOT attempt to attach any other mounts to this bracket!

1. Remove desk clamp from K1C/K2C mount by removing four flat head cap screws holding clamp to column. Discard four screws. (See Figure 1)

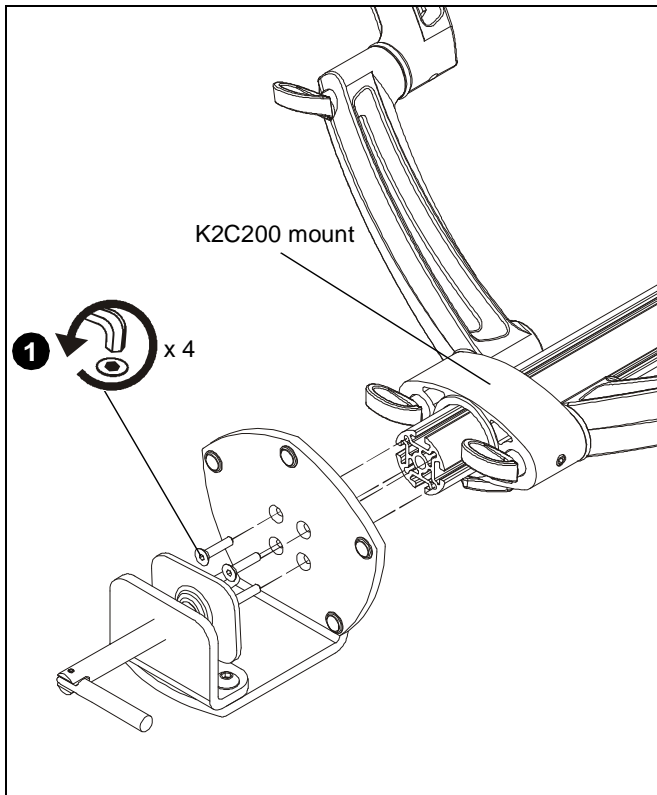


Figure 1

2. Use four #10-24 x 1 1/4" flat head cap screws (D) to secure support plate (B) and cover plate (A) to K1C/K2C column. (See Figure 2)

NOTE: If space will be limited behind mount, attach K1C200/ K2C200 mounts so that height adjustment knob is in the front. (See Figure 2)

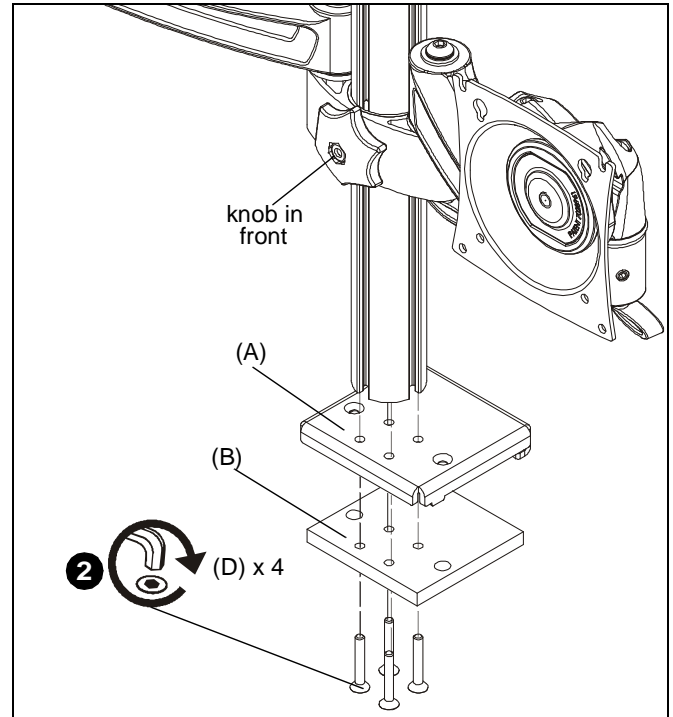


Figure 2

Assembly to Office Furniture Rail

IMPORTANT ! : The OFB215 is designed to be installed to Steelcase FrameOne™ office furniture rails. Do NOT attempt to install this bracket to any other type of office furniture rails!

NOTE: If mounting holes on displays are recessed, it may be necessary to install displays prior to installing assembly. Proceed to Display Installation Section in K1C/K2C installation instructions prior to installing assembly to rail.

1. Drop channel plate (C) at an angle into front groove of FrameOne™ rail. (See Figure 3)
2. Make sure channel plate (C) lays flat in rail and slide plate until it is at desired mounting position. (See Figure 3)

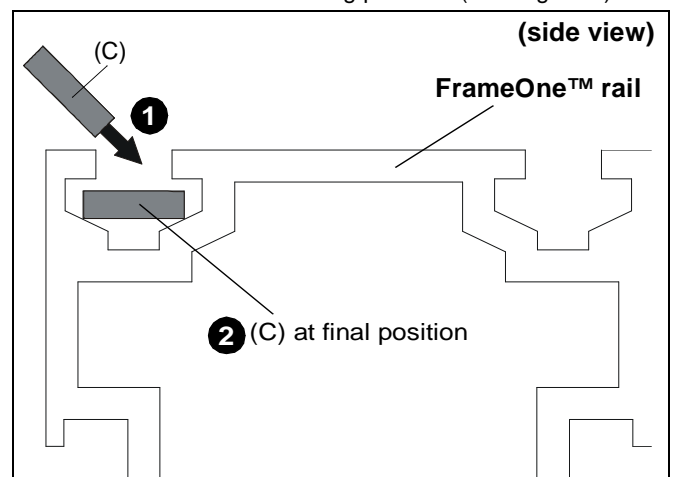


Figure 3

3. Hook back of cover plate (A) into back groove of FrameOne™ rail. (See Figure 4)
4. Place dual pole mount assembly onto FrameOne™ rail making sure holes on attachment plate line up with holes on channel plate (C). (See Figure 4)
5. Use two #10-32 x 7/8" flat head cap screws (E) to secure cover plate (A) to channel plate (C). (See Figure 4)

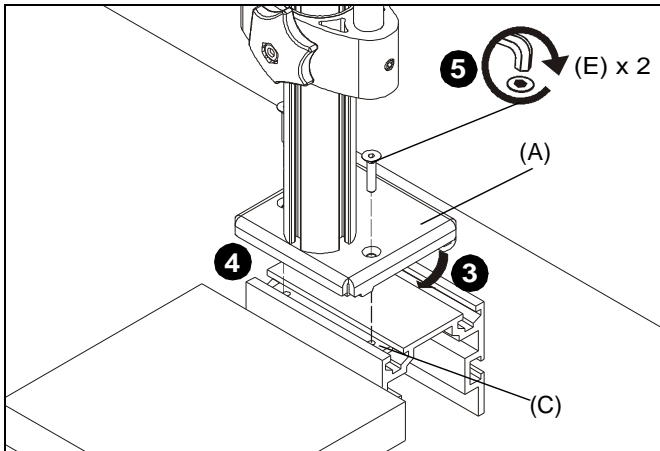


Figure 4

NOTE: If mount leans forward after installation, install one or two shims (F) in between cover plate (A) and rail as shown in the following steps.

Installing Shim Spacers (if required)

IMPORTANT ! : Do NOT install one or both shims (F) unless required as damage to the FrameOne rail may result!

6. Remove two #10-32 x 7/8" flat head cap screws (E) holding cover plate (A) to channel plate (C).
7. Slide one or two shims (F) in between cover plate (A) and rail, lining up holes on shim(s) with holes on plate and rail. (See Figure 5)
8. Use two #10-32 x 7/8" flat head cap screws (E) to reinstall cover plate (A) to channel plate (C). (See Figure 5)

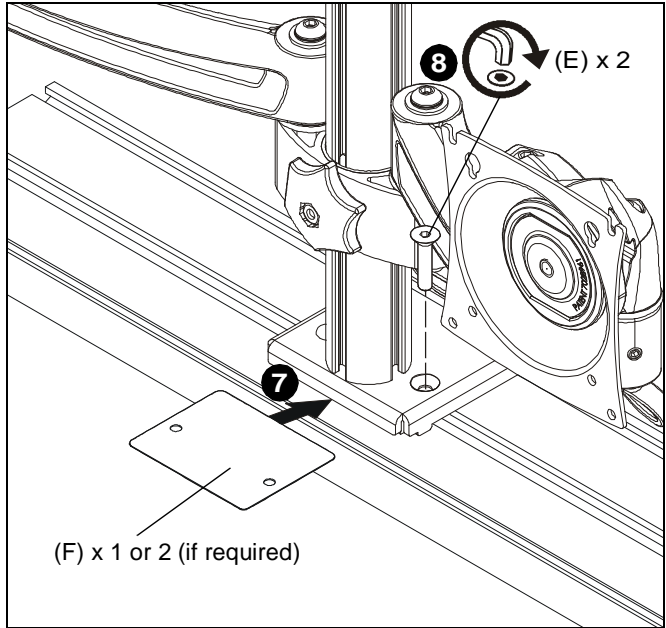


Figure 5

Install displays following K1C/K2C installation instructions.

Lateral Shift Adjustment

1. Loosen two #10-32 x 7/8" flat head cap screws (E). (See Figure 6)
2. Adjust lateral shift position as desired. (See Figure 6)
3. Tighten two #10-32 x 7/8" flat head cap screws (E). (See Figure 6)

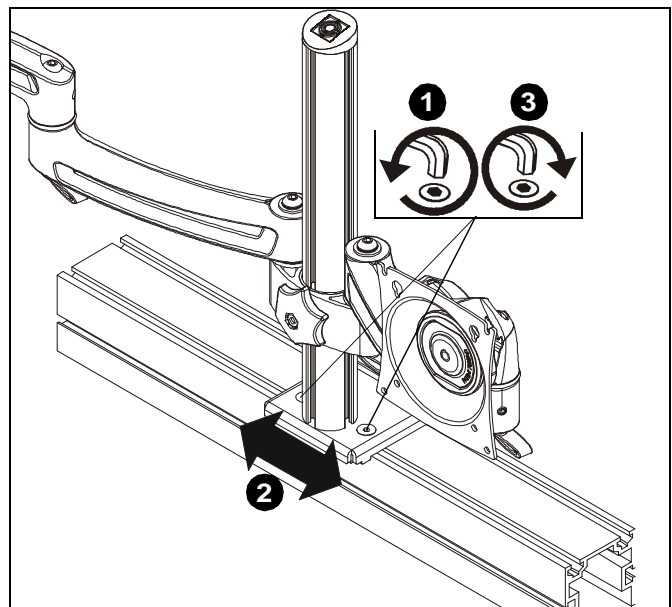


Figure 6



Our Mounts. **Your Vision.**

Chief Manufacturing, a products division
of Milestone AV Technologies

8800-002395 Rev00
©2013 Milestone AV Technologies, a
Duchossois Group Company
www.chiefmfg.com
05/13

USA/International	A 6436 City West Parkway, Eden Prairie, MN 55344 P 800.582.6480 / 952.225.6000 F 877.894.6918 / 952.894.6918
Europe	A Franklinstraat 14, 6003 DK Weert, Netherlands P +31 (0) 495 580 852 F +31 (0) 495 580 845
Asia Pacific	A Office No. 1 on 12/F, Shatin Galleria 18-24 Shan Mei Street Fotan, Shatin, Hong Kong P 852 2145 4099 F 852 2145 4477

