

MOD-PRGSKIT100(B)
 MOD-PRGSKIT150(B)
 MOD-PRGSKIT300(B)



Max load
 50lb (22kg)

Modular Series Precision Gear Projector Mount Ceiling Kit

FOR PROJECTORS UP TO 50LB (22KG)

The Peerless-AV® Modular Mount Series includes a small and easily manageable number of sku's, yet provides a full range of options that can fulfill a vast majority of end-user requirements. Universal components make it quick and easy to design and configure the perfect custom projector mounting solution, ideal for any application. Designed around a 2" (50mm) diameter Extension Pole, the line is ideal for new projects as well as upgrading existing installations. The MOD-PRGSKIT100/150/300 Ceiling Mount Kits include all of the components required to mount a projector from the ceiling. As part of the Peerless-AV Modular Series, it can be expanded with additional Modular accessories (sold separately) to accommodate virtually any custom configuration.

- Kit includes:
 Cathedral Ceiling Plate
 39" (1m), 59" (1.5m) or 118" (3m)
 zinc plated or black Extension Pole
 PRGS Projector Mount
 Universal Spider® Projector
 Mount Adaptor
- Cathedral Ceiling Plate can be angled $\pm 60^\circ$ for use with vaulted or sloping ceilings
- Configurable projector installation with drops of 39" (1m), 59" (1.5m) or 118" (3m) in height
- Universal Spider® Adaptor designed to work with nearly all projectors weighing up to 50lb (22kg)
- Three axes of precision geared adjustment provided by the PRGS Projector Mount enable precise image alignment



Patent Universal Spider® Adaptor



Ceiling Plate Cathedral Accessory, MOD-CPC

RoHS

Model Number

WARRANTY: Limited 5-year

MOD-PRGSKIT100(B)	Modular Series PRGS Projector Mount Ceiling Kit for Projectors up to 50lb (22kg); 39" (1m) height
MOD-PRGSKIT150(B)	Modular Series PRGS Projector Mount Ceiling Kit for Projectors up to 50lb (22kg); 59" (1.5m) height
MOD-PRGSKIT300(B)	Modular Series PRGS Projector Mount Ceiling Kit for Projectors up to 50lb (22kg); 118" (3m) height

Product Specifications

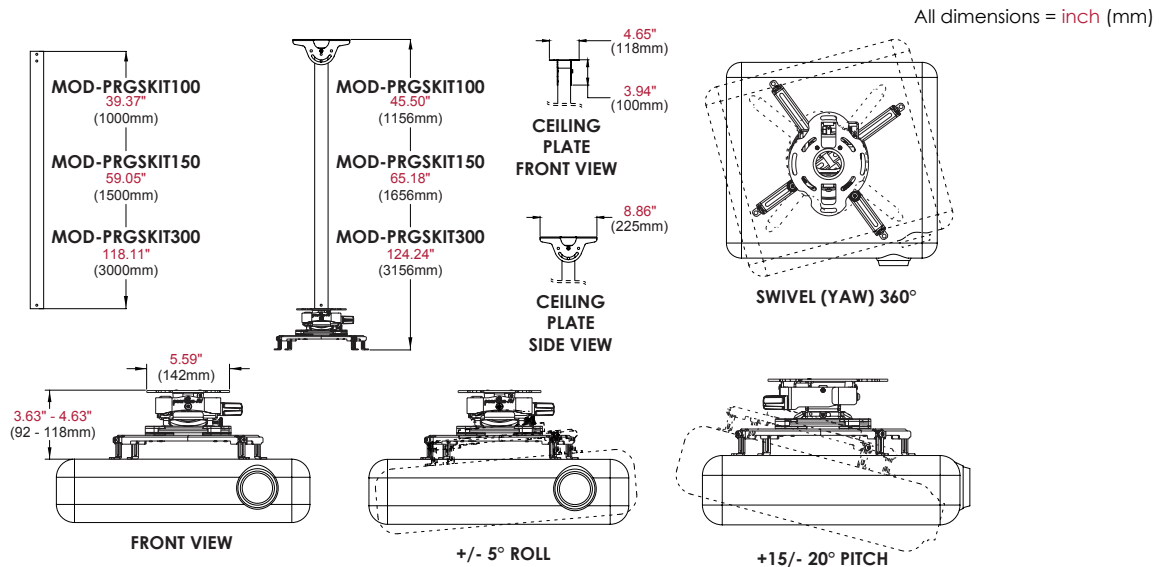
	DIMENSIONS (W X H X D)	PRODUCT WEIGHT	LOAD CAPACITY	FINISH	AVAILABLE COLORS
MOD-PRGSKIT100(B)	8.50"-17.63" x 44.50"-45.50" x 8.50"-17.63" (216-448 x 1130-1156 x 216-448mm)	7.2lb (3.2kg)	50lb (22kg)	Powder Coat	MOD-PRGSKIT100/150/300: Black with zinc plated Extension Pole
MOD-PRGSKIT150(B)	8.50"-17.63" x 64.18"-65.18" x 8.50"-17.63" (216-448 x 1630-1655 x 216-448mm)	9.6lb (4.3kg)			
MOD-PRGSKIT300(B)	8.50"-17.63" x 123.24"-124.24" x 8.50"-17.63" (216-448 x 3130-3155 x 216-448mm)	17.0lb (7.1kg)			

Package Specifications

	PACKAGE SIZE (W x H x D)	PACKAGE SHIP WEIGHT	PACKAGE UPC CODE	PACKAGE CONTENTS	UNITS IN PACKAGE
MOD-PRGSKIT100(B)	BOX1: 10.25" x 10.25" x 8.25" (464 x 4640 x 3.742mm)	BOX1: 4.2lb (1.9kg)	MOD-PRGSKIT100: 735029298854	- MOD-CPC Cathedral Ceiling Plate	1
	BOX2: 41.50" x 2.50" (1054.10 x 63.50mm)	BOX2: 5.0lb (2.2kg)	MOD-PRGSKIT100B: 735029298861	- MOD-P100 1.0m Extension Pole or MOD-P150 1.5m Extension Pole or MOD-P300 3.0m Extension Pole	
MOD-PRGSKIT150(B)	MOD-PRGSKIT150(B): 61.00" x 2.50" (1549.40 x 63.50mm)	MOD-PRGSKIT150(B): 7.4lb (3.3kg)	MOD-PRGSKIT150: 735029298878	- MOD-ATA Projector Mount Adaptor	
MOD-PRGSKIT300(B)	MOD-PRGSKIT300(B): 120.00" x 2.50" (3048.00 x 63.50mm)	MOD-PRGSKIT300(B): 14.8lb (6.7kg)	MOD-PRGSKIT300: 735029298892	- PRGS-UNV PRGS Projector Mount	
			MOD-PRGSKIT300B: 735029298915		

Accessories

MOD-CPI: I-Beam Ceiling Plate, Flat	MOD-P100(-B): 50mm Extension Pole - 39" (1.0m)	MOD-ATD-W: Accessory Trim Disc
MOD-AUB: Accessory U-Bolt Adaptor	MOD-P150(-B): 50mm Extension Pole - 59" (1.5m)	MOD-APC: Accessory Pole Coupler
MOD-CPC(-W): Ceiling Plate, Cathedral	MOD-P200(-B): 50mm Extension Pole - 78" (2.0m)	MOD-ADF: Accessory Drill Fixture for 50mm Pole
MOD-CPF: Square Ceiling Plate, Flat (7.4" x 6.8")	MOD-P300(-B): 50mm Extension Pole - 118" (3.0m)	MOD-ATA: PRGS Projector Mount Adaptor
MOD-ACF(-W): Accessory Cover for MOD-CPF Ceiling Plate		



Architect Specifications

The Modular Series PRGS Projector Mount Ceiling Kit shall be a Peerless-AV model MOD-PRGSKIT100(B)/150(B)/300(B) and shall be located where indicated on the plans. Assembly and installation shall be done according to instructions provided by the manufacturer.

Visit peerless-av.com to see the complete line of AV solutions from Peerless-AV, including outdoor displays, wireless, kiosks, digital audio, display mounts, projector mounts, carts/stands, and a full assortment of accessories.

Peerless-AV
2300 White Oak Circle
Aurora, IL 60502 USA
(800) 865-2112
(630) 375-5100
Fax: (800) 359-6500

Peerless-AV EMEA
Unit 3 Watford Interchange
Colonial Way, Watford
Herts, WD24 4WP
United Kingdom
+44 (0) 1923 200100
Fax: +44 (0) 1923 200101

Peerless-AV Latin America
Ave de las Industrias 413
Parque Industrial Escobedo
Escobedo, N.L.,
Mexico 66062
+52 (81) 8384-8300
Fax: +52 (81) 8384-8360

peerless-AV[®]
Driving Technology Through Innovation