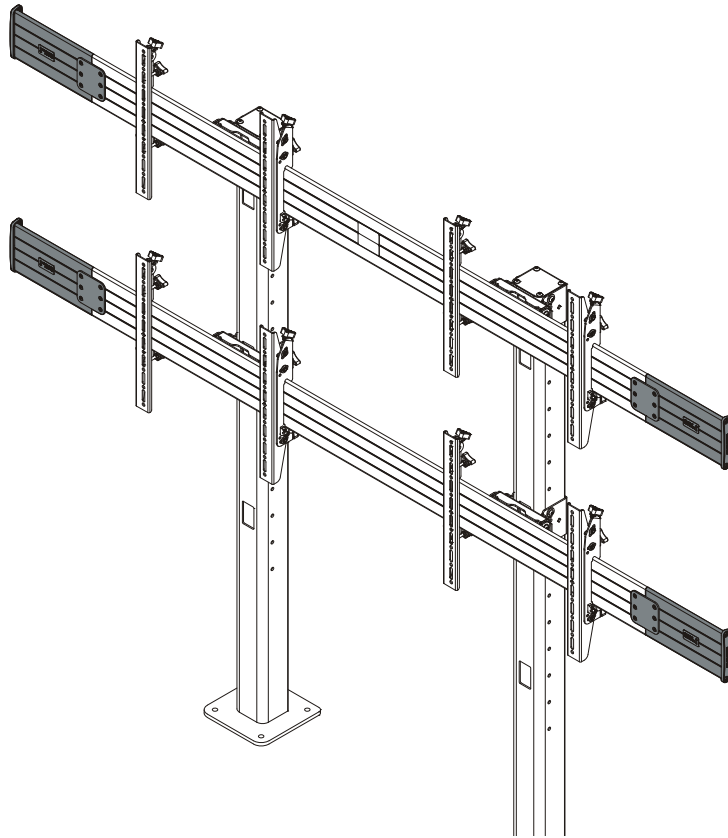


INSTALLATION INSTRUCTIONS





Video Wall Extenders


DISCLAIMER


Legrand | AV and its affiliated corporations and subsidiaries (collectively “Legrand | AV”), intend to make this manual accurate and complete. However, Legrand | AV makes no claim that the information contained herein covers all details, conditions or variations, nor does it provide for every possible contingency in connection with the installation or use of this product. The information contained in this document is subject to change without notice or obligation of any kind. Legrand | AV makes no representation of warranty, expressed or implied, regarding the information contained herein. Legrand | AV assumes no responsibility for accuracy, completeness or sufficiency of the information contained in this document. Chief® is a registered trademark of Legrand AV Inc.


 **IMPORTANT SAFETY INSTRUCTIONS**


 **WARNING:** A WARNING alerts you to the possibility of serious injury or death if you do not follow the instructions.


 **CAUTION:** A CAUTION alerts you to the possibility of damage or destruction of equipment if you do not follow the corresponding instructions.


 **WARNING:** Failure to read, thoroughly understand, and follow all instructions can result in serious personal injury, damage to equipment, or voiding of factory warranty! It is the installer’s responsibility to make sure all components are properly assembled and installed using the instructions provided.

 **WARNING:** Exceeding the weight capacity can result in serious personal injury or damage to equipment! Adding the FCAX video wall extenders allows for wider screens to be mounted but does not change the weight capacity listed for the mount. Consult (Table 1) for mounting system’s weight capacity details.

 **WARNING:** Use this mounting system only for its intended use as described in these instructions. Do not use attachments not recommended by the manufacturer.

 **WARNING:** Never operate this mounting system if it is damaged. Return the mounting system to a service center for examination and repair.

 **WARNING:** RISK OF SERIOUS INJURY OR DEATH! Use with televisions weighing more than the maximum weight indicated may result in the cart collapsing or overturning onto a person causing serious injury or death!

 **WARNING:** Do not use this product outdoors.

NOTE: The FCAX08, FCAX14 and FCAX20 are intended to be used with:

- LCM Video Wall Series
- LVM Video Wall Carts Series
- LBM Bolt-Down Video Wall Series

Table 1: Weight Capacities

| MODEL | Max Weight Allowed for EACH Display | Max Weight Capacity of Mounting System |
|-------------|-------------------------------------|--|
| LCM2X1U | 125 lbs (56.7 kg) | 250 lbs (113.4 kg) |
| LCM2X1UP | 125 lbs (56.7 kg) | 250 lbs (113.4 kg) |
| LCM2X1UP400 | 125 lbs (56.7 kg) | 250 lbs (113.4 kg) |
| LCM2X2U | 125 lbs (56.7 kg) | 500 lbs (226.8 kg) |
| LCM2X2UP | 125 lbs (56.7 kg) | 500 lbs (226.8 kg) |
| LCM3X1U | 125 lbs (56.7 kg) | 375 lbs (170.1 kg) |
| LCM3X1UP | 125 lbs (56.7 kg) | 375 lbs (170.1 kg) |
| LCM3X2U | 125 lbs (56.7 kg) | 750 lbs (340.2 kg) |
| LCM3X2UP | 125 lbs (56.7 kg) | 750 lbs (340.2 kg) |
| LCM3X3U | 85 lbs (38.6 kg) | 765 lbs (347.0 kg) |
| | | |
| LVM2X2U | 125 lbs (56.7 kg) | 500 lbs (226.8 kg) |
| LVM3X2U | 125 lbs (56.7 kg) | 750 lbs (340.2 kg) |
| LVM3X3U | 100 lbs (45.4 kg) | 900 lbs (408.2 kg) |
| LVM3X1UP | 125 lbs (56.7 kg) | 375 lbs (170.1 kg) |
| LVM2X2UP | 100 lbs (45.4 kg) | 400 lbs (181.4 kg) |
| LVM3X2UP | 100 lbs (45.4 kg) | 600 lbs (272.2 kg) |
| | | |
| LBM2X2U | 125 lbs (56.7 kg) | 500 lbs (226.8 kg) |
| LBM3X2U | 125 lbs (56.7 kg) | 750 lbs (340.2 kg) |
| LBM3X3U | 100 lbs (45.4 kg) | 900 lbs (408.2 kg) |
| LBM3X1UP | 125 lbs (56.7 kg) | 375 lbs (170.1 kg) |
| LBM2X2UP | 100 lbs (45.4 kg) | 400 lbs (181.4 kg) |
| LBM3X2UP | 100 lbs (45.4 kg) | 600 lbs (272.2 kg) |
| | | |
| LCB2X1U | 100 lbs (45.4 kg) | 400 lbs (181.4 kg) |
| LCB2X1UP | 100 lbs (45.4 kg) | 400 lbs (181.4 kg) |
| WMK-073 | 125 lbs (56.7 kg) | 500 lbs (226.8 kg) |

TABLE 1 CONTINUED....

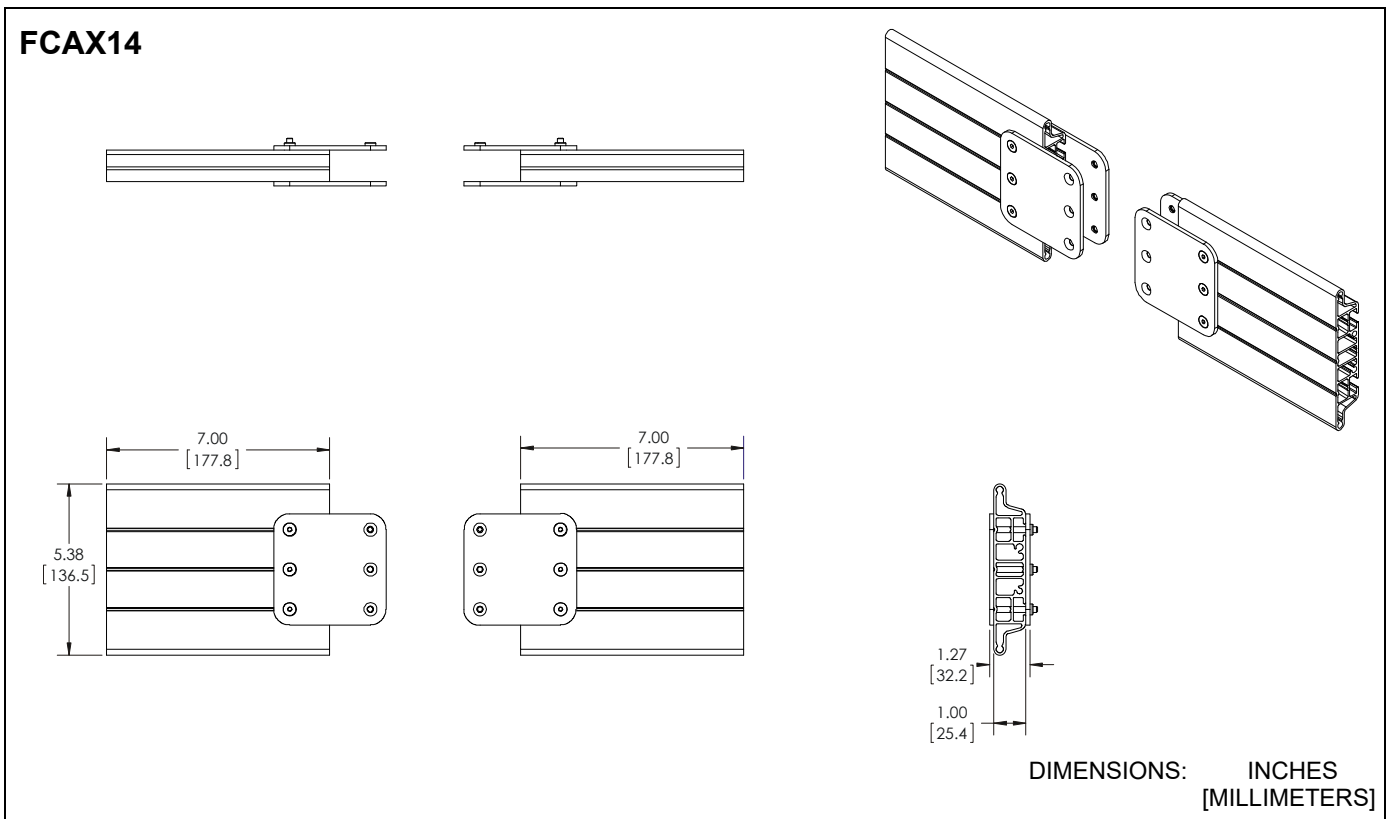
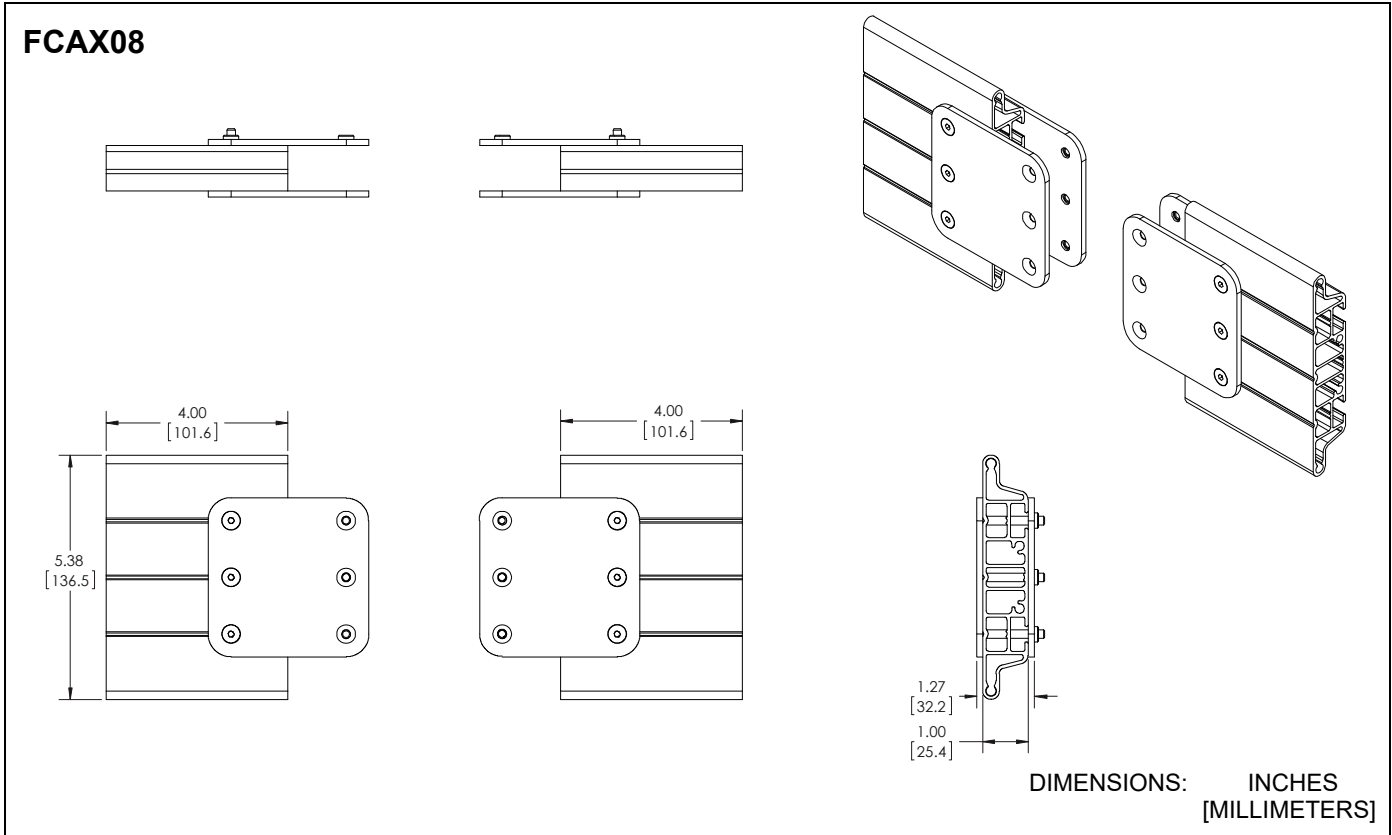
| MODEL | Max Weight Allowed for <u>EACH</u> Display | Max Weight Capacity of Mounting System |
|----------------|---|---|
| WMK-074 | 125 lbs (56.7 kg) | 750 lbs (340.2 kg) |
| WMK-075 | 100 lbs (45.4 kg) | 900 lbs (408.2 kg) |

NOTE: The FCAX08, 14, 20 have no serviceable parts.

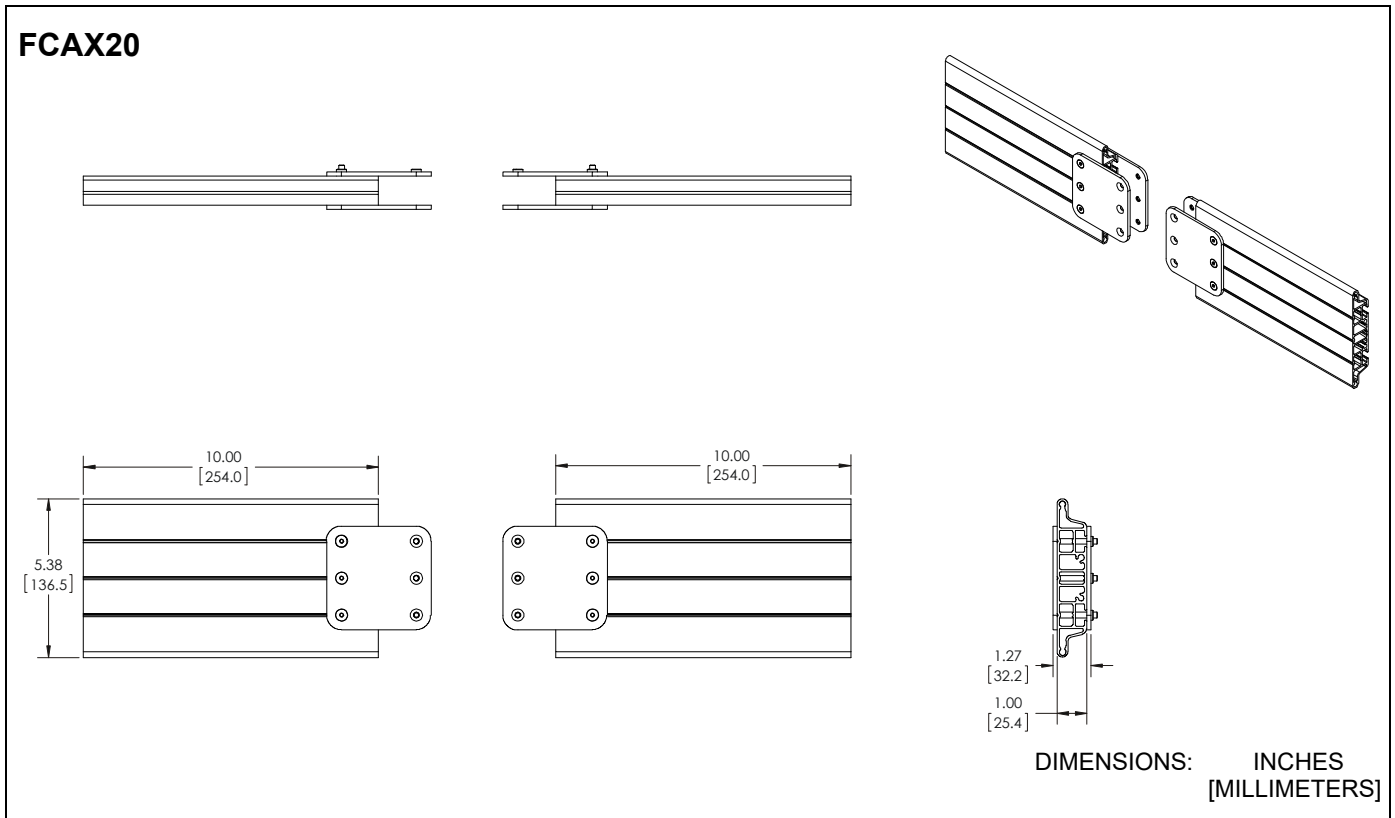
NOTE: The UL Listed FCAX horizontal extension brackets may be used with UL Listed FCA2X1U, FCA3X1U, FCA3X1UP, LCM2X2UP, LCM3X2UP, WMK-073, WMK-074, WMK-075, LCM3X1U, LCM3X1UP, LCB2X1U, LCB2X1UP (not included).

--SAVE THESE INSTRUCTIONS--

DIMENSIONS



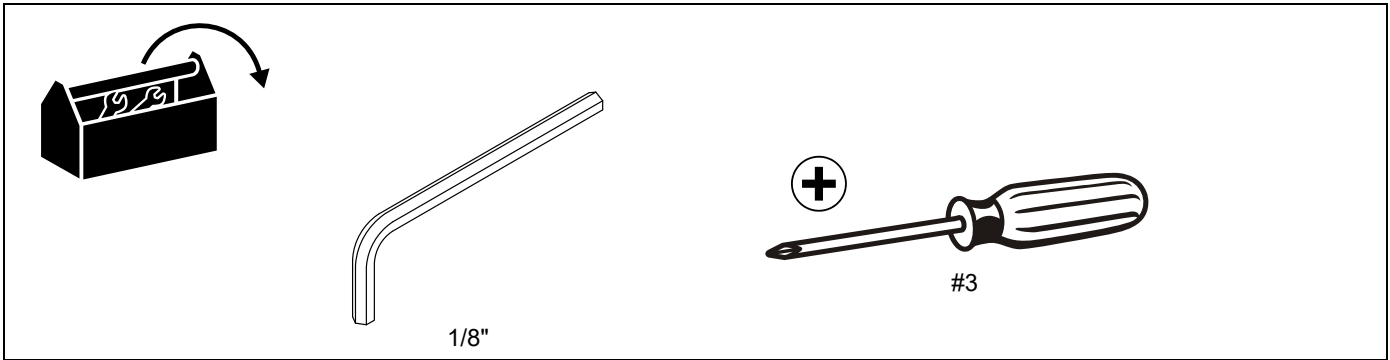
DIMENSIONS (continued)



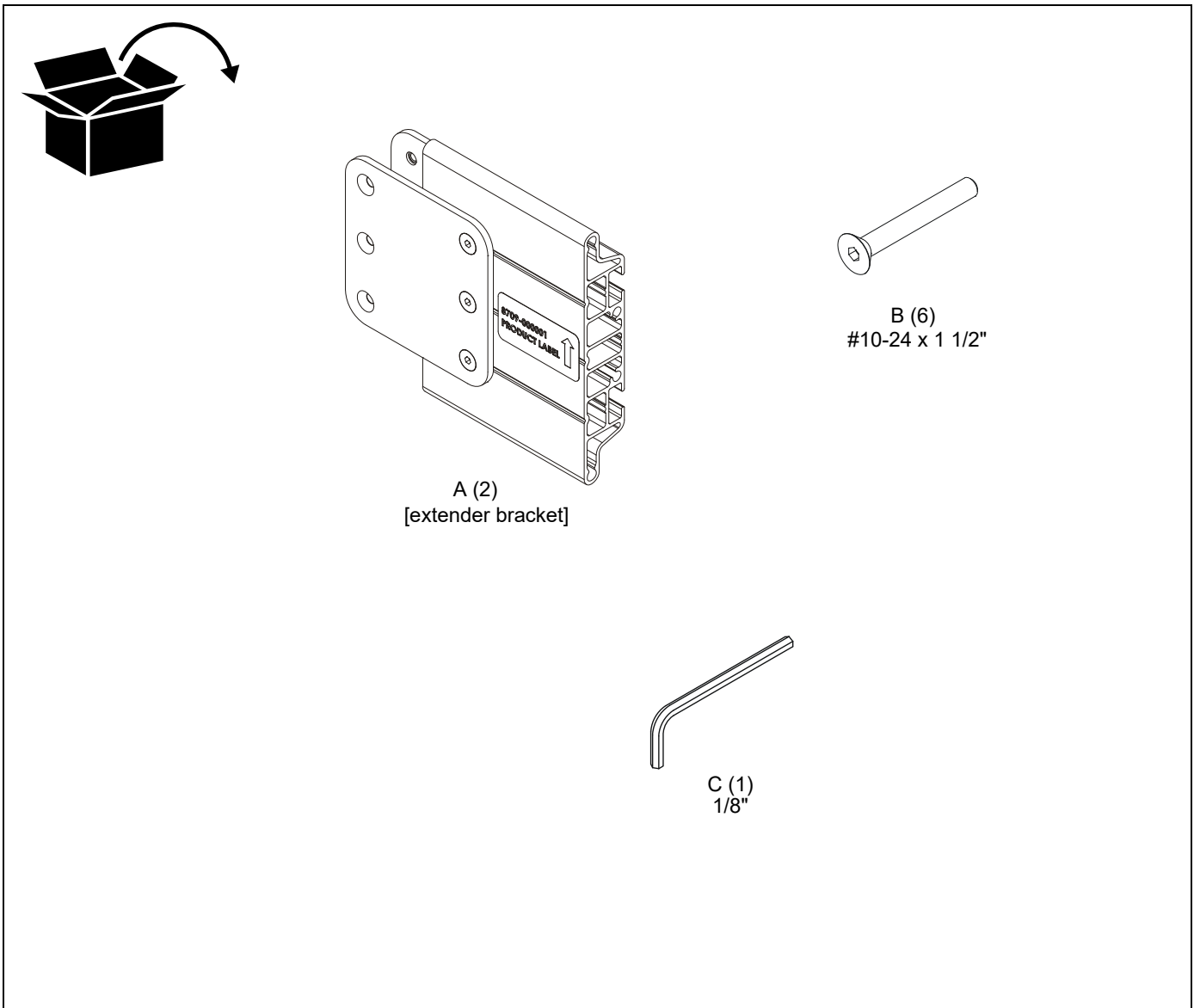
LEGEND

| | | | |
|-------------------------|-------------------------------|-----------------------|-----------------------------|
| | Tighten Fastener | | Phillips Screwdriver |
| | Apretar elemento de fijación | | Destornillador Phillips |
| | Befestigungsteil festziehen | | Kreuzschlitzschraubendreher |
| | Apertar fixador | | Chave de fendas Phillips |
| | Serrare il fissaggio | | Cacciavite a stella |
| | Bevestiging vastdraaien | | Kruiskopschroevendraaier |
| Serrez les fixations | Tournevis à pointe cruciforme | | Hex-Head Wrench |
| | Loosen Fastener | | Llave de cabeza hexagonal |
| | Aflojar elemento de fijación | | Sechskantschlüssel |
| | Befestigungsteil lösen | | Chave de cabeça sextavada |
| | Desapertar fixador | | Chiave esagonale |
| | Allentare il fissaggio | | Zeskantsleutel |
| | Bevestiging losdraaien | Clé à tête hexagonale | |
| Desserrez les fixations | | | |

TOOLS REQUIRED FOR INSTALLATION



PARTS



Assembly And Installation

1. Assemble video wall mount according to installation instructions up to the point of installing displays to rails.
2. Remove ends from rails by removing two screws holding ends to rails. (See Figure 1)
3. Use three #10-24 x 1 1/2" flat head cap screws (B) to attach each extender (A) to rail. (See Figure 2)
4. Reattach ends to rails using two screws removed in Step 2. (See Figure 2)
5. Install displays to rails according to mount's installation instructions.

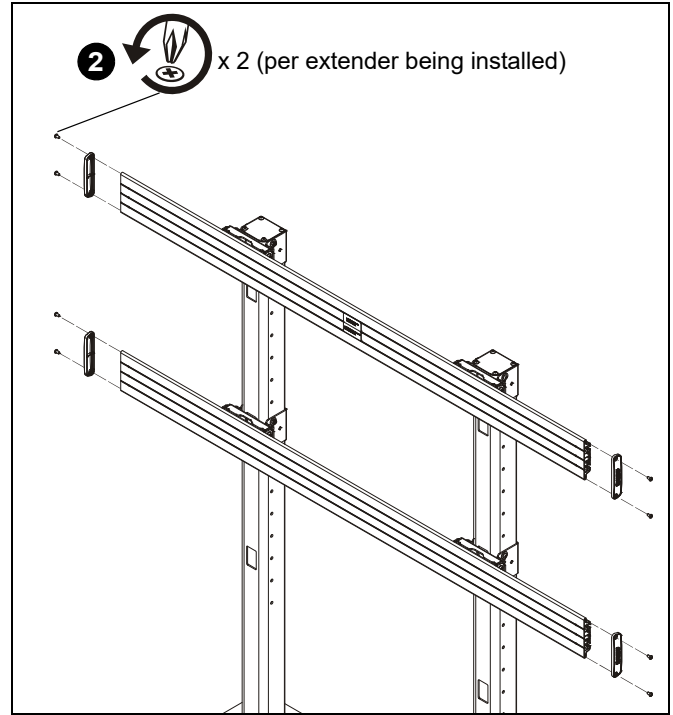


Figure 1

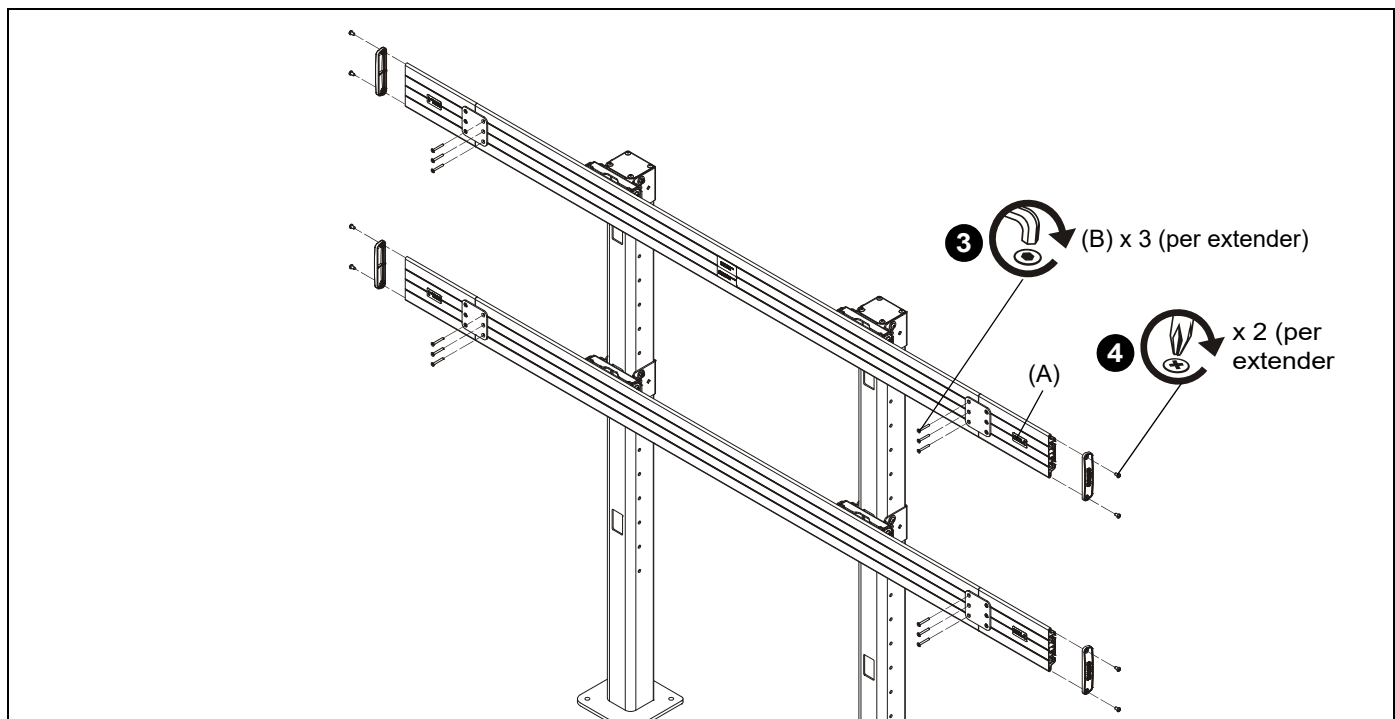


Figure 2

The logo for CHIEF, featuring a stylized 'C' icon to the left of the word 'CHIEF' in a bold, sans-serif font.

A brand of  **legrand**

8800-002392 Rev01
©2021 Legrand | AV
www.legrandav.com
05/2021

| | |
|--------------------------|---|
| USA/International | A 6436 City West Parkway, Eden Prairie, MN 55344 |
| | P 800.582.6480 / 952.225.6000 |
| | F 877.894.6918 / 952.894.6918 |
| Europe | A Franklinstraat 14, 6003 DK Weert, Netherlands |
| | P +31 (0) 495 580 852 |
| | F +31 (0) 495 580 845 |
| Asia Pacific | A Office No. 1 on 12/F, Shatin Galleria 18-24 Shan Mei Street Fotan, Shatin, Hong Kong |
| | P 852 2145 4099 |
| | F 852 2145 4477 |

