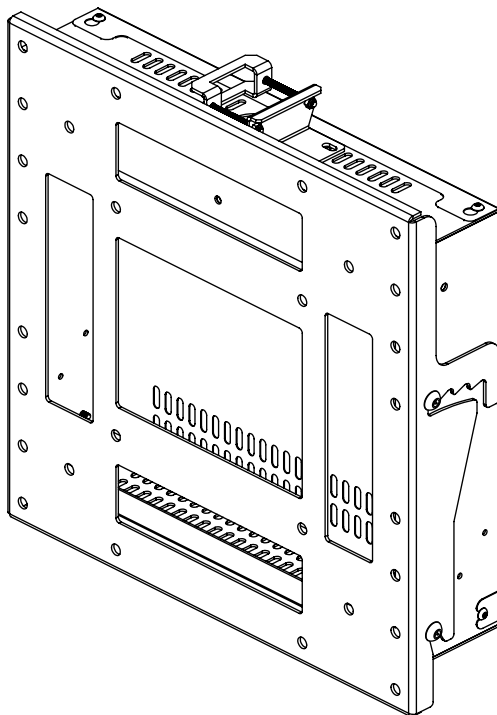
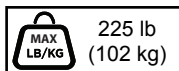


peerless-AV[®]

DST995



COMPATIBILITY		
MOD POLES	COLUMNS	ACCESSORIES
MOD-P100(-B), MOD-P150(-B), MOD-P200(-B), MOD-P300(-B) *MOD COLUMNS REQUIRE MOD-ATA ADAPTER	EXT006 through EXT110, AEC012018 through AEC1012, ALU0090012 through ALU1012, ADD series	ACC-V800X

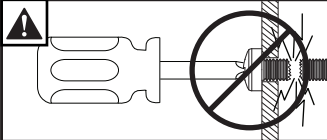


This page intentionally left blank.

⚠ WARNING

Before installing make sure the supporting surface will support the combined load of the equipment and hardware. Screws must be tightly secured. Do not overtighten screws or damage can occur and product may fail. Never exceed the Maximum Load Capacity. Always use an assistant or mechanical lifting equipment to safely lift and position equipment. This product is intended for indoor use only. Use of this product outdoors could lead to product failure or personal injury. Be careful not to pinch fingers when operating the mount. For support please call customer care at 1-800-865-2112.

Symbols



Do not overtighten screws.

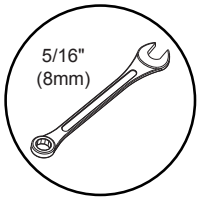


Screws must get at least three full turns and fit snug.

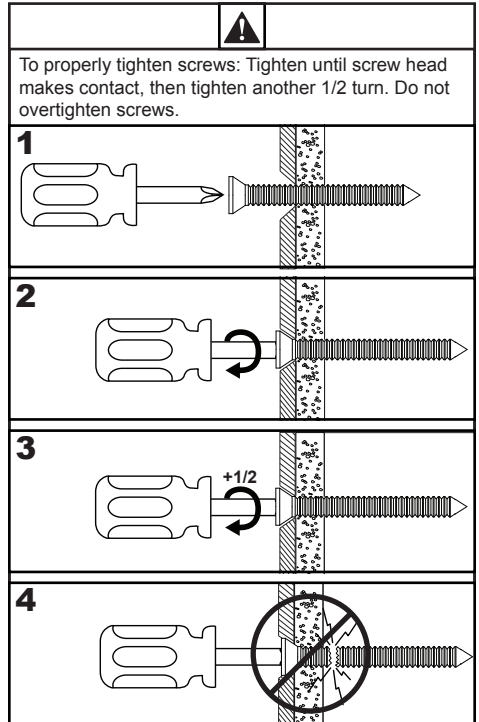
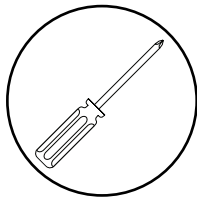


WARNING

Tools Needed for Assembly.

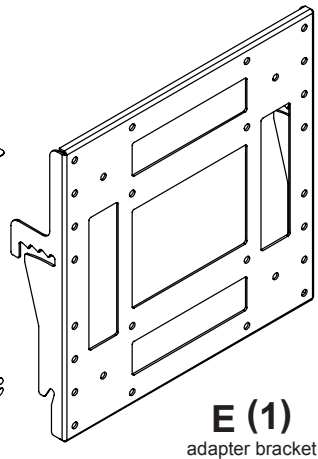
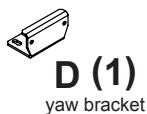
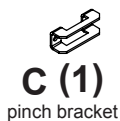
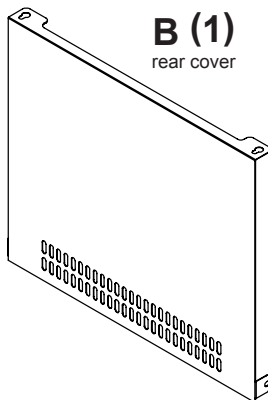
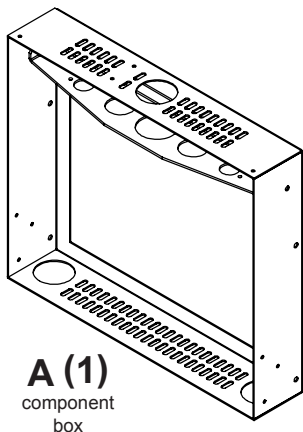


5/16"
(8mm)



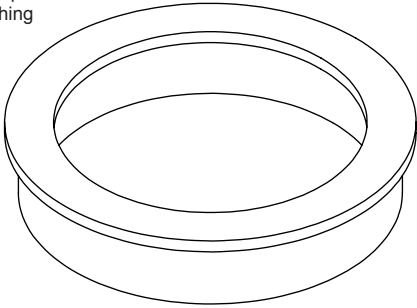
Parts List

Description	Qty	Part #
A component box	1	145-1782
B rear cover	1	145-1534
C pinch bracket	1	130-1073
D yaw bracket	1	130-1500
E adapter bracket	1	145-1780
F snap bushing	2	590-1149
G fiber washer	1	540-9432
H retaining collar	1	1800-375
I 1/4" SAE flat washer	8	540-9440
J M5 x 55mm socket pin screw	2	520-1193
K M5x 10mm socket pin screw	9	520-1164
L M8 x 15mm socket pin screw	8	520-1068
M M6 x 16mm socket pin screw	4	520-1132
N M5 nylock nut	2	530-1019
O 5/32" (4mm) security wrench	1	560-9646



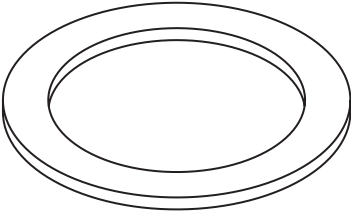
F (2)

snap
bushing



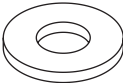
G (1)

fiber washer



I (8)

1/4" washer



J (2)

M5 x 55mm



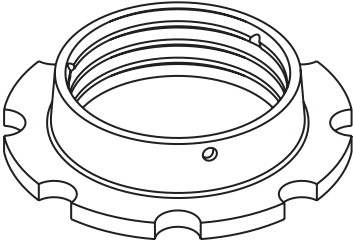
K (9)

M5 x 10mm



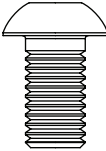
H (1)

retaining
collar



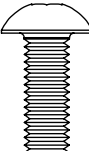
L (8)

M8 x 15mm



M (4)

M6 x 16mm



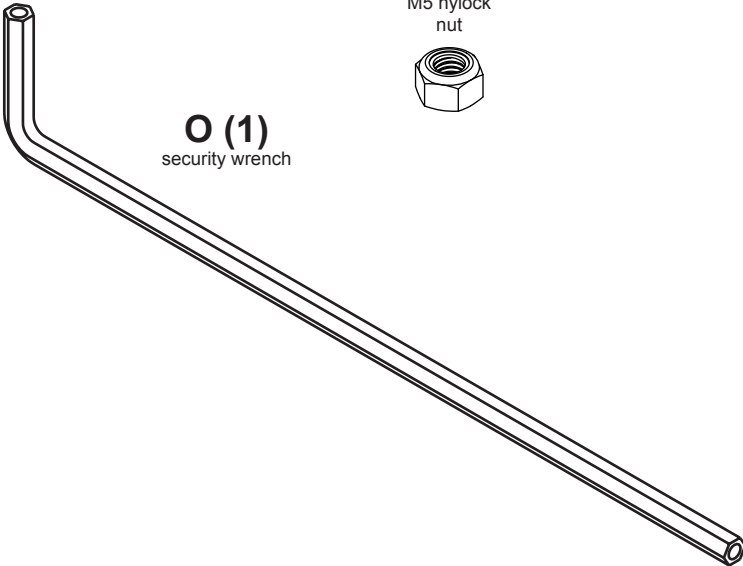
N (2)

M5 nylock
nut



O (1)

security wrench



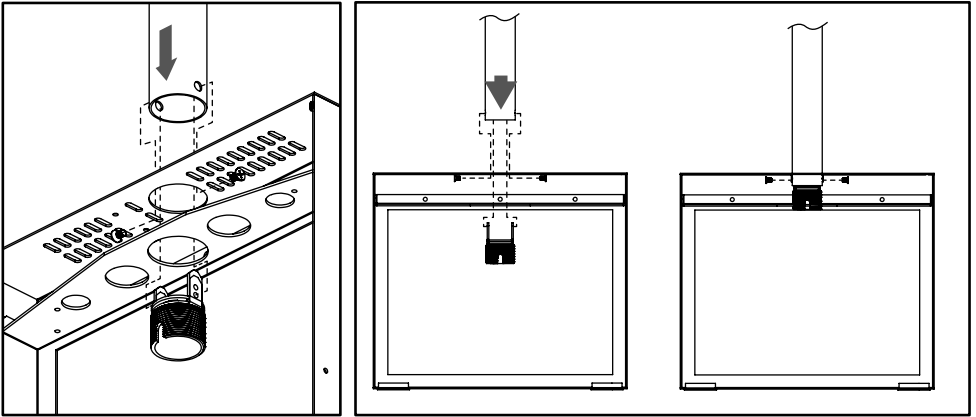
1a

Install EXT, ADD, AEC, or ALU series extension column (sold separately). See accompanying instruction.

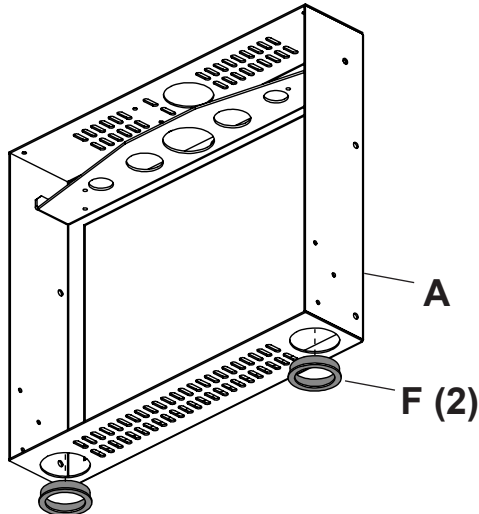


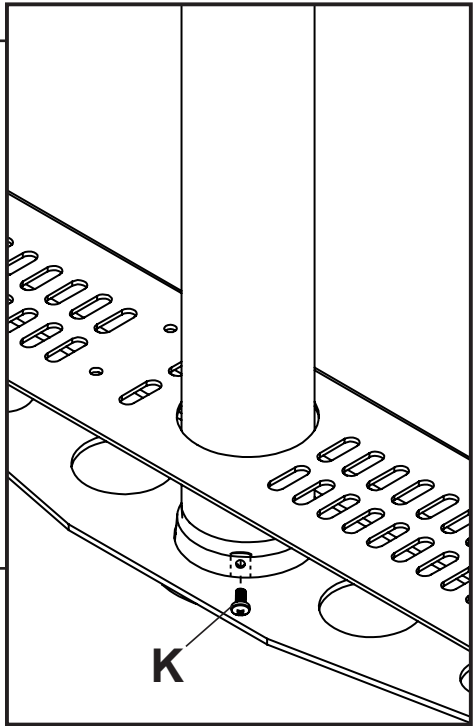
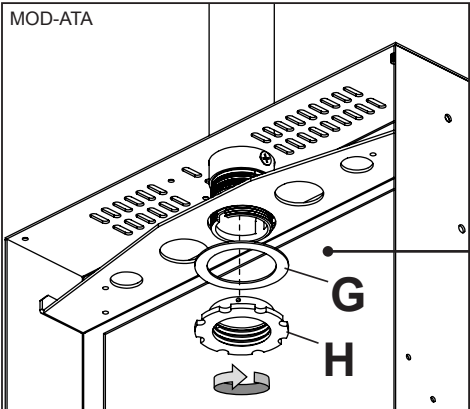
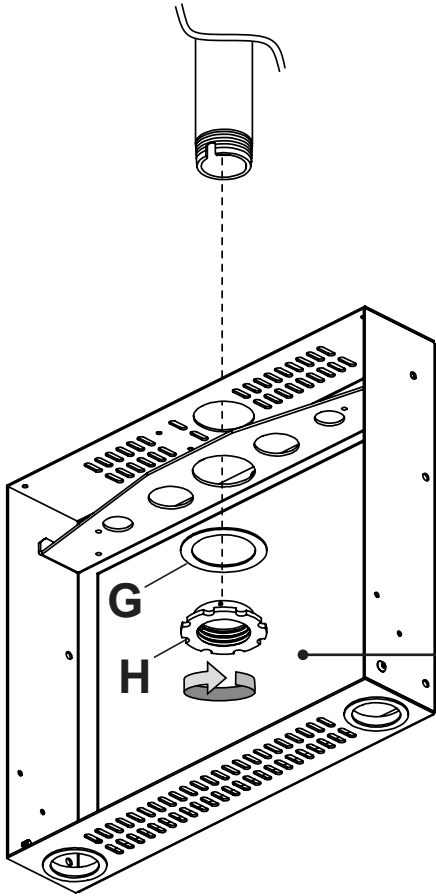
1b

Install MOD-ATA threaded adapter.

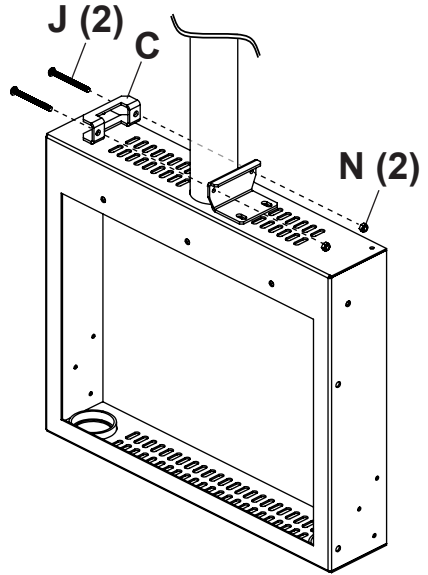
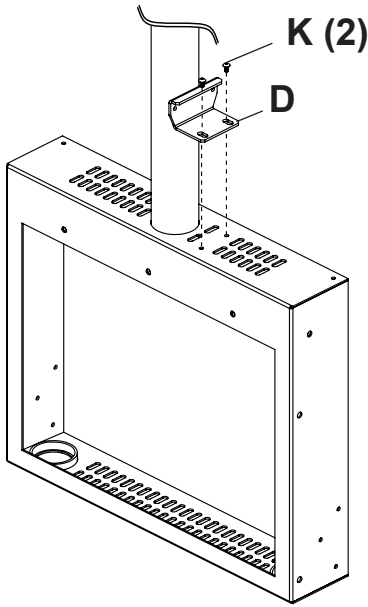


2

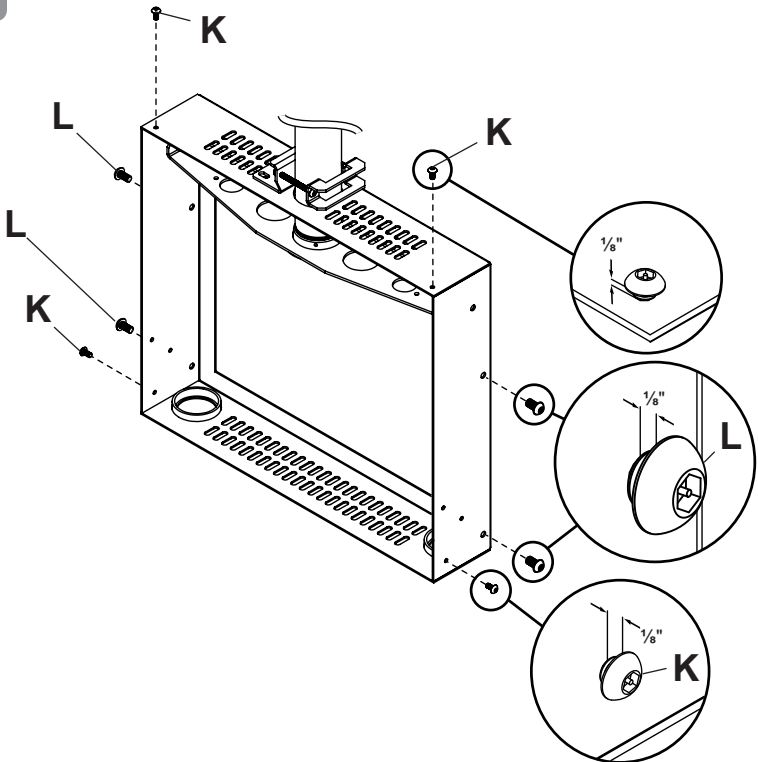


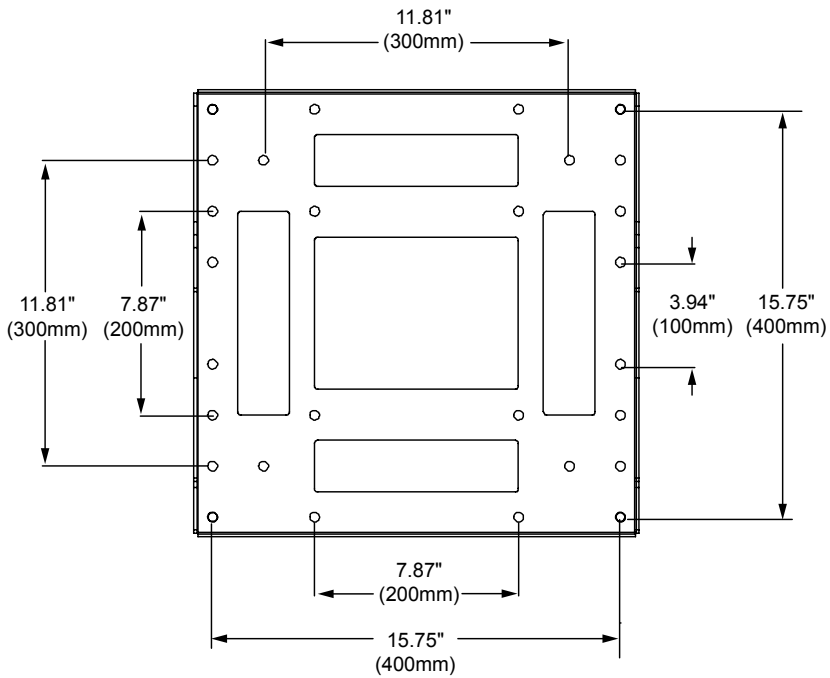


4

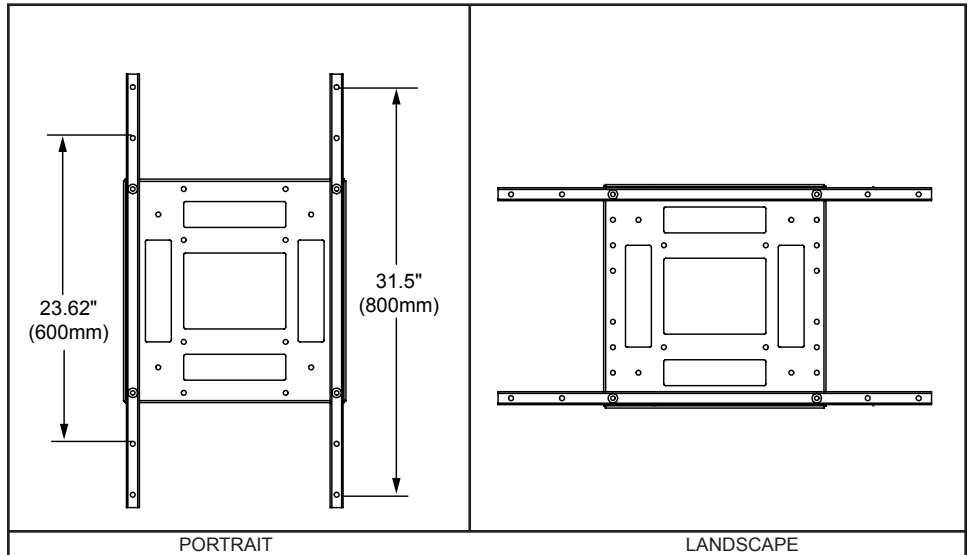


5

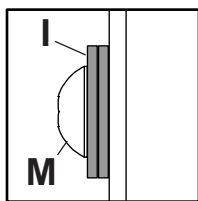




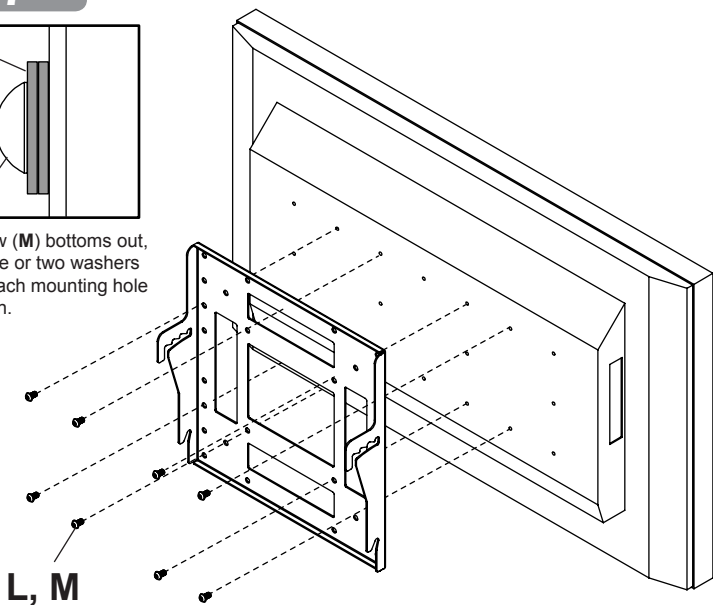
ACC-V800X ACCESSORY SOLD SEPARATELY



7



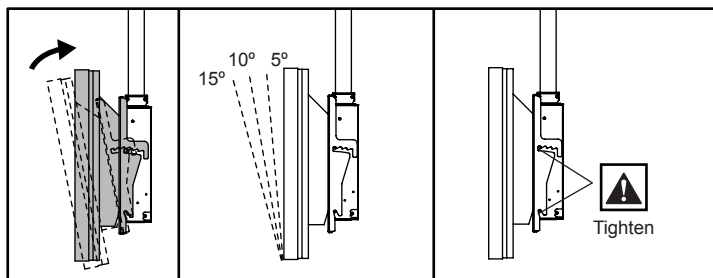
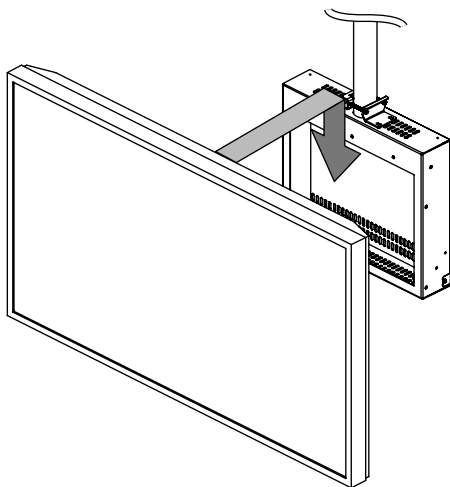
If screw (M) bottoms out, use one or two washers (I) in each mounting hole position.



L, M

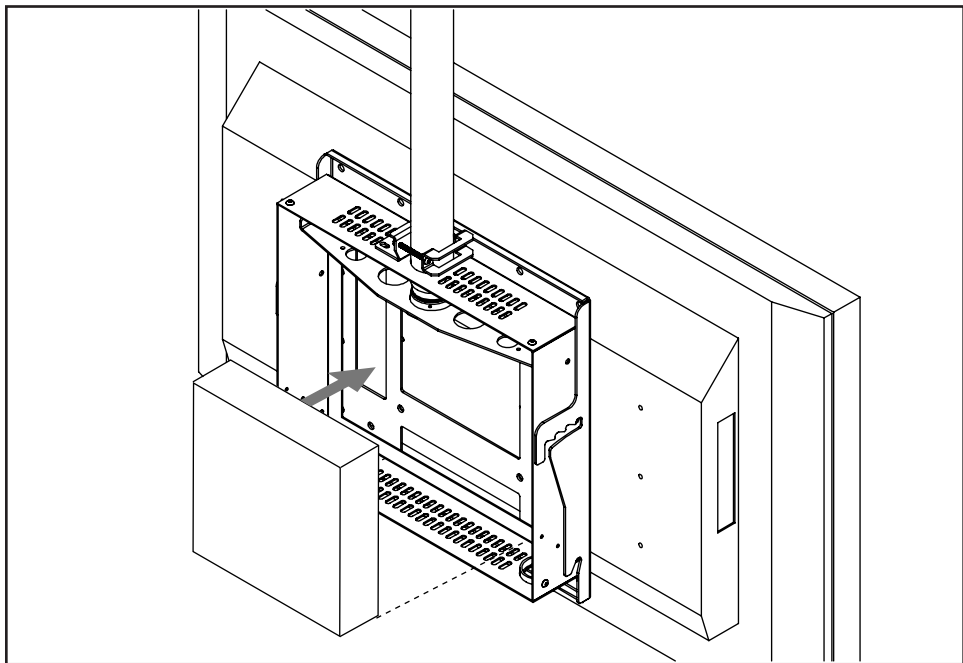


8

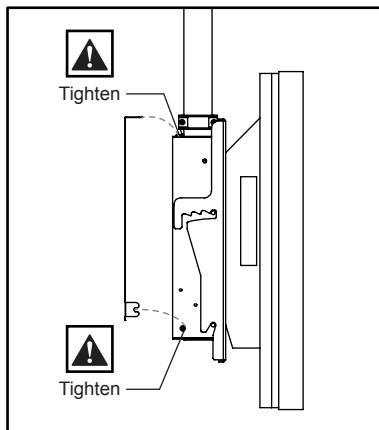
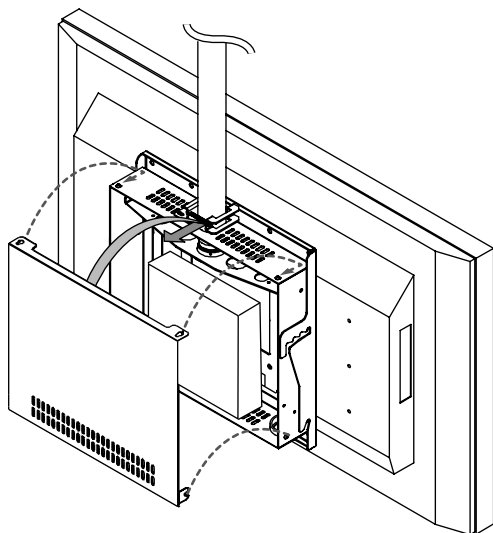


9

install media player is space provided before attaching rear cover.



10



LIMITED FIVE-YEAR WARRANTY

Peerless Industries, Inc. ("Peerless") warrants to original end-users of Peerless® products will be free from defects in material and workmanship, under normal use, for a period of five years from the date of purchase by the original end-user (but in no case longer than six years after the date of the product's manufacture). At its option, Peerless will repair or replace, or refund the purchase price of, any product which fails to conform with this warranty.

In no event shall the duration of any implied warranty of merchantability or fitness for a particular purpose be longer than the period of the applicable express warranty set forth above. Some states do not allow limitations on how long a implied warranty lasts, so the above limitation may not apply to you.

This warranty does not cover damage caused by (a) service or repairs by the customer or a person who is not authorized for such service or repairs by Peerless, (b) the failure to utilize proper packing when returning the product, (c) incorrect installation or the failure to follow Peerless' instructions or warnings when installing, using or storing the product, or (d) misuse or accident, in transit or otherwise, including in cases of third party actions and force majeure.

In no event shall Peerless be liable for incidental or consequential damages or damages arising from the theft of any product, whether or not secured by a security device which may be included with the Peerless® product. Some states do not allow the exclusion or limitation of incidental or consequential damages, so the above limitation or exclusion may not apply to you.

This warranty is in lieu of all other warranties, expressed or implied, and is the sole remedy with respect to product defects. No dealer, distributor, installer or other person is authorized to modify or extend this Limited Warranty or impose any obligation on Peerless in connection with the sale of any Peerless® product.

This warranty gives specific legal rights, and you may also have other rights which vary from state to state.

peerless-AV[®]

Peerless-AV
2300 White Oak Circle
Aurora, IL 60502
Email: tech@peerlessmounts.com
Ph: (800) 865-2112
Fax: (800) 359-6500
www.peerless-av.com

Peerless-AV Europe
Unit 3 Watford Interchange,
Colonial Way, Watford, Herts,
WD24 4WP, United Kingdom
Customer Care
44 (0) 1923 200 100
www.peerless-av.com

Peerless-AV de Mexico
Ave de las Industrias 413
Parque Industrial Escobedo
Escobedo N.L Mexico 66050
Servicio al Cliente
01-800-849-65-77
www.peerless-av.com