

Overview

In the MXD-1001 10.1" Modero X Series® G5 Wall/Flush Mount Touch Panel, available in portrait (FG5968-48) and landscape (FG5968-49) models, the most elegant interface designed specifically for dedicated room control has been significantly enhanced to include a new G5 Graphic Engine to provide even faster and smoother animations and transitions. It also quadruples the processing power with a new Quad Core Processor. This new generation of touch panels is built for usability offering edge-to-edge capacitive touch glass with multi-touch capabilities. It features advanced technology empowering users to operate AV equipment seamlessly, while providing the ultimate in audio and video quality. The distinctive appearance will complement even the most sophisticated meeting facilities and homes. With a lightning fast processor, brilliant graphics and enhanced capabilities, the Modero X Series is the control surface that simply delivers more.

For more information on installation and configuration, please refer to the *MXT/MXD-1001 Operation Reference Guide*, available at www.amx.com.



FIG. 1 MXD-1001, Landscape and Portrait

Common Applications

The MXD-1001 is ideal for boardrooms, conference rooms or auditoriums where a control surface is needed to provide access to key functions. In residences, it is perfect for kitchens, home theaters or home offices where it can be used to manage systems throughout the house.

Features

- **G5 Graphics Engine and Quad Core Processing** – The most powerful processing in the industry delivers smooth gesturing, animations and transitions all at higher speeds for an experience any user will enjoy.
- **Apps** - Modero X Series G5 touch panels now have the ability to run stand-alone applications (apps) within the control environment.
- **Simplified Enterprise Touch Panel Updates** – Deploy and update touch panel files from a network URL for simplified company-wide updates.
- **Latest Communication Technologies** – Supports Near Field Communication™ (NFC) - short-range wireless technologies that deliver peer-to-peer communication by 'sharing, pairing and transaction' between RF devices like exchanging data/identities.
- **Enhanced Usability** – HD video streaming.
- **Perfect From Any Angle** – Includes In-Plane Switching (IPS), the latest technology in popular tablet/mobile devices that delivers the widest viewing angles and the most accurate color reproduction on the market.

Product Specifications

MXD-1001 (FG5968-48/49) Specifications	
Power:	PoE (Power over Ethernet), 802.3af, class 3
Power Consumption:	<ul style="list-style-type: none"> • Full-On: 12.95 W maximum • Standby: 5.8 W • Shutdown: 1 W
Operating Environment:	<ul style="list-style-type: none"> • Operating Temperature: 32° F to 104° F (0° C to 40° C) • Storage Temperature: 4° F to 140° F (-20° C to 60° C) • Humidity Operating: 20% to 85% RH • Humidity Storage: 5% to 85% RH
Dimensions (HWD):	<ul style="list-style-type: none"> • Landscape: 6 11/16" x 9 7/8" x 2 5/8" (171 mm x 252 mm x 67 mm) • Portrait: 9 7/8" x 6 11/16" x 2 5/8" (252 mm x 171 mm x 67 mm)
Weight:	2.0 lbs (0.91 Kg)
Certifications:	<ul style="list-style-type: none"> • UL • FCC Part 15 Class B • C-Tick CISPR 22 Class B • CE EN 55022 Class B and EN 55024 • CB Scheme IEC 60950-1 • IC • IEC/EN-60950 • RoHS

MXD-1001 (FG5968-48/49) Specifications (Cont.)	
Included Accessories:	<ul style="list-style-type: none"> • MXD-1001 Installation Guide (93-5968-48) • MXA-CLK Modero X Series Cleaning Kit (FG5968-16) • MXD-1001 Installation Template (68-5968-03)
Other AMX Equipment:	<ul style="list-style-type: none"> • PS-POE-AF-TC, POE Injector, 802.3af Compliant (FG423-83) • NXA-ENET8-2POE, Gigabit Switch, 8 Port POE, 2 Port SFP (FG2178-63) • MXA-MPL, Modero X Series Multi Preview Live (FG5968-10) • MXA-MP, Modero X Series Multi Preview (FG5968-20) • MXA-RMK-10 10.1" Modero X Series Rack Mount Kit (FG5969-62) • MXA-FMK-10, Flush Mount Kit, 10" Modero X Wall (FG5968-70)

Panel Connectors and Wiring

FIG. 2 shows the connectors located on the underside of the MXD-1001. The Micro-USB port is used for camera video output.

Power for the MXD-1001 via Power Over Ethernet

Power for the MXD-1001 is supplied via Power Over Ethernet (PoE), utilizing an AMX-certified, capacitive touch-compliant PoE injector such as the PS-POE-AT High Power PoE Injector (FG423-81) or other approved AMX PoE power source. The incoming Ethernet cable should be connected to the RJ45 port on the MXD-1001 (FIG. 2 and FIG. 3).

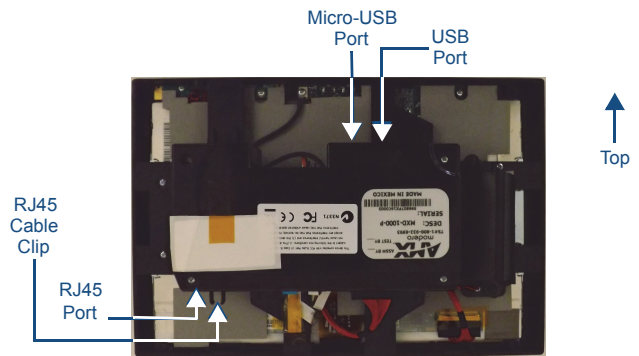


FIG. 2 Rear of the MXD-1001 (Landscape)

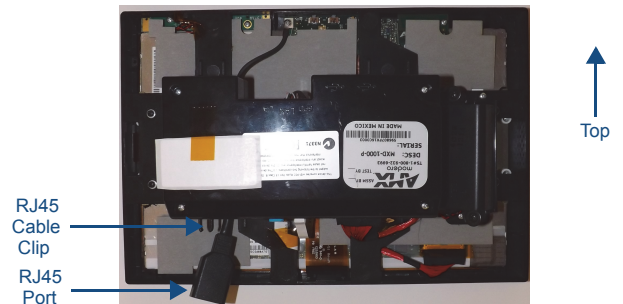


FIG. 3 Rear of the MXD-1001 (detail of the RJ45 connection)

Configuring the MXD-1001

The MXD-1001 is equipped with Settings Pages that allow you to set and configure various features on the panel. For more information on connecting and configuring the MXD-1001 to a network, please refer to the *Modero X Series G5 Programming Guide*, available at www.amx.com.

Accessing the Settings App

To access the *Settings* app on the MXT-1001, press and hold the **Sleep** Button (FIG. 1) on the top of the panel for 3 seconds. The user will be prompted to release the button to enter the *Settings* app.

Accessing the NetLinx Subpage

1. From the *Settings* app page, select **NetLinx**. This opens a password keypad.
2. Enter the panel password into the keypad (the default is **1988**) and select **OK** to access the subpage.

Setting the Panel's Device Number and Device Name

In the *NetLinx* subpage:

1. Press **Device Number** to open the NetLinx editing window.
2. Enter a unique Device Number assignment for the panel and press **OK**.
3. Enter a unique Device Name assignment for the panel and press **OK**.

Accessing the Ethernet Subpage

1. From the *Settings* app, select *Ethernet*. This opens a password keypad.
2. Enter the panel password into the keypad (the default is **1988**) and select **OK** to access the subpage.

Connecting to a Master

The panel requires that you establish the type of connection you want to make between it and your Master.

In the *NetLinX* page:

1. Press *Mode* to toggle through the available connection modes:

Connection Modes		
Mode	Description	Procedures
Auto	The device connects to the first master that responds. This setting requires that you set the System Number.	Setting the System Number: 1. Select Master System Number to open the keypad. 2. Set your Master System Number and select OK .
URL	The device connects to the specific IP of a master via a TCP connection. This setting requires that you set the Master's IP.	Setting the Master IP: 1. Select the Master IP number to open the keypad. 2. Set your Master IP and select OK .
Listen	The device "listens" for the Master to initiate contact. This setting requires you provide the master with the device's IP.	Confirm device IP is on the Master URL list. You can set the Host Name on the device and use it to locate the device on the master. Host Name is particularly useful in the DHCP scenario where the IP address can change.

2. If you have enabled password security on your Master, you need to set the username and password within the device.
 - a. Select *Username* to open the NetLinX editing window.
 - b. Set your Username and Master Password.
 - e. Click **OK** to return to the *NetLinX* page.

Configuring the Panel to a Network

The first step is to configure the panel's communication parameters. This only configures the panel to communicate with a network, and it is still necessary to tell the panel with which Master it should be communicating.

Network Communication With a DHCP Address

In the *Ethernet* subpage:

1. Toggle the *DHCP/Static* field to open the *DHCP/Static* window. DHCP is the default setting. This action causes all fields on the *Ethernet* subpage (other than *Host Name*) to be greyed-out.
2. Select *Host Name* to open the Host Name window. Enter the new host name and click **OK**.

Network Communication with a Static Address

In the *Ethernet* subpage:

1. Toggle the *DHCP/Static* field to open the *DHCP/Static* window.
2. Select *Static* in the window. This opens the *Static IP* editing window.
3. Click on any field to open either a keypad (for numeric entries) or keyboard (for alpha-numeric entries). To minimize the keypad/keyboard, click the two downward-pointing arrows at the bottom right corner of the screen.
4. Enter your network's information in the *Static IP* editing window. To move from field to field, simply press the next field you wish to edit.
5. When finished, click **OK** to save your changes and return to the *Ethernet* subpage.

Installing the MXD-1001

The MXD-1001 can be installed either directly into a solid surface environment, using either solid surface screws or the included locking tabs for different mounting options. For more information, please refer to the *MXD-1001 Operation/Reference Guide*, available at www.amx.com.

The MXD-1001 is contained within a clear outer housing known as the back box. This back box is removed when installing the device into a wall or when using the optional Rough-In Box accessory (FG039-17). For more information on back box removal, please refer to the *MXD/T-1001 Operation Reference Guide*, available at www.amx.com.

Installing the MXD-1001 into a wall

The back box (FIG. 4) is designed to attach the panel to most standard wall and solid surface materials. This back box has four locking tabs (two on top and two on bottom) to help lock the back box to the wall. These locking tabs are only extended AFTER the back box is inserted into the wall. Using the locking tabs is highly recommended for standard mounting surfaces such as walls. For thin walls and solid surfaces, use #4 mounting screws (not included).

WARNING: When installing the back box, make sure that the assembly is in the correct position and in the correct place. Once the locking tabs are extended and locked into place, removing the back box may be difficult without having access to the back of the wall or causing damage to the wall.

Note: In order to guarantee a stable installation of the MXD-1001, the thickness of the wall material must be a minimum of .50 inches (1.27cm) and a maximum of .875 inches (2.22cm). The surface should also be smooth and flat.

WARNING: The maximum recommended torque to screw in the locking tabs on the plastic back box is 5 IN-LB [56 N-CM]. Applying excessive torque while tightening the tab screws, such as with powered screwdrivers, can strip out the locking tabs or damage the plastic back box.

6. After ensuring proper placement, cut out the mounting surface, using the MXD-1001 Installation Template (68-5968-03) as a guide. Refer to the dimensions in the MXD-

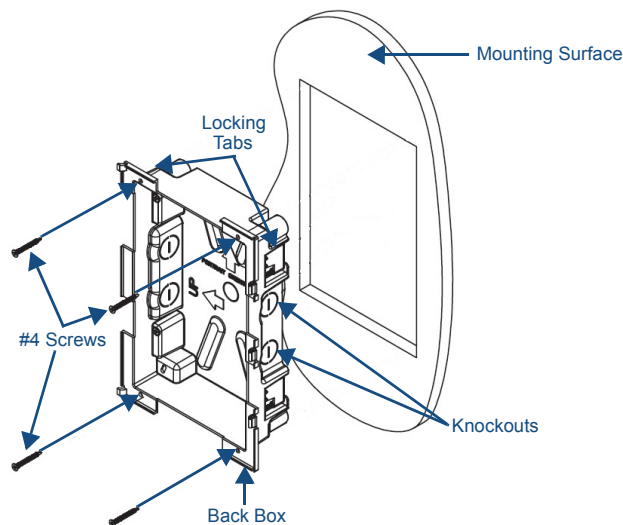


FIG. 4 MXD-1001 Back Box Installation (Portrait)

1001 Operation/Reference Guide, available from www.amx.com, for more information.

CAUTION: Making sure the actual cutout opening is slightly smaller than the provided dimensions is highly recommended. This action provides the installer with a margin for error if the opening needs to be expanded. Too little wall material removed is always better than too much.

7. Remove the back box knockouts (FIG. 4) and thread the incoming wiring through the knockout holes. To facilitate installation, thread the Ethernet cable through a bottom knockout (Landscape) or a right-side knockout (Portrait), and the Micro-USB or USB cables through a top knockout (Landscape) or left knockout (Portrait).
8. Thread the incoming Ethernet and Micro-USB wiring (if Micro-USB access is desired) from their terminal locations through the surface opening and through the knockouts.
9. Push the back box flat into the mounting surface and secure with either the locking tabs or #4 mounting screws (not included). In order to prevent damage to the touch panel, make sure that any screws used are flush with the back box, and the back box goes freely into the opening.
10. Insert each connector into its corresponding location along the back of the MXD-1001. Gently pull the RJ45 adapter from underneath the electronics cover (FIG. 3), attach the RJ45 cable, and push the connection back under the cover. Lock the RJ45 cable into the clip above the cable connection (FIG. 2) to facilitate the rest of the installation.
11. Test the incoming wiring by attaching the panel connections to their terminal locations and applying power. Verify that the panel is receiving power and functioning properly to prevent repetition of the installation.

NOTE: Do not disconnect the connectors from the touch panel. The unit must be installed with the attached connectors before being inserted into the drywall.

12. Latch the panel onto the top hooks on the back box and rotate it down (Landscape) onto the bottom snaps or on the left side and rotate it to the right (Portrait installation) (FIG. 5). Press gently but firmly on the ends until the snaps "click" to lock it down.

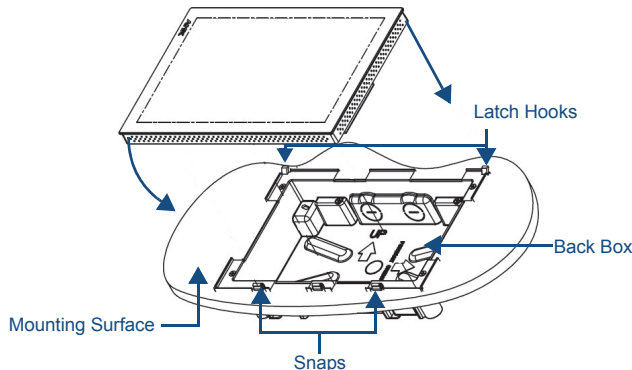


FIG. 5 Installing the MXD-1001

WARNING: if you see a gap between the panel and the back box, or feel any binding while locking down the panel, stop immediately and verify that no cables or other items are in the way. Do not force the panel into position, as this can cause damage to the touch screen or the panel electronics.

13. Reconnect the terminal Ethernet and USB to their respective locations on either the Ethernet port or NetLinX Master.

Uninstalling the MXD-1001

For information on uninstalling the MXD-1001, please refer to the *MXD/T-1001 Operation Reference Guide*, available at www.amx.com.

NOTE: For a demonstration of MXD-1001 uninstallation, please refer to the *Modero X Wall Removal video* on the *AMXconfigure* channel on YouTube: <http://www.youtube.com/user/AMXconfigure/>

