

**WARRANTY
REGISTRATION**

Register online today for a chance
to win a FREE Tripp Lite product www.triplite.com/warranty



Owner's Manual

18U Wall-Mounted SmartRack™ Enclosure

Model: SRW18US13

Table of Contents

1. Important Safety Instructions	2	6. Wall Mounting the Enclosure	5
2. Overview	2	6.1 Mounting	5
3. Feature Identification	2	7. Equipment Installation	6
4. Enclosure Installation	3	7.1 Installing or Removing Cage Nuts	6
4.1 Preparation	3	7.2 Alternate Mounting: Tapped Hole Mounting Rail	7
4.2 Unpacking	3	8. Specifications	7
4.3 Placement	3	9. Storage and Service	8
4.4 Ground Connection	3	10. Warranty & Warranty Registration	8
5. Enclosure Configuration	4	Español	9
5.1 Door Locks	4	Français	17
5.2 Cable Access & Management	4		
5.3 Reversing the Front Door	4		
5.4 Reversing the Enclosure	4		
5.5 Mounting Rails	5		
5.6 Adjusting Mounting Rail Depth	5		



1111 W. 35th Street, Chicago, IL 60609 USA • www.triplite.com/support

Copyright © 2012 Tripp Lite. All trademarks are the sole property of their respective owners.

1. Important Safety Instructions



SAVE THESE INSTRUCTIONS

This Manual contains instructions and warnings that must be followed during the installation and operation of the product described in this manual. Failure to comply may invalidate the warranty and cause property damage or personal injury.

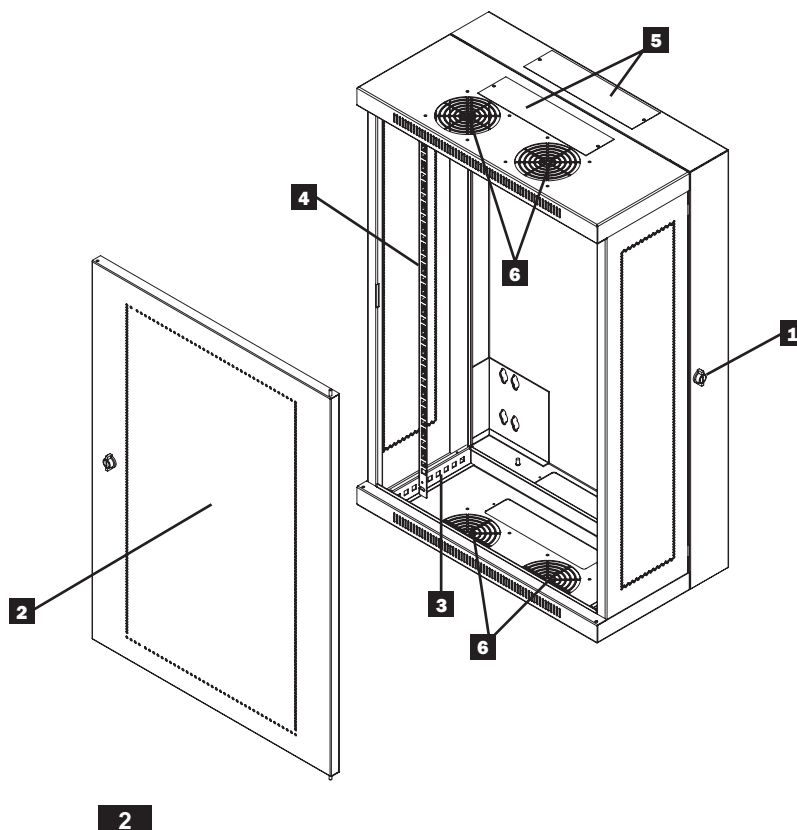
- Keep the enclosure in a controlled indoor environment, away from moisture, temperature extremes, flammable liquids and gasses, conductive contaminants, dust and direct sunlight.
- Leave adequate space at the front and rear of the enclosure for proper ventilation. Do not block, cover or insert objects into the external ventilation openings of the enclosure.
- The enclosure is extremely heavy. Use caution when handling the enclosure. Do not attempt to unpack, move or install it unassisted. Use a mechanical device such as a forklift or pallet jack to move the enclosure in the shipping container.
- Do not place any object on the enclosure, especially containers of liquid, and do not attempt to stack the enclosures.
- Inspect the shipping container and the enclosure for shipping damage. Do not use the enclosure if it is damaged.
- Leave the enclosure in the shipping container until it has been moved as close to the final installation location as possible.
- Install the enclosure in a structurally sound area capable of handling the load, or on a level floor that is able to bear the weight of the enclosure, all equipment that will be installed in the enclosure and any other enclosures and/or equipment that will be installed nearby.
- Use caution when cutting packing materials. The enclosure could be scratched, causing damage not covered by the warranty.
- Save all packing materials for later use. Repacking and shipping the enclosure without the original packing materials may cause product damage that will void the warranty.
- Do not reship the enclosure with additional equipment unless the enclosure was shipped with a special shock pallet ("SP1" models only). The combined weight of the enclosure and installed equipment must not exceed the load capacity of the pallet. Tripp Lite is not responsible for any damage that occurs during reshipment.
- Use of this equipment in life support applications where failure of this equipment can reasonably be expected to cause the failure of the life support equipment or to significantly affect its safety or effectiveness is not recommended. Do not use this equipment in the presence of a flammable anesthetic mixture with air, oxygen or nitrous oxide.

2. Overview

SmartRack Enclosures accommodate all standard 19-inch rackmount equipment, regardless of vendor, and ship fully assembled for quick and easy deployment.

3. Feature Identification

- 1** Locking Rear Door
- 2** Locking/Reversible Front Door
- 3** Horizontal Rails
- 4** Vertical Mounting Rails
- 5** Removeable Cable Access Hole Covers
- 6** Vents



4. Enclosure Installation



Caution! Read All Instructions and Warnings Before Installation!



Warning: Rack enclosures can be extremely heavy. Do not attempt to unpack, move or install the enclosure without assistance. Use extreme caution when handling the enclosure and be sure to follow all handling and installation instructions. Do not attempt to install equipment without first stabilizing the enclosure.

4.1 Preparation

The enclosure must be installed in a structurally sound area that is able to bear the weight of the enclosure, all the equipment that will be installed in the enclosure and any other enclosures and/or equipment that will be installed nearby. Before unpacking the enclosure, you should transport the shipping container closer to the final installation location to minimize the distance you will need to move the unit after the protective packaging has been removed. If you plan to store the enclosure for an extended period before installation, follow the instructions in the **Storage and Service** section.

You need several tools:

- Level
- Phillips-head Screwdriver
- Appropriate tools for wall mounting

You also need the following hardware:

- Appropriate hardware for wall mounting (not included)

Note: The hardware used in mounting the enclosure must be able to withstand the weight of the enclosure and all mounted equipment. For the weight of the enclosure and its capacity, see the specifications on page 8.

4.2 Unpacking



Use at least two people to unpack the enclosure.



- 1** Move shipping pallet to a firm, level surface.
- 2** Open box and remove the corner protectors. Save all packing materials for later use unless you are certain they will not be required. Packing materials are recyclable.
- 3** With one person on each side, carefully lift the enclosure out of the box and place on a firm, level surface.
- 4** Examine the enclosure for any damage or loose parts. Confirm all parts are present. If anything is missing or damaged, contact Tripp Lite for assistance. Do not attempt to use the enclosure if it has been damaged.

4.3 Placement

If using the optional casters, you can use the casters to move the enclosure for a short distance over a level, smooth, stable surface by pushing it from the front or rear (not the side panels). Do not attempt to roll the enclosure over long distances. The enclosure should be moved close to its installation location inside its shipping container before it is unpacked. **Warning: Use appropriate equipment and follow all applicable safety procedures and regulations.**

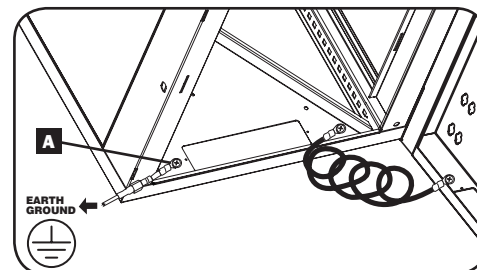


Warning: Never attempt to lift or install without adequate help. Do not try lifting the enclosure alone.



4.4 Ground Connection

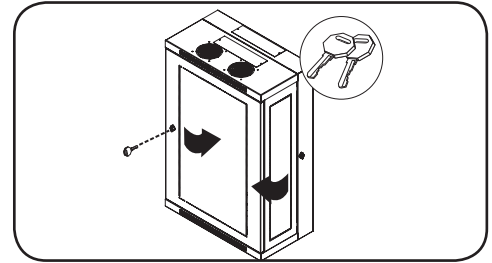
All parts of the enclosure are grounded to the frame of the enclosure. Connect your facility's earth ground connection to the provided ground stud **A** using an 8 AWG (3.264 mm) wire. **Warning: Attach each enclosure to earth ground separately. Do not use the enclosure without an earth ground connection.**



5. Enclosure Configuration

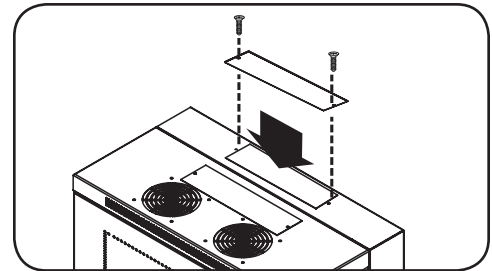
5.1 Door Locks

The front and back doors have locks that are accessible by the included keys.



5.2 Cable Access and Management

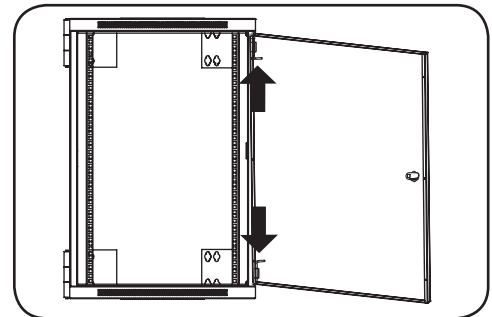
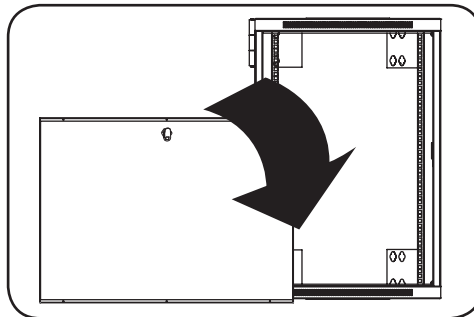
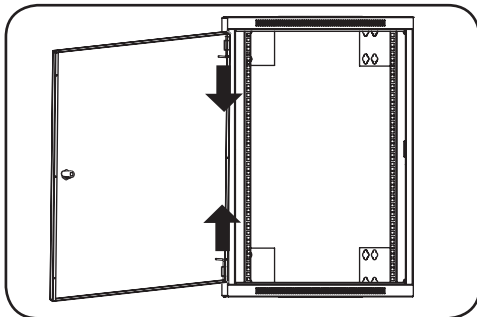
The back door of the enclosure has a square opening for cable access and management. An additional opening can be found on top of the main cabinet. Each opening can also be closed by screwing in the removeable cable access panels.



5.3 Reversing the Front Door

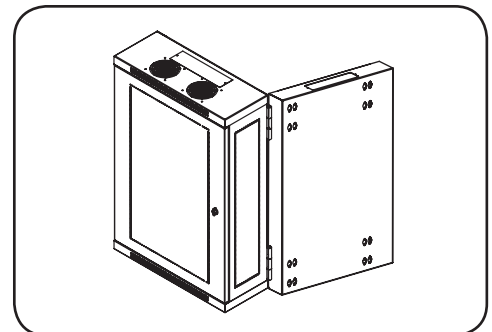
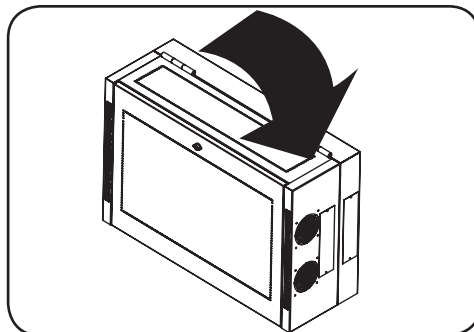
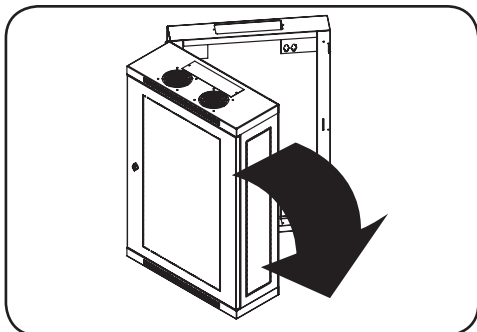
The front door of the enclosure is hinged into position on the enclosure's frame with two spring-loaded pins. To reverse the door's swing direction, simply release the pins by pulling them up (lower pin) or down (upper pin) and remove them from the mounting holes on the frame of the enclosure.

Flip the door in the opposite direction and replace the pins in the identical mounting holes on the other side of the enclosure's frame by lining them up with the mounting holes and engaging them again.



5.4 Reversing the Enclosure

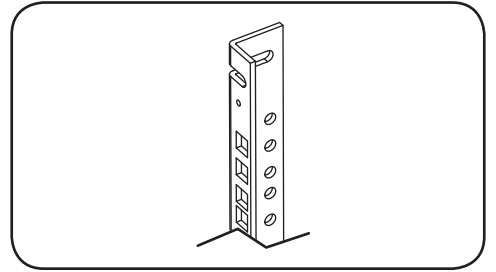
In order to accommodate different rack configurations, the enclosure can be reversed to allow the back door to swing in the other direction. To do so, simply turn the enclosure over and mount in this position (see next section for mounting).



5. Enclosure Configuration *(continued)*

5.5 Mounting Rails

The enclosure comes with mounting rails that have square holes (default position) and tapped holes for mounting rack equipment. To install equipment, use the included cage nuts and other hardware. (See page 7 for installation of cage nuts.) **Warning: Be sure to have the enclosure securely mounted to the wall, or in its final position on the floor before mounting any equipment inside. Also be sure to have all the right adjustments on your rails before mounting equipment. (See below for Adjusting Mounting Rail Depth.)**

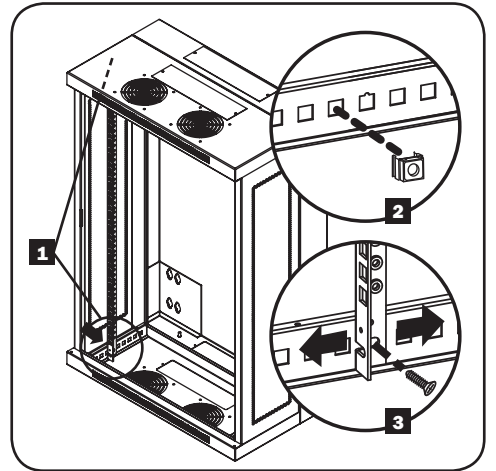


5.6 Adjusting Mounting Rail Depth

Warning: Do not attempt to adjust rails while equipment is installed in the enclosure. Do not attempt to use rails without screws installed. (2 per rail.)

The 2 adjustable mounting rails are pre-installed to accommodate standard equipment. Do not adjust the mounting rails unless your equipment requires a different mounting depth.

- 1 Each rail is connected to the enclosure with 2 screws and 2 cage nuts: 1 set in the upper corner and another in the lower corner. Using a Phillips-head screwdriver, remove the screws that fasten the rails to the enclosure.
- 2 Move cage nuts to desired depth and reinstall.
- 3 Slide the mounting rails to the desired depth and reattach them using the screws you removed in Step 1.



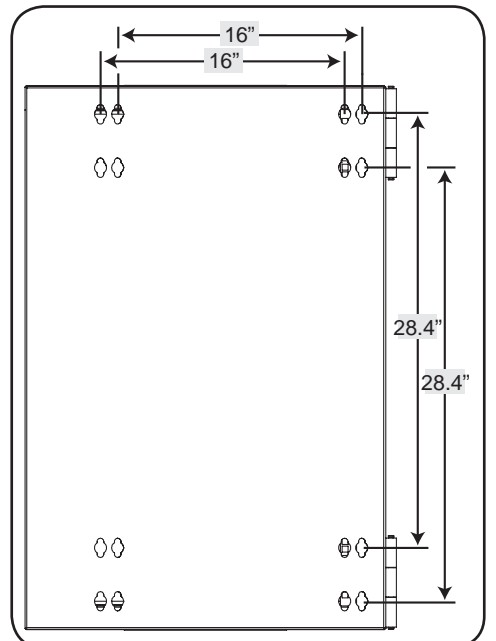
6. Wall Mounting the Enclosure

Warning: Do not attempt to mount the enclosure to the wall with equipment mounted in the enclosure.

6.1 Mounting

There are 16 keyhole cutouts on the back door of the enclosure. Each keyhole can accommodate an M5 or 3/16" bolt. The holes are centered 16" apart horizontally to accommodate the standard placement of wall studs. Holes are then 28.4" apart vertically, as shown in the diagram.

Using a level, measure to position your mounting areas precisely. Use appropriate fasteners (not included) to secure the enclosure to the wall. **Warning: The hardware you plan to use and the area you plan to mount the enclosure to must be able to withstand the weight of the enclosure and all mounted equipment. For the weight of the enclosure and its capacity, see the specifications on page 7.**

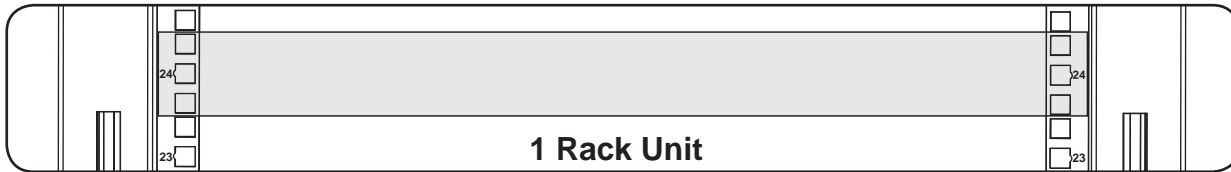


7. Equipment Installation

Warning: Do not install equipment until you have stabilized the enclosure. Install heavier equipment first and install it towards the bottom of the enclosure. Install equipment starting from the bottom of the enclosure and proceeding toward the top of the enclosure - never the reverse. If using sliding equipment rails, be careful when extending the rails. Do not extend more than one set of sliding equipment rails at one time. Avoid extending sliding equipment rails near the top of the enclosure.

Note: The unit comes with two different kinds of screws for equipment installation. Use the black mounting screws if you are securing your equipment to the square hole side of the mounting rail. Use the silver screws if you are securing your equipment to the tapped hole side of the mounting rail.

Note: The square holes in the middle of each rack unit are numbered and also include a small notch to aid identification. A single rack unit includes the space occupied by the numbered hole and the holes directly above and below.



7.1 Installing or Removing Cage Nuts

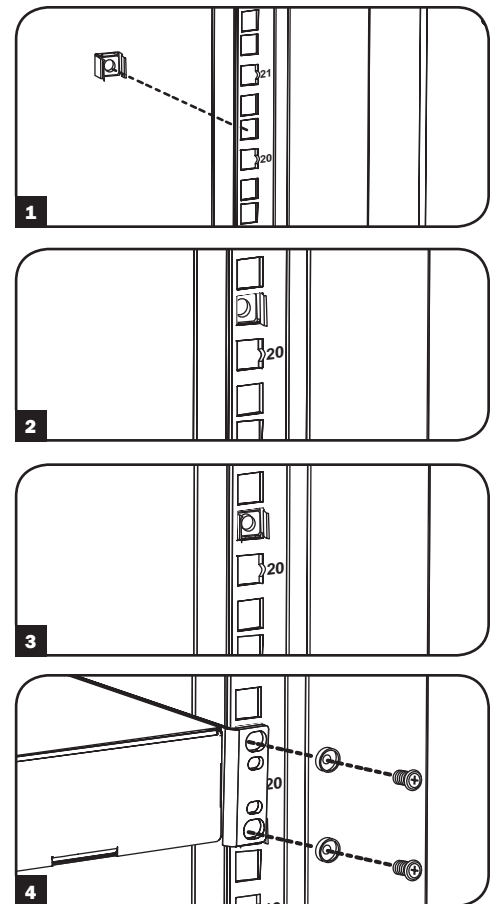
WARNING: The flanges of the cage nuts should engage the sides of the square opening in the rail, not the top and bottom. Follow the instructions in your equipment documentation to ensure proper installation of your equipment.

- 1 Locate the numbered square openings in the mounting rails where you plan to install your equipment. You will install cage nuts (included) into the square openings in order to provide an attachment point for the mounting screws (included). Note: Consult your equipment documentation to determine how many cage nuts will be required and where they will need to be installed.
- 2 From the inside of the mounting rail, insert one of the flanges of the cage nut through the square opening. Press it against the side of the square opening. Each flange should engage one side of the square opening, not the top or bottom.
- 3 Compress the cage nut at the sides slightly to allow the remaining flange to fit through the square opening. When the cage nut is properly installed, both flanges will protrude through the square opening and will be visible on the outer surface of the mounting rail. Repeat steps 1-3 until all required cage nuts are installed.
- 4 After installing the required cage nuts, use the included black mounting screws and cup washers to secure your equipment to the rack rail. Place the cup washers between the screws and the equipment mounting brackets.

Note: Your equipment may also include mounting hardware. Read the mounting instructions that came with your equipment before installing your equipment.

To Remove Cage Nuts, Reverse Steps 1-3

Note: You may wish to use a cage nut tool (user-supplied) to aid cage nut installation and removal.

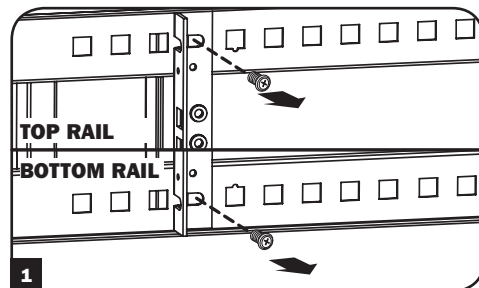


7. Equipment Installation *(continued)*

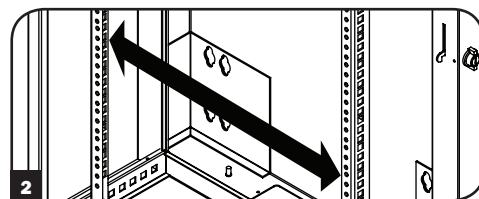
7.2 Alternate Mounting: Tapped Hole Mounting Rail

The 2 mounting rails are pre-installed for securing equipment using the square hole side of the mounting rail. To switch to the tapped hole side of the mounting rail, follow the steps below:

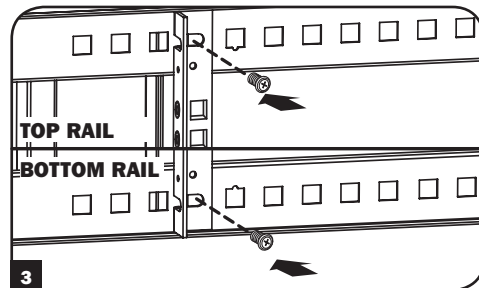
- 1 Each rail is connected to the enclosure with 2 screws: 1 in the upper corner and another in the lower corner. Using a Phillips-head screwdriver, remove the screws that fasten the rails to the enclosure.



- 2 Switch the rail locations. Ensure the tapped hole side of each rail is facing the front door.

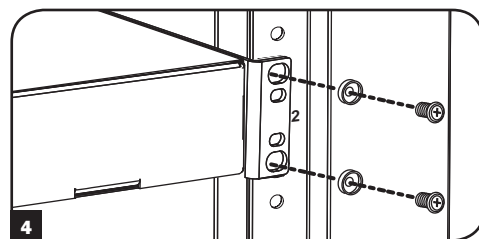


- 3 Reattach the mounting rails.



- 4 Use the included silver mounting screws to secure your equipment to the rack rail. Place the cup washers between the screws and the equipment mounting brackets.

Note: Your equipment may also include mounting hardware. Read the mounting instructions that came with your equipment before installing your equipment.



8. Specifications

Model	SRW18US13
Dimensions (H x W x D)	35.6" (905 mm) x 23.6" (600 mm) x 13" (330.2 mm)
Unit Weight	83.8 lb (38 kg)
Load Capacity*	250 lb (113 kg) Stationary

* Full wall-mount load capacity requires a mounting surface capable of bearing the full load.

9. Storage and Service

Storage

The enclosure should be stored in a controlled indoor environment, away from moisture, temperature extremes, flammable liquids and gasses, conductive contaminants, dust and direct sunlight. Store the enclosure in its original shipping container if possible.

Service

Your Tripp Lite product is covered by the warranty described in this manual. A variety of Extended Warranty and On-Site Service Programs are also available from Tripp Lite. For more information on service, visit www.tripplite.com/support. Before returning your product for service, follow these steps:

1. Review the installation and operation procedures in this manual to insure that the service problem does not originate from a misreading of the instructions.
2. If the problem continues, do not contact or return the product to the dealer. Instead, visit www.tripplite.com/support.
3. If the problem requires service, visit www.tripplite.com/support and click the Product Returns link. From here you can request a Returned Material Authorization (RMA) number, which is required for service. This simple on-line form will ask for your unit's model and serial numbers, along with other general purchaser information. The RMA number, along with shipping instructions will be emailed to you. Any damages (direct, indirect, special or consequential) to the product incurred during shipment to Tripp Lite or an authorized Tripp Lite service center is not covered under warranty. Products shipped to Tripp Lite or an authorized Tripp Lite service center must have transportation charges prepaid. Mark the RMA number on the outside of the package. If the product is within its warranty period, enclose a copy of your sales receipt. Return the product for service using an insured carrier to the address given to you when you request the RMA.

10. Warranty and Warranty Registration

5-Year Limited Warranty

Seller warrants this product, if used in accordance with all applicable instructions, to be free from original defects in material and workmanship for a period of 5 years from the date of initial purchase. If the product should prove defective in material or workmanship within that period, Seller will repair or replace the product, at its sole discretion.

THIS WARRANTY DOES NOT APPLY TO NORMAL WEAR OR TO DAMAGE RESULTING FROM ACCIDENT, MISUSE, ABUSE OR NEGLIGENCE. SELLER MAKES NO EXPRESS WARRANTIES OTHER THAN THE WARRANTY EXPRESSLY SET FORTH HEREIN. EXCEPT TO THE EXTENT PROHIBITED BY APPLICABLE LAW, ALL IMPLIED WARRANTIES, INCLUDING ALL WARRANTIES OF MERCHANTABILITY OR FITNESS, ARE LIMITED IN DURATION TO THE WARRANTY PERIOD SET FORTH ABOVE; AND THIS WARRANTY EXPRESSLY EXCLUDES ALL INCIDENTAL AND CONSEQUENTIAL DAMAGES. (Some states do not allow limitations on how long an implied warranty lasts, and some states do not allow the exclusion or limitation of incidental or consequential damages, so the above limitations or exclusions may not apply to you. This warranty gives you specific legal rights, and you may have other rights which vary from jurisdiction to jurisdiction).

WARNING: The individual user should take care to determine prior to use whether this device is suitable, adequate or safe for the use intended. Since individual applications are subject to great variation, the manufacturer makes no representation or warranty as to the suitability or fitness of these devices for any specific application.

Warranty Registration

Visit www.tripplite.com/warranty today to register the warranty for your new Tripp Lite product. You'll be automatically entered into a drawing for a chance to win a FREE Tripp Lite product!*

* No purchase necessary. Void where prohibited. Some restrictions apply. See website for details.

Tripp Lite has a policy of continuous improvement. Specifications are subject to change without notice.



1111 W. 35th Street, Chicago, IL 60609 USA • www.tripplite.com/support

Copyright © 2012 Tripp Lite. All trademarks are the sole property of their respective owners.

Manual del propietario

Rack SmartRack™ para montar en pared 18U

Modelo: SRW18US13

Índice

1. Instrucciones de seguridad importantes	10	6.1 Montaje	13
2. Descripción general	10	7. Instalación del equipo	14
3. Identificación de características	10	7.1 Instalación o extracción de las tuercas en jaula	14
4. Instalación del rack	11	7.2 Instalación Alternativa: Riel de Instalación con Orificio Roscado	15
4.1 Preparación	11	8. Especificaciones	16
4.2 Desembalaje	11	9. Almacenamiento y mantenimiento	16
4.3 Conexión a tierra	11	10. Garantía	16
5. Configuración del rack	12	English	1
5.1 Cerraduras de las puertas	12	Français	17
5.2 Acceso y administración de los cables	12		
5.3 Inversión de la puerta frontal	12		
5.4 Inversión del rack	12		
5.5 Rieles de montaje	13		
5.6 Ajuste de la profundidad del riel de montaje	13		
6. Montaje del rack a la pared	13		



1111 W. 35th Street, Chicago, IL 60609 USA
www.tripplite.com/support

Copyright © 2012 Tripp Lite. Todas las otras marcas registradas son propiedad de sus respectivos dueños.

1. Instrucciones de seguridad importantes



GUARDE ESTAS INSTRUCCIONES

Este manual contiene instrucciones y advertencias que deben seguirse durante la instalación y operación del producto descrito en este manual. El incumplimiento invalidará la garantía, pudiendo causar serios daños a la propiedad y/o lesiones personales.

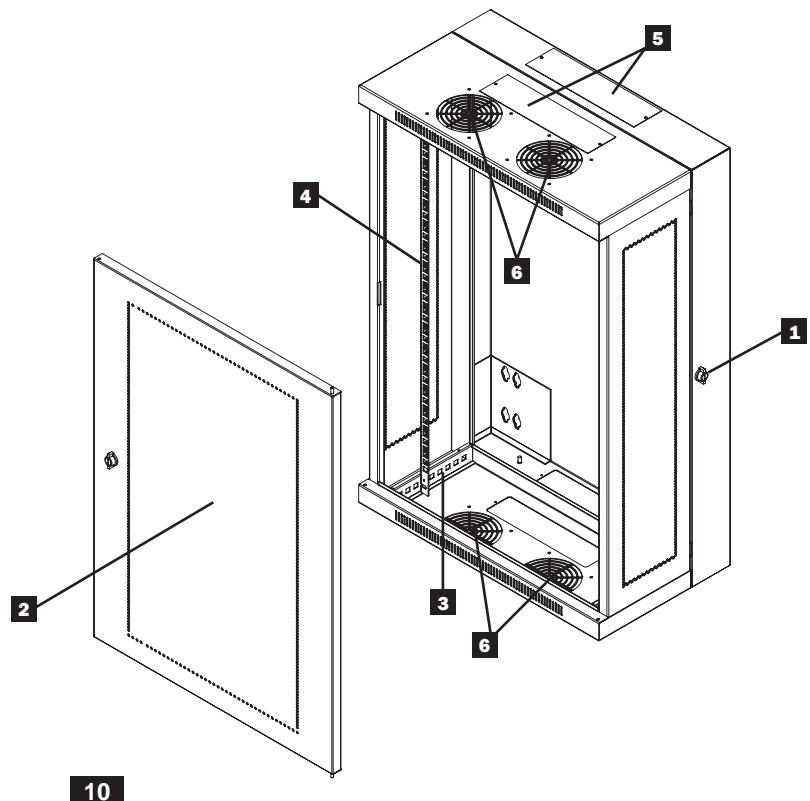
- Mantenga el rack en un ambiente interior controlado, lejos de la humedad, temperaturas extremas, líquidos y gases inflamables, contaminantes conductores, el polvo y la luz directa del sol.
- Deje espacio suficiente en el frente y la parte trasera del rack para una ventilación adecuada. No bloquee, cubra ni inserte objetos en las aberturas de ventilación externa del rack.
- El rack es extremadamente pesado. Manipúlelo con precaución. No intente desembalarlo, moverlo ni instalarlo sin ayuda. Utilice un dispositivo mecánico como una horquilla elevadora o un gato para palets para moverlo en el contenedor de envío.
- No coloque ningún objeto sobre el rack, especialmente contenedores de líquido, y no intente apilar los racks.
- Inspeccione el contenedor de envío y el rack para detectar daños producidos durante el transporte. No lo use si está dañado.
- Deje el rack en el contenedor de envío hasta que se lo haya movido lo más cerca posible del lugar de instalación.
- Instale el rack en un área estructuralmente sana, capaz de soportar la carga, o con piso nivelado capaz de soportar el peso del rack, de todos los equipos que se instalarán en el rack y de cualquier otro rack y/o equipo que se instalarán cerca.
- Corte el material de embalaje con precaución. El rack podría rayarse causando daños que no están cubiertos por la garantía.
- Guarde los materiales de embalaje para utilizarlos en el futuro. Si el rack se vuelve a embalar y a enviar sin los materiales de embalaje originales, se pueden causar daños que anularán la garantía.
- No vuelva a enviar el rack con equipos adicionales, a menos que haya sido enviado con un pálet especial contra golpes (sólo los modelos "SP1"). El peso combinado del rack y de los equipos instalados no debe exceder la capacidad de carga del pálet. Tripp Lite no se responsabiliza por ningún daño que se produzca durante el reenvío.
- No se recomienda el uso de este equipo en aplicaciones de mantenimiento artificial de la vida, donde se puede esperar razonablemente que su falla cause la falla del equipo de mantenimiento de la vida o que afecte de manera importante su seguridad o eficiencia. No use este equipo en presencia de mezclas anestésicas inflamables con aire, oxígeno u óxido nitroso.

2. Descripción general

Los racks SmartRack sirven para colocar cualquier equipo estándar para montar en rack de 19 pulgadas, independientemente del proveedor, y se envían completamente ensamblados para una implementación rápida y fácil.

3. Identificación de características

- 1** Puerta trasera de bloqueo
- 2** Puerta delantera de bloqueo/reversible
- 3** Rieles horizontales
- 4** Rieles de montaje vertical
- 5** Cubiertas de los orificios de acceso de cables removibles
- 6** Ventilaciones



4. Instalación del rack



Precaución. Lea todas las instrucciones y advertencias antes de la instalación.



Advertencia: Los racks pueden ser extremadamente pesados. No intente desembalarlo, moverlo ni instalarlo sin ayuda. Use máxima precaución al manipularlo y asegúrese de seguir todas las instrucciones de manipulación e instalación. No intente instalar equipos sin estabilizar primero el rack.

4.1 Preparación

El rack se debe instalar en una zona estructuralmente sana que pueda soportar su peso, el de todos los equipos que se instalarán en él y cualquier otro rack y/o equipos que se instalarán cerca. Antes de desembalar el rack, debería transportar el contenedor de envío lo más cerca posible de la ubicación de instalación final para minimizar la distancia que necesitará para moverlo después de quitarle el embalaje protector. Si planea almacenarlo durante un período prolongado antes de instalarlo, siga las instrucciones de la sección **Almacenamiento y servicio**.

Necesitará algunas herramientas:

- Nivel
- Destornillador Philips
- Herramientas adecuadas para el montaje en la pared

También necesita las siguientes herramientas:

- Herramientas adecuadas para el montaje en pared (no se incluyen)

Nota: Las herramientas utilizadas para montar los racks deben poder soportar el peso del rack y de todos los equipos montados. Para consultar el peso del rack y su capacidad, consulte las especificaciones de la página 16.

4.2 Desembalaje



Desempaque el bastidor con al menos dos personas.



- 1 Mueva el pálet de envío hacia una superficie firme y nivelada.
- 2 Abra la caja y extraiga los protectores. Guarde todos los materiales de embalaje para uso futuro, a menos que esté seguro de que no serán necesarios. Los materiales de embalaje son reciclables.
- 3 Con una persona de cada lado, eleve el rack con cuidado hacia afuera de la caja y colóquelo en una superficie firme y nivelada.
- 4 Examine el rack para detectar daños o partes sueltas. Confirme que estén todas las partes. Si algo falta o está dañado, comuníquese con Tripp Lite para obtener ayuda. No use el rack si está dañado.

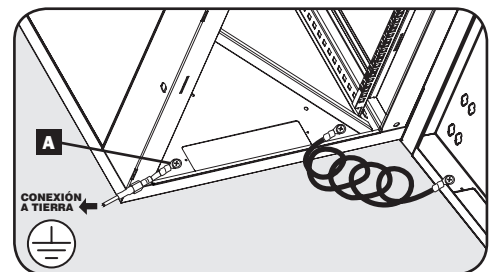


Advertencia: Nunca intente elevar o instalar el rack sin la ayuda adecuada. No intente elevar el rack usted solo.



4.3 Conexión a tierra

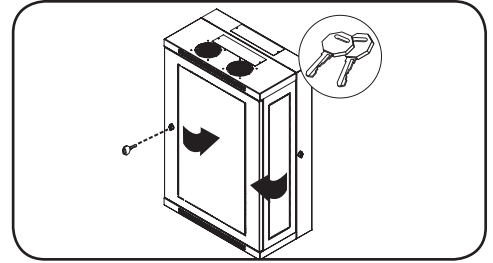
Todas las partes del rack se deben conectar a tierra al marco del rack. Conecte la conexión a tierra de la instalación en la ranura de conexión a tierra provista **A** utilizando un cable 8 AWG (3,264 mm). **Advertencia: Conecte cada rack a tierra por separado. No use el rack sin una conexión a tierra.**



5. Configuración del rack

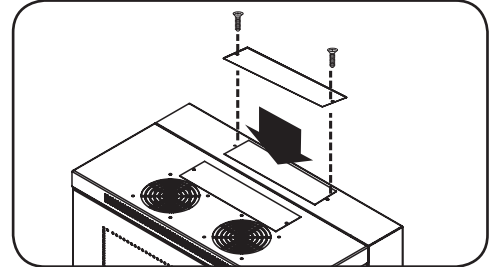
5.1 Cerraduras de las puertas

La puertas frontal y posterior tienen cerraduras que son accesibles con las llaves incluidas.



5.2 Acceso y administración de los cables

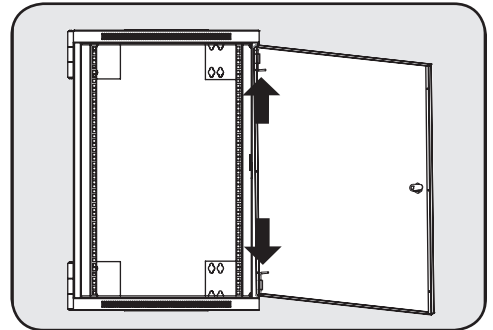
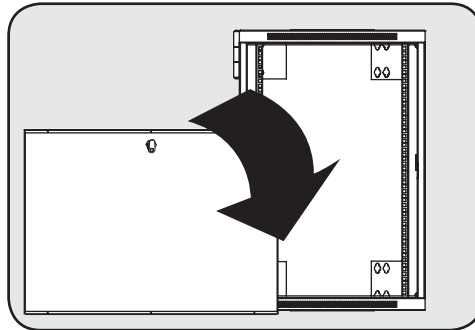
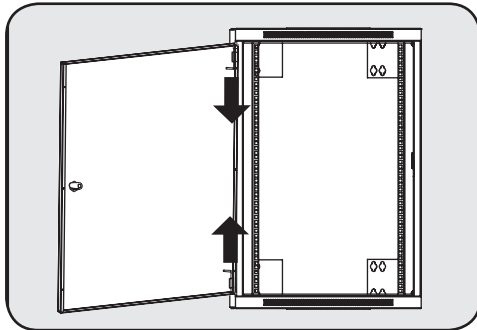
La puerta trasera del rack tiene una apertura cuadrada para el acceso y la administración de los cables. Puede encontrarse una apertura adicional en la parte superior del gabinete principal. Cada apertura también puede cerrarse atornillando los paneles de acceso a los cables removibles.



5.3 Inversión de la puerta frontal

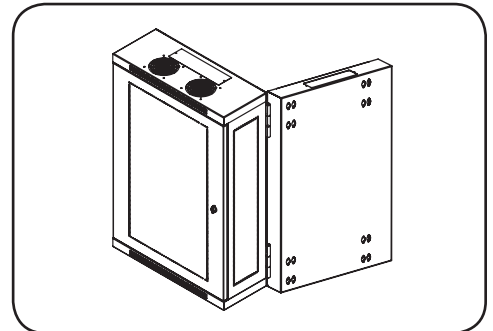
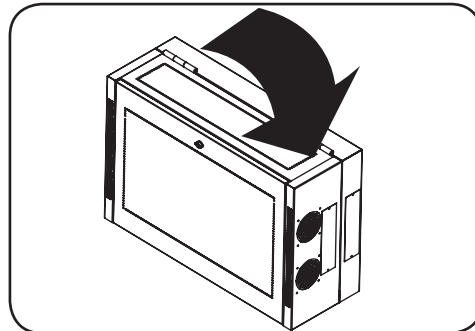
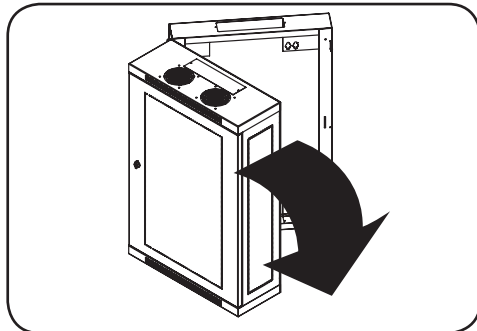
La puerta frontal del rack se articula en su posición en el marco del rack con dos clavijas a resorte. Para invertir la dirección de giro de la puerta, afloje las clavijas tirando hacia arriba (clavija inferior) o hacia abajo (clavija superior) y extráigalas de los orificios de montaje en el marco del rack.

Gire la puerta en la dirección opuesta y vuelva a colocar las clavijas en los mismos orificios de montaje del otro lado del marco del rack, alineándolas con los orificios de montaje y volviéndolas a colocar.



5.4 Inversión del rack

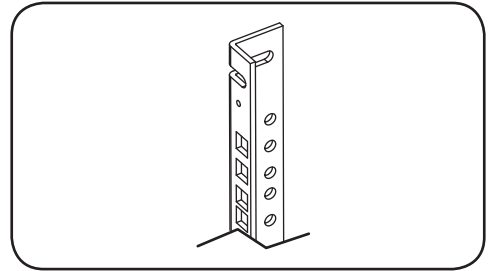
Para poder lograr distintas configuraciones del rack, éste puede invertirse para permitir que la puerta trasera gire en la otra dirección. Para hacerlo, sólo gire el rack y móntelo en esta posición (consulte la siguiente sección para ver el montaje).



5. Configuración del rack (continuación)

5.5 Rieles de montaje

El gabinete viene con rieles de instalación que tienen orificios cuadrados (posición predeterminada) y orificios roscados para equipo de instalación en rack. Para instalar los equipos, utilice las tuercas de jaula y las otras herramientas incluidas. (Consulte la página 15 para ver la instalación de las tuercas de jaula). **Advertencia: Asegúrese de que el rack quede montado firmemente a la pared, o en su posición final en el piso antes de montar cualquier equipo en el interior. Asegúrese también de realizar todos los ajustes adecuados de rieles antes de montar los equipos. (Consulte la sección siguiente para ver el Ajuste de la profundidad del riel de montaje).**

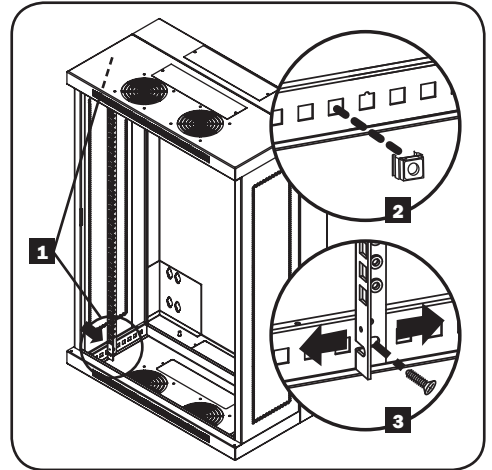


5.6 Ajuste de la profundidad del riel de montaje

Advertencia: No intente ajustar los rieles mientras los equipos están instalados en el rack. No intente utilizar rieles sin tornillos instalados. (2 por riel).

Los 2 rieles de instalación están preinstalados para acomodar equipo estándar. No ajuste los rieles de montaje a menos que los equipos requieran una profundidad de montaje distinta.

- 1 Cada riel está conectado al gabinete con 2 tornillos y 2 tuercas de fijación: 1 juego en la esquina superior y otro en la esquina inferior. Usando un desatornillador Phillips, retire los tornillos que sujetan los rieles al gabinete.
- 2 Mueva las tuercas de fijación a la profundidad deseada y reinstale.
- 3 Deslice los rieles de montaje hasta la profundidad deseada y vuelva a unirlos mediante los tornillos que extrajo anteriormente en el Paso 1.



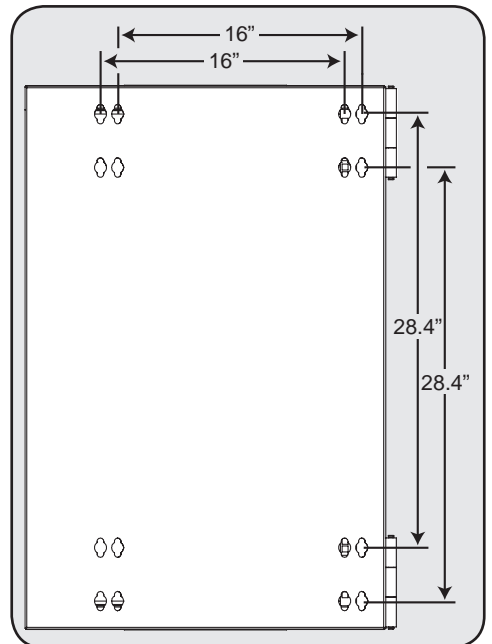
6. Montaje del rack a la pared

Advertencia: No intente montar el rack en la pared con equipos montados en el rack.

6.1 Montaje

Existen 16 ranuras para orificio de cerradura en la parte trasera del rack. Cada orificio de cerradura está adaptado para insertar un perno M5 o de 3/16". Los orificios están centrados 16" (40 cm) horizontalmente para lograr la colocación estándar de los montantes de pared. Los orificios están separados a 28.4" (72 cm) verticalmente, como se muestra en el diagrama.

Utilizando un nivel, mida la posición de las áreas de montaje en forma precisa. Utilice pasadores adecuados (no incluidos) para asegurar el rack a la pared. **Advertencia: Las herramientas que planea utilizar y el área en donde planea montar el rack deben poder soportar el peso del rack y de todos los equipos montados. Para ver el peso del rack y su capacidad, consulte las Especificaciones en la página 16.**



7. Instalación del equipo

Advertencia: No instale equipos hasta que haya estabilizado el rack. Instale primero los equipos más pesados en la parte inferior del rack. Instálelos de abajo hacia arriba, nunca en sentido contrario. Si usa rieles para equipos deslizantes, tenga cuidado al extender los rieles. No extienda más de un juego de rieles por vez. Evite extender rieles de equipos deslizantes cerca de la parte superior del rack.

Nota: La unidad viene con dos diferentes clases de tornillos para la instalación del equipo, negros y plateados. Use los tornillos de instalación negros si está sujetando su equipo al lado del orificio cuadrado del riel de instalación. Use los tornillos plateados si está sujetando su equipo al lado del orificio roscado del riel de instalación.

Nota: Los orificios cuadrados en el centro de cada unidad del rack están numerados y también incluyen una pequeña muesca para identificarlos. Una sola unidad de rack incluye el espacio ocupado por el orificio numerado y los orificios ubicados directamente encima y debajo.



7.1 Instalación o extracción de las tuercas de jaula

ADVERTENCIA: Las bridas de las tuercas en jaula deben engancharse en los lados de la abertura cuadrada del riel, no en la parte superior o inferior. Siga las instrucciones de la documentación de sus equipos para instalarlos correctamente.

1 Ubique las aberturas cuadradas numeradas en los rieles de montaje en donde planea instalar los equipos. Instalará tuercas en jaula (incluidas) en las aberturas cuadradas para obtener un punto de fijación para los tornillos de montaje (incluidos). *Nota:* Consulte la documentación de su equipo para determinar cuántas tuercas en jaula necesitará y dónde debe instalarlas.

2 Desde la parte interior del riel de montaje, inserte una de las bridas de la tuerca de jaula a través de la abertura cuadrada. Presiónela contra el lado de la abertura cuadrada. Cada brida debe engancharse en un lado de la abertura cuadrada, ni arriba ni abajo.

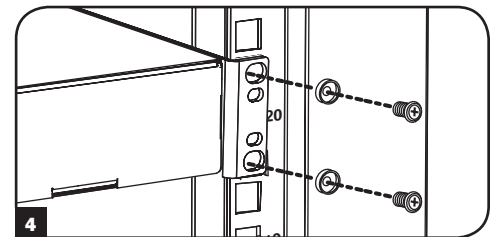
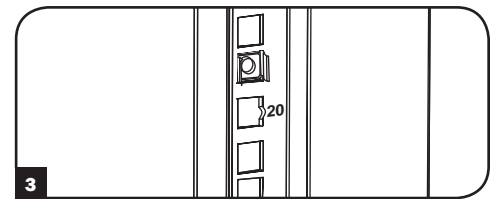
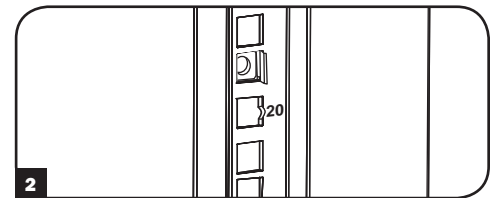
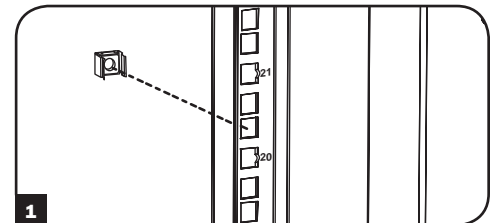
3 Apriete la tuerca de jaula por los costados suavemente, para permitir que la brida restante encaje a través de la abertura cuadrada. Cuando la tuerca de jaula esté instalada adecuadamente, ambas bridas asomarán a través de la abertura cuadrada y podrán verse desde la superficie exterior del riel de montaje. Repita los pasos 1 a 3 hasta que todas las tuercas en jaula estén instaladas.

4 Después de instalar las tuercas de fijación, use los tornillos de instalación negros incluidos y arandelas de seguridad para fijar su equipo al riel del rack. Coloque las arandelas entre los tornillos y los soportes de montaje del equipo.

Nota: Su equipo también puede incluir herramientas de montaje. Lea las instrucciones de montaje de su equipo antes de instalarlo.

Para extraer las tuercas en jaula, siga los pasos 1 a 3 en sentido inverso

Nota: Puede usar una herramienta para tuercas en jaula (suministrada por el usuario) para ayudarse en la instalación y extracción.



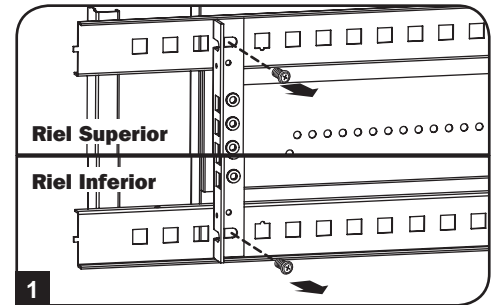
7. Instalación del equipo (continuación)

7.2 Instalación Alternativa: Riel de Instalación con Orificio Roscado

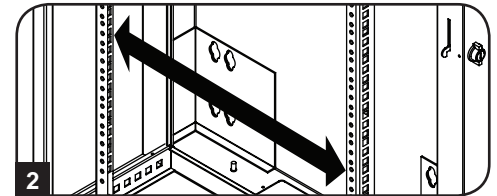
Advertencia: No intente ajustar los rieles mientras el equipo está instalado en el gabinete. No intente usar rieles sin los tornillos instalados. (2 por riel.)

Los 2 rieles de instalación están preinstalados para asegurar el equipo usando el lado de los orificios cuadrados del riel de instalación. Para cambiar al lado de los orificios roscados del riel de instalación, siga los pasos indicados a continuación:

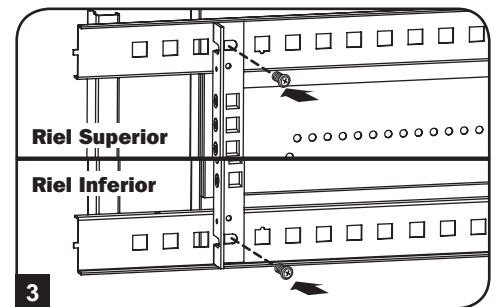
- 1 Cada riel está conectado al gabinete con 2 tornillos: 1 en la esquina superior y otro en la esquina inferior. Usando un desatornillador Phillips, retire los tornillos que sujetan los rieles al gabinete.



- 2 Cambie las ubicaciones del riel. Cerciñese que el lado del orificio roscado vea hacia la puerta delantera.

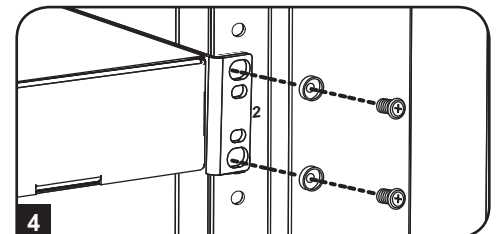


- 3 Reinstale los rieles de instalación.



- 4 Use los tornillos plateados de instalación para asegurar su equipo al riel del rack. Coloque las arandelas de seguridad entre los tornillos y las ménsulas de instalación del equipo.

Nota: Su equipo puede incluir también accesorios para instalación. Lea las instrucciones de instalación que vienen con su equipo antes de instalarlo.



8. Especificaciones

Modelo	SRW18US13
Dimensiones (A x A x P)	35.6" (905 mm) x 23.6" (600 mm) x 13" (330.2 mm)
Peso de la unidad	83.8 lb (38 kg)
Capacidad de carga*	250 lb (113 kg) estacionaria

* La capacidad de carga total para montar en pared requiere una superficie de montaje capaz de soportar toda la carga. Las aplicaciones rodantes requieren el kit de accesorios SRCASTER opcional.

9. Almacenamiento y servicio

Almacenamiento

El rack debe almacenarse en un ambiente interior controlado, lejos de la humedad, temperaturas extremas, líquidos y gases inflamables, contaminantes conductores, polvo y luz solar directa. Si es posible, almacénelo en su contenedor de envío original.

Mantenimiento

Su producto Tripp Lite está cubierto por la garantía descrita en este manual. Tripp Lite también pone a su disposición una variedad de Garantías extendidas y Programas de servicio técnico en el sitio. Si desea más información sobre el servicio técnico, visite www.tripplite.com/support. Antes de devolver su producto para servicio técnico, siga estos pasos:

1. Revise la instalación y los procedimientos de operación que se encuentran en este manual para asegurarse de que el problema de servicio no se debe a una mala lectura de las instrucciones.
2. Si el problema persiste, no se comunique ni devuelva el producto al mayorista. En cambio, visite www.tripplite.com/support.
3. Si el problema exige servicio técnico, visite www.tripplite.com/support y haga clic en el enlace Devoluciones de productos. Desde aquí puede solicitar un número de Autorización de Material Devuelto (RMA), que se necesita para el servicio técnico. En este sencillo formulario en línea se le solicitarán los números de serie y modelo de la unidad, junto con otra información general del comprador. El número RMA y las instrucciones para el envío se le enviarán por correo electrónico. La presente garantía no cubre ningún daño (directo, indirecto, especial o consecuencial) del producto que ocurra durante el envío a Tripp Lite o a un centro de servicio técnico de Tripp Lite autorizado. Los productos enviados a Tripp Lite o a un centro de servicio técnico de Tripp Lite autorizado deben tener prepagos los cargos de transporte. Escriba el número RMA en el exterior del embalaje. Si el producto se encuentra dentro del período de garantía, adjunte una copia de su recibo de venta. Envíe el producto para servicio técnico mediante un transportador asegurado a la dirección que se le proporcionó cuando solicitó el número RMA.

10. Garantía

Garantía limitada por 5 años

El vendedor garantiza que este producto no tiene defectos originales de materiales ni de mano de obra por un período de cinco años a partir de la fecha original de compra, si se utiliza de acuerdo con todas las instrucciones correspondientes. En caso de demostrarse dentro de ese período que el producto tiene defectos de materiales o de mano de obra, el vendedor lo reparará o reemplazará a su exclusiva discreción.

ESTA GARANTÍA NO CUBRE EL DESGASTE NORMAL NI LOS DAÑOS CAUSADOS POR ACCIDENTES, MAL USO, ABUSO O NEGLIGENCIA. EL VENDEDOR NO OFRECE NINGUNA GARANTÍA EXPRESA QUE NO SEA LA ESTABLECIDA EXPRESAMENTE EN EL PRESENTE DOCUMENTO. EXCEPTO EN LA MEDIDA EN QUE LO PROHÍBAN LAS LEYES APLICABLES, LA DURACIÓN DE TODAS LAS GARANTÍAS IMPLÍCITAS, INCLUIDAS LAS DE COMERCIABILIDAD O APTITUD, SE LIMITA AL PERÍODO DE GARANTÍA ANTES MENCIONADO Y ESTA GARANTÍA EXCLUYE EXPRESAMENTE TODOS LOS DAÑOS INCIDENTALES E INDIRECTOS. (Algunos Estados no permiten las limitaciones a la duración de una garantía implícita y otros Estados no permiten la exclusión o limitación de los daños incidentales o indirectos, de modo que las limitaciones o exclusiones antes mencionadas pueden no corresponder en su caso. Esta garantía le otorga derechos legales específicos y usted puede tener otros derechos que varían de una jurisdicción a otra).

ADVERTENCIA: Antes de usar este dispositivo, cada usuario debe ocuparse de determinar si es apto, adecuado o seguro para el uso que pretende darle. Dado que las aplicaciones individuales están sujetas a diversas variaciones, el fabricante no representa ni garantiza la idoneidad o condición de estos dispositivos para cualquier aplicación específica.

Tripp Lite tiene la política de mejora continua. Las especificaciones están sujetas a cambios sin notificación previa.



1111 W. 35th Street, Chicago, IL 60609 USA
www.tripplite.com/support

Copyright © 2012 Tripp Lite. Todas las otras marcas registradas son propiedad de sus respectivos dueños.

Manuel de l'utilisateur

Enceinte SmartRack™ 18U fixée au mur

Modèle : SRW18US13

Table des matières

1. Importantes consignes de sécurité	18	6. Fixation au mur du coffret	21
2. Vue d'ensemble	18	6.1 Fixation	21
3. Identification des fonctionnalités	18	7. Installation de l'équipement	22
4. Installation du coffret	19	7.1 Installation ou retrait des écrous à cage	22
4.1 Préparation	19	7.2 Autre possibilité de montage : rail de fixation avec trous taraudé	23
4.2 Déballage	19	8. Fiche technique	24
4.3 Connexion de terre	19	9. Entreposage et service	24
5. Configuration du coffret	20	10. Garantie	24
5.1 Serrures de la porte	20	English	1
5.2 Accès aux câbles et gestion	20	Español	9
5.3 Inversement de la porte avant	20		
5.4 Inversement du coffret	20		
5.5 Rails de montage	21		
5.6 Ajustement de la profondeur des rails de montage	21		



1111 W. 35th Street, Chicago, IL 60609 USA
www.tripplite.com/support

Copyright (c) 2012 Tripp Lite. Toutes les marques de commerce sont la propriété exclusive de leur propriétaire respectif.

1. Importantes consignes de sécurité



CONSERVER LES PRÉSENTES CONSIGNES

Le présent manuel comprend les consignes et les avertissements qui doivent être suivis durant l'utilisation et le fonctionnement du produit qui y est décrit. Le défaut de s'y conformer pourra invalider la garantie et provoquer des dommages à la propriété ou des blessures personnelles.

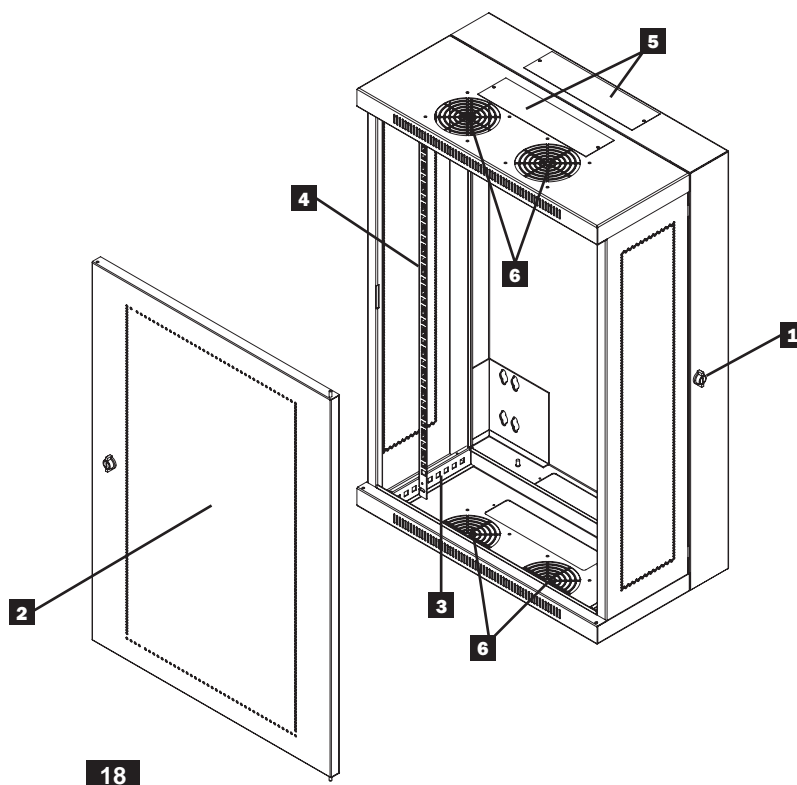
- Conserver le coffret dans un environnement intérieur contrôlé, protégé de l'humidité, des températures extrêmes, des liquides et des gaz inflammables, des contaminants conducteurs, de la poussière et des rayons directs du soleil.
- Laisser un espace adéquat à l'avant et à l'arrière du coffret pour une ventilation adéquate. Ne pas obstruer, couvrir les orifices extérieurs de ventilation du coffret ou y insérer des objets.
- Le coffret est extrêmement lourd. Faire preuve de prudence au moment de la manutention du coffret. Ne pas essayer de le débarrer, de le déplacer ou de l'installer sans aide. Utiliser un dispositif mécanique comme un chariot élévateur ou un transpalette pour retirer le coffret de l'emballage d'expédition.
- Ne poser aucun objet sur le coffret, plus particulièrement les récipients contenant des liquides et ne pas empiler les coffrets.
- Inspecter l'emballage d'expédition et le coffret pour les dommages survenus au cours de l'expédition. Ne pas utiliser le coffret s'il est endommagé.
- Laisser le coffret dans l'emballage d'expédition jusqu'à ce qu'il soit déplacé le plus près possible de son emplacement final.
- Installer le coffret dans une aire solidement construite, en mesure de supporter la charge ou sur un plancher de niveau qui peut supporter le poids du coffret, tout l'équipement qui sera installé dans le coffret et tout autre coffret et/ou équipement qui sera installé à proximité.
- Faire preuve de prudence au moment de couper le matériel d'emballage. Le coffret pourrait être égratigné, provoquant ainsi des dommages qui ne seraient pas couverts par la garantie.
- Conserver tout le matériel d'emballage pour un usage ultérieur. Le remballage et la réexpédition du coffret sans le matériel original d'emballage pourront provoquer des dommages au produit qui invalidera la garantie.
- Ne pas réexpédier le coffret avec un équipement supplémentaire, à moins que le coffret soit expédié sur une palette résistante aux chocs (modèle SP-1 uniquement). Le poids combiné du coffret et de l'équipement installé ne doit pas excéder la capacité maximale de la palette. Tripp Lite n'assume aucune responsabilité des dommages survenus durant l'expédition.
- L'utilisation du présent appareil dans les applications de maintien des fonctions vitales où la défaillance de cet équipement peut raisonnablement causer la défaillance de l'équipement de maintien de la vie ou affecter sa sûreté ou son efficacité n'est pas recommandée. Ne pas utiliser le présent équipement en présence d'un mélange anesthésique inflammable et d'air, d'oxygène ou de protoxyde d'azote.

2. Vue d'ensemble

Les coffrets SmartRack peuvent recevoir tout équipement standard monté sur bâti de 48 cm (19 po) peu importe le fabricant, et ils sont expédiés déjà assemblés pour un déploiement rapide et facile.

3. Identification des fonctionnalités

- 1 Porte arrière de verrouillage
- 2 Porte avant réversible de verrouillage
- 3 Rails horizontaux
- 4 Rails de montage verticaux
- 5 Couvertures amovibles des trous d'accès aux câbles
- 6 Événements



4. Installation du coffret



Mise en garde! Lire tous les consignes et les avertissements avant de commencer l'installation!



Avertissement : les coffrets utilisés comme bâti peuvent être extrêmement lourds. Ne pas essayer de déballer, de déplacer ou d'installer le coffret sans aide. Faire preuve d'une extrême prudence au moment de la manipulation du coffret et suivre toutes les consignes de manipulation et d'installation. Ne pas essayer d'y installer de l'équipement sans avoir tout d'abord stabilisé le coffret.

4.1 Préparation

Le coffret doit être installé dans une aire solidement construite, en mesure de supporter le poids du coffret, de tout l'équipement qui sera installé dans le coffret et de tout autre coffret et/ou équipement qui sera installé à proximité. Avant de déballer le coffret, vous devriez déplacer celui-ci dans son emballage d'expédition le plus près possible de l'emplacement final afin de minimiser la distance à laquelle vous aurez à déplacer l'appareil une fois que l'emballage aura été retiré. Si vous prévoyez entreposer le coffret pour une période de temps prolongée avant l'installation, suivre les consignes décrites au Chapitre **Entreposage et service**.

Vous aurez besoin de plusieurs outils :

- un niveau
- un tournevis à pointe cruciforme (Phillips)
- des outils appropriés pour la fixation au mur

Vous aurez également besoin de la quincaillerie suivante :

- la quincaillerie pour la fixation au mur (non comprise).

Note : la quincaillerie utilisée pour la fixation du coffret doit être en mesure de supporter le poids du coffret et de tout l'équipement qui y est installé. Pour le poids du coffret et de sa capacité, voir les spécifications à la Page 24.

4.2 Déballage



Au moins deux personnes sont requises pour déballer le coffret.



- 1 Déplacer la palette d'expédition vers une surface solide de niveau.
- 2 Ouvrir le carton, puis retirer les cornières de protection. Conserver tout le matériel d'emballage à moins d'être certain qu'il ne sera pas requis ultérieurement. Le matériel d'emballage est recyclable.
- 3 Avec une personne de chaque côté, retirer soigneusement le coffret de sa boîte, puis le poser sur une surface solide de niveau.
- 4 Examiner le coffret pour tout dommage ou pièces détachées. S'assurer que toutes les pièces sont présentes. Si une pièce est manquante ou endommagée, veuillez communiquer avec Tripp Lite pour obtenir de l'aide. Ne pas utiliser le coffret s'il est endommagé.



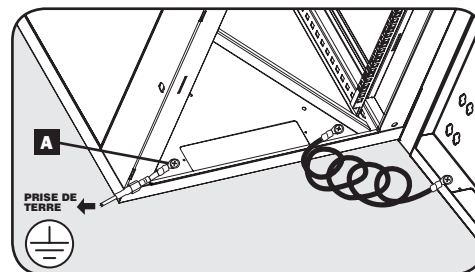
Avertissement : ne jamais essayer de soulever ou d'installer le coffret sans aide. Ne pas essayer de soulever seul le coffret.



4.3 Connexion de terre

Toutes les pièces du coffret sont mises à la terre au châssis du coffret. Connecter la prise de terre de votre installation au goujon de mise à la terre **A** à l'aide d'un fil de calibre 8 AWG (3,264 mm).

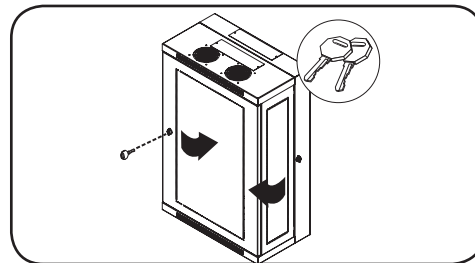
Avertissement : brancher chaque coffret à une mise à la terre séparée. Ne pas utiliser le coffret sans connexion de mise à la terre.



5. Configuration du coffret

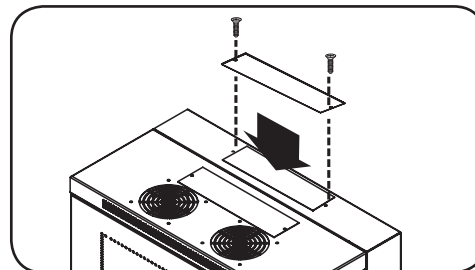
5.1 Serrures des portes

Les portes avant et arrière sont équipées de serrures pouvant être barrées et débarrées au moyen des clés incluses.



5.2 Accès aux câbles et gestion

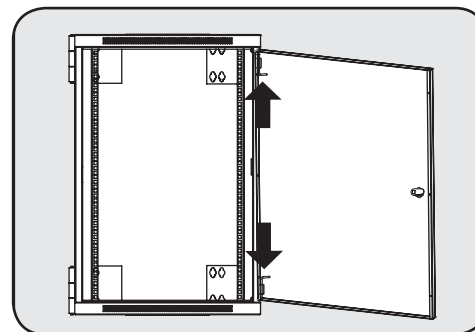
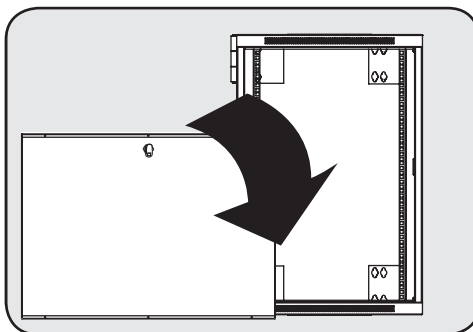
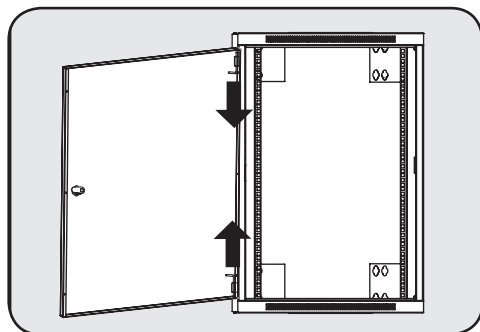
La porte arrière du coffret comporte une ouverture carrée qui donne accès aux câbles et à leur gestion. Une ouverture supplémentaire existe aussi le dessus du coffret. Chaque ouverture peut être également fermée en y vissant les couvercles d'accès aux câbles.



5.3 Inversement de la porte avant

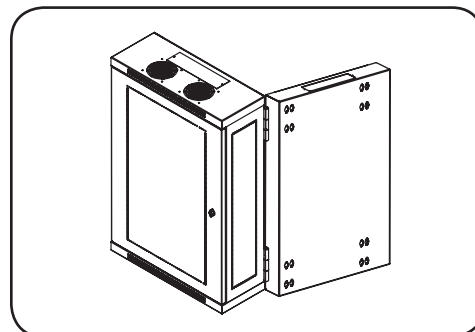
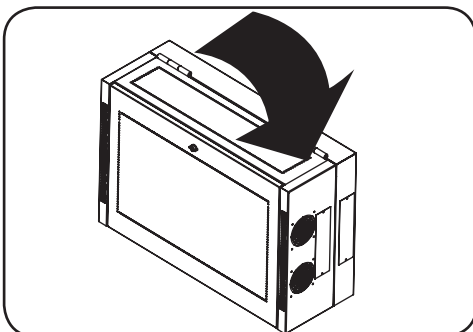
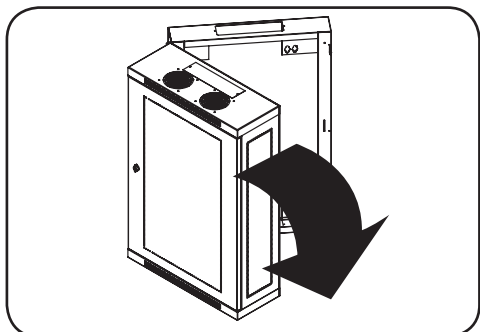
La porte avant du coffret est articulée en position sur le châssis du coffret, à l'aide de deux linguets à ressort. Pour inverser le basculement de la porte, dégager simplement les linguets en levant le linguet inférieur ou en abaissant le linguet supérieur et en les retirant des trous de fixation situés sur le châssis du coffret.

Basculer la porte à la position opposée, puis remettre les linguets dans les trous de fixation identiques de l'autre côté du châssis du coffret en les alignant avec les trous de fixation et en les engageant de nouveau.



5.4 Inversement du coffret

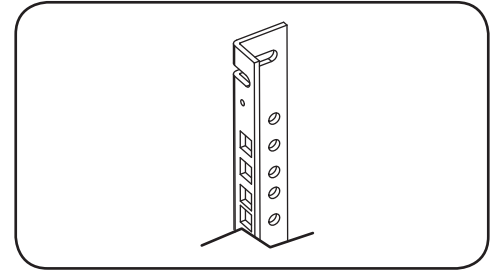
Afin d'accommoder diverses configurations de bâti, le coffret peut être inversé afin de permettre à la porte arrière de balancer dans l'autre direction. Pour ce faire, retourner simplement le coffret, puis le fixer dans cette position (voir le chapitre suivant pour le montage).



5. Configuration du coffret (suite)

5.5 Rails de montage

Le boîtier est fourni avec des rails de montage qui sont pourvus de trous carrés (position par défaut) et de trous taraudés pour l'équipement du support de montage. Pour installer l'équipement, utiliser les écrous à cage et autre quincaillerie inclus. (Voir la page 23 pour l'installation des écrous à cage.) **Avertissement : s'assurer que le coffret est fixé solidement au mur ou à sa position finale sur le plancher avant le montage de l'équipement à l'intérieur. S'assurer également d'avoir les bons ajustements sur les rails avant le montage de l'équipement. (Voir ci-dessous pour l'ajustement de la profondeur des rails.)**

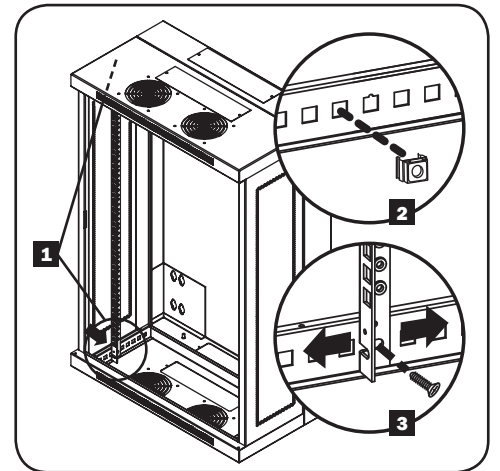


5.6 Ajustement de la profondeur des rails de montage

Avertissement : ne pas essayer d'ajuster les rails lorsque que l'équipement est monté dans le coffret. Ne pas essayer d'utiliser les rails sans que les vis soient en place. (2 vis par rail.)

Les 2 rails de montage sont préinstallés pour accueillir de l'équipement standard. N'ajustez pas les rails de montage, sauf si votre matériel nécessite une profondeur de montage différente.

- 1 Chaque rail est connecté au boîtier au moyen de 2 vis et de 2 écrous à cage : 1 ensemble dans le coin supérieur et un autre dans le coin inférieur. À l'aide d'un tournevis Phillips, enlever les vis qui retiennent les rails au boîtier.
- 2 Déplacer les écrous à cage à la profondeur désirée et réinstaller.
- 3 Glisser les rails de montage à la profondeur désirée, puis les fixer de nouveau à l'aide des vis que vous avez retirées à l'Étape 1.



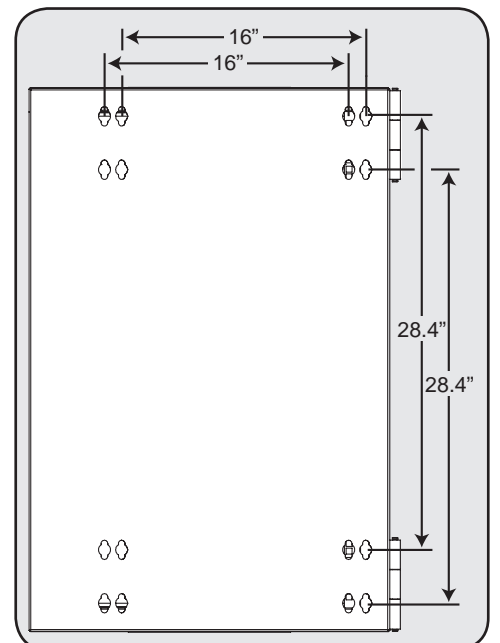
6. Fixation au mur du coffret

Avertissement : ne pas essayer de fixer le coffret au mur alors que l'équipement est déjà monté dans le coffret.

6.1 Fixation

Il existe 16 entailles en trou de serrure sur la porte arrière du coffret. Chaque entaille en trou de serrure peut recevoir un boulon M-5 ou de 411 mm (3/16 po). Les trous sont centrés et sont espacés horizontalement de 406 mm (16 po) pour convenir à l'emplacement standard de 406 mm (16 po) des montants muraux. Les trous sont aussi espacés verticalement de 721 mm (28.4 po), tel qu'indiqué sur le schéma.

À l'aide d'un niveau, mesurer pour positionner les aires de fixation de façon précise. Utiliser les fixations appropriées (non comprises) pour fixer solidement le coffret au mur. **Avertissement : la quincaillerie que vous souhaitez utiliser et l'aire sur laquelle vous souhaitez installer le coffret doivent être en mesure de supporter le poids du coffret et de tout l'équipement qui y est installé. Pour le poids du coffret et sa capacité, voir la Fiche technique à la page 24.**

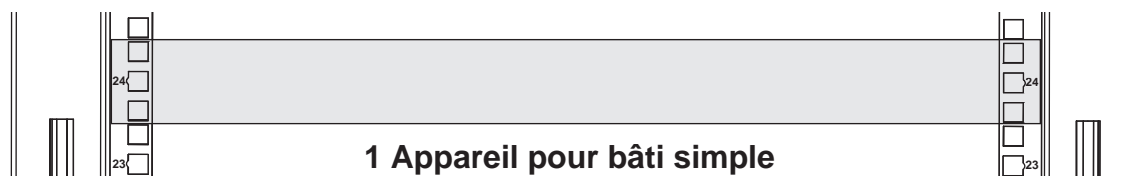


7. Installation de l'équipement

Avertissement : ne pas installer l'équipement avant que le coffret soit bien stabilisé. Installer l'équipement le plus lourd en premier, vers le bas du coffret. Installer l'équipement en commençant par le bas du coffret et en allant vers le haut - jamais à l'inverse. Si vous utilisez les rails glissières pour l'équipement, faites preuve de prudence lors de l'extension des rails. Ne sortir qu'un seul ensemble de rails glissières à la fois. Éviter de sortir les rails glissières de l'équipement se trouvant au haut du coffret.

Remarque : L'appareil est fourni avec deux sortes de vis différentes pour l'installation de l'équipement : des vis noires et des vis couleur argent. Utiliser les vis de montage noires pour fixer l'équipement au côté du rail de montage comportant des trous carrés. Utiliser les vis de montage de couleur argent pour fixer l'équipement au côté du rail de montage comportant des trous taraudés.

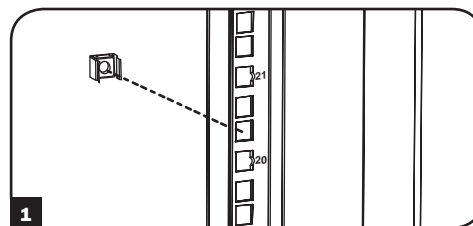
Remarques : les trous carrés au centre de chaque montant du bâti sont numérotés et comprennent une petite entaille pour faciliter l'identification. Un appareil simple pour bâti comprend l'espace occupé par le trou numéroté et les trous directement au-dessus et au-dessous.



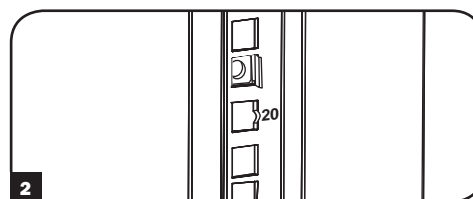
7.1 Installation ou retrait des écrous à cage

AVERTISSEMENT : les brides des écrous à cage devraient s'engager sur les côtés de l'ouverture carrée du rail, non le haut et le bas. Suivre les consignes de la documentation de l'équipement pour s'assurer d'une installation appropriée de votre équipement.

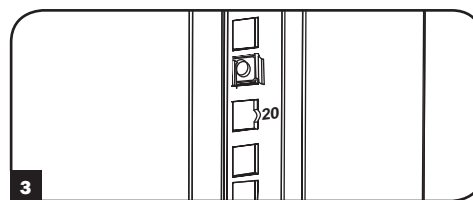
1 Localiser les ouvertures carrées numérotées dans les rails de montage sur lesquels vous prévoyez installer l'équipement. Vous installerez les écrous à cage (compris) dans les ouvertures carrées, de manière à prévoir un point de fixation pour les vis de fixation (comprises). *Remarque :* consulter la documentation relative à l'équipement pour déterminer le nombre d'écrous à cage qui seront requis et l'emplacement de leur installation.



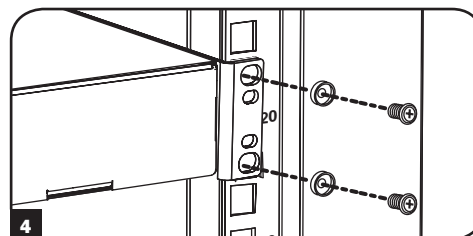
2 À partir de l'intérieur du rail de montage, insérer l'une des brides des écrous à cage dans l'ouverture carrée. Appuyer sur le côté de l'ouverture carrée. Chaque bride devrait s'engager dans l'un des côtés de l'ouverture carrée, non sur le haut ou le bas.



3 Comprimer légèrement l'écrou à cage sur les côtés afin de permettre à l'autre bride de s'insérer dans l'ouverture carrée. Lorsque l'écrou à cage est correctement installé, les deux brides dépasseront de l'ouverture carrée et seront visibles sur la surface extérieure du rail de montage. Répéter les étapes 1-3 jusqu'à ce que tous les écrous à cage requis soient installés.



4 Après avoir posé les écrous à cage requis, utiliser les vis de montage noires incluses et les rondelles à collerette pour fixer l'équipement au rail du support. Poser les rondelles à collerette entre les vis et les supports de montage de l'équipement.



Remarque : votre équipement pourrait également inclure la quincaillerie de fixation. Lire les consignes de fixation fournies avec l'équipement avant l'installation de l'équipement.

Pour retirer les écrous à cage, inverser les étapes 1-3

Remarque : vous pourrez utiliser un outil pour écrou à cage (prévu par l'utilisateur) pour faciliter l'installation et le retrait des écrous à cage.

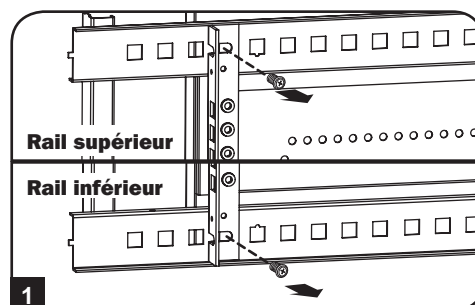
7. Installation de l'équipement (suite)

7.2 Autre possibilité de montage : rail de fixation avec trou taraudé

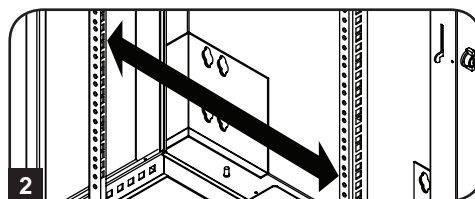
Avertissement : Ne tentez pas d'ajuster les rails durant la pose de l'équipement dans le support. Ne tentez pas d'utiliser les rails sans que les vis soient installées (2 par rail).

Les 2 rails de montage sont pré-installés pour retenir l'équipement au moyen du côté du rail de montage pourvu de trous carrés. Pour passer au côté du rail de montage pourvu de trous taraudés, veuillez suivre les étapes suivantes :

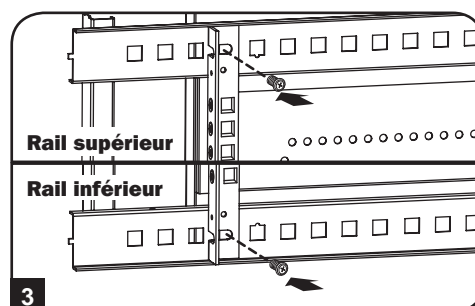
- 1 Chaque rail est connecté au boîtier au moyen de 2 vis : 1 dans le coin supérieur et l'autre dans le coin inférieur. Au moyen d'un tournevis Phillips, retirer les vis qui retiennent les rails au boîtier.



- 2 Changer l'emplacement des rails. S'assurer que le côté de chaque rail avec des trous taraudés est tourné vers la porte avant.

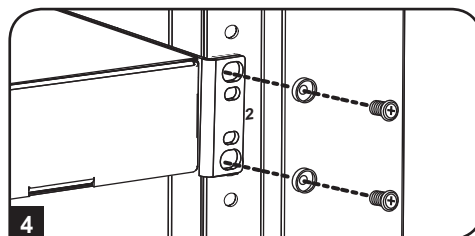


- 3 Remettre les rails de montage en place.



- 4 Utiliser les vis de montage couleur argent pour retenir l'équipement au rail du support. Placez les rondelles à collerettes entre les vis et les supports de montage de l'équipement.

Remarque : L'équipement peut également inclure des pièces de montage. Lire les instructions de montage fournies avec l'équipement avant d'installer l'équipement.



8. Fiche technique

No de modèle	SRW18US13
Dimensions (H x L x P)	905 x 600 x 330.2 mm (35,6 x 23,6 x 13 po)
Poids du coffret	38 kg (83.8 lb)
Capacité de charge*	113 kg (250 lb) stationnaire

* La pleine capacité de charge au mur exige une surface de fixation en mesure de supporter la pleine charge. Les applications sur roulettes exigent l'ensemble en option SRCASTER

9. Entreposage et service

Entreposage

Le coffret devrait être entreposé dans un environnement intérieur contrôlé, éloigné de l'humidité, des températures extrêmes, des liquides et des gaz inflammables, des contaminants conducteurs, de la poussière et des rayons directs du soleil. Si possible, entreposer l'appareil dans son emballage d'expédition d'origine.

Service

Votre produit Tripp Lite est couvert par la garantie décrite dans ce manuel. Une variété de garantie prolongées et de programmes de service sur place sont également disponibles chez Tripp Lite. Pour plus de renseignements sur le service, visitez www.tripplite.com/support. Avant de retourner votre produit pour entretien ou réparation, suivez les étapes suivantes :

1. Relisez les directives d'installation et de fonctionnement de ce manuel afin de vous assurer que le problème n'a pas pour origine une mauvaise lecture des directives.
2. Si le problème persiste, ne pas communiquer ou renvoyer le produit au vendeur. À la place, visitez www.tripplite.com/support.
3. Si le problème nécessite une réparation, visitez www.tripplite.com/support et cliquez sur le lien Product Returns (retour du produit). De cet endroit, vous pouvez demander un numéro d'autorisation de retour de matériel (RMA) qui est exigé pour une réparation. Ce formulaire en ligne simple vous demandera le numéro de modèle et le numéro de série de votre unité ainsi que d'autres renseignements généraux concernant l'acheteur. Le numéro RMA, ainsi que les instructions concernant le transport vous seront acheminées par courriel. Tout dommage (direct, indirect, spécial ou fortuit) survenu au produit pendant le transport à Tripp Lite ou à un centre de service autorisé Tripp Lite est exclu de la garanti. Les produits expédiés à Tripp Lite ou à un centre de service autorisé doivent être prépayés. Inscrire le numéro RMA sur le paquet. Si le produit est encore couvert par la garantie de deux ans, joindre une copie de votre facture d'achat. Retourner le produit pour réparation par un transporteur assuré à l'adresse qui vous a été donnée lorsque vous avez demandé le RMA.

10. Garantie

Garantie limitée de 5 ANS

Le vendeur garantit que le présent produit, s'il est utilisé en conformité avec les consignes en vigueur, sera exempt de toute défectuosité de matériaux et de fabrication pendant une période de 5 ans débutant à la date d'achat initiale. Si le produit devait s'avérer défectueux au point de vue matériaux ou fabrication au cours de cette période, le vendeur réparera ou remplacera le produit à sa discrétion exclusive.

LA PRÉSENTE GARANTIE NE S'APPLIQUE PAS À L'USURE NORMALE OU À UN DOMMAGE DÉCOULANT D'UN ACCIDENT, D'UNE MAUVAISE UTILISATION, D'UN ABUS OU D'UNE NÉGLIGENCE. LE VENDEUR N'OFFRE AUCUNE GARANTIE EXPRESSE AUTRE QUE LA GARANTIE EXPRESSE SUSMENTIONNÉE. SAUF SI LA LOI EN VIGUEUR L'INTERDIT, TOUTES LES GARANTIES IMPLICITES, Y COMPRIS TOUTES LES GARANTIES DE QUALITÉ MARCHANDE OU D'ADÉQUATION, SONT LIMITÉES À LA DURÉE DE LA PÉRIODE DE GARANTIE SUSMENTIONNÉE; ET LA PRÉSENTE GARANTIE EXCLUT EXPRESSÉMENT TOUS LES DOMMAGES ACCESSOIRES ET INDIRECTS. (Certains États ou provinces ne permettent aucune limitation quant à la durée de la garantie et certains États ou provinces ne permettent aucune exclusion ou restriction quant aux dommages accessoires ou indirects; ainsi, les restrictions ou les exclusions susmentionnées peuvent ne pas s'appliquer à vous. La présente Garantie vous confère certains droits juridiques et vous pouvez avoir d'autres droits qui peuvent varier d'une juridiction à une autre.)

AVERTISSEMENT : l'utilisateur lui-même devrait s'assurer que ce dispositif est adapté, adéquat ou sécuritaire pour l'usage prévu. Étant donné que les applications particulières sont sujettes à une variation importante, le fabricant ne fait aucune représentation ou n'offre aucune garantie quant au caractère approprié ou à l'aptitude à l'emploi de ces dispositifs pour quelque application donnée.

Tripp Lite a une politique d'amélioration continue. La fiche technique est sujette à modification sans préavis.



1111 W. 35th Street, Chicago, IL 60609 USA
www.tripplite.com/support

Copyright (c) 2012 Tripp Lite. Toutes les marques de commerce sont la propriété exclusive de leur propriétaire respectif.