

Technical Manual



JBL C67P/T-WH

SPECIFICATIONS

ACOUSTIC & ELECTRICAL SPECIFICATIONS:

- Rated Impedance: 8 Ohms
- Power Capacity: 150 Watts Continuous Program Power
75 Watts Continuous Pink Noise (with 300W peaks)
- Frequency Response: 58 Hz - 18 kHz (-10 dB)
- Frequency Range: 78 Hz - 20 kHz (±3 dB)
- Rated Maximum SPL: 109 dB continuous pink noise, 115 dB peak @ 1 meter
- Nominal Sensitivity: 90 dB
- Crossover Frequency: 1.7 kHz

SYSTEM COMPONENTS:

- Cabinet: Enclosure (Not for Sale)
- Grille: 445000-001, 445000-002 (WH)
- Low Frequency Driver: 165 mm (6.5 in) polypropylene-coated paper with pure butyl rubber surround, 25 mm (1 in) copper voice coil, vented fiberglass resin voice coil-former
- DC Resistance: 6 ohm ± 10%
- High Frequency Driver: 25 mm (1 in) textile soft dome, neodymium magnet assembly, ferro fluid cooling, aluminum voice coil-former

SYSTEM COMPONENTS: (CONT'D)

- DC Resistance: 4.8 ohms ± 10%
- Crossover Network Assembly: 445019-001

AURAL SWEEP TEST SPECIFICATIONS:

- A. System Aural Sweep Test: 5V Input, 60 Hz - 20 kHz
- B. L.F. Aural Sweep Test: 8V Input, 60 Hz - 2000 Hz
- C. HF Aural Sweep Test: 3V Input, 500 Hz - 20 kHz

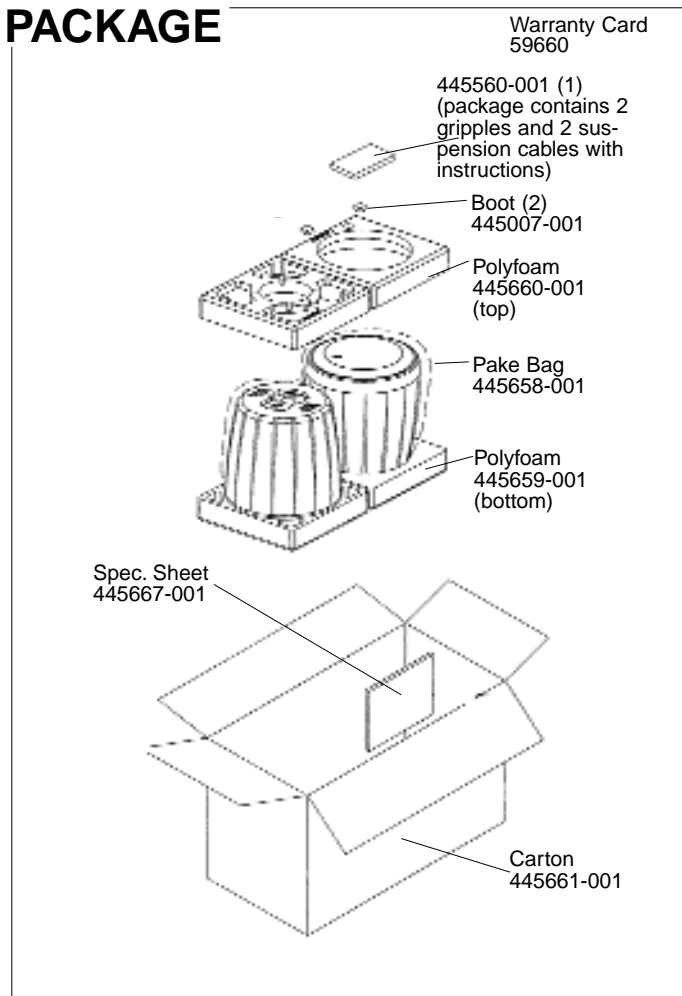
PHYSICAL SPECIFICATIONS:

- Enclosure Dimensions: 312 mm (12.3) diameter x 330 mm (13.0 in) height to top of cabinet, 350 mm (13.8 in) to top of suspension bracket
- Net Weight: 11.5 lb (5.2 kg)

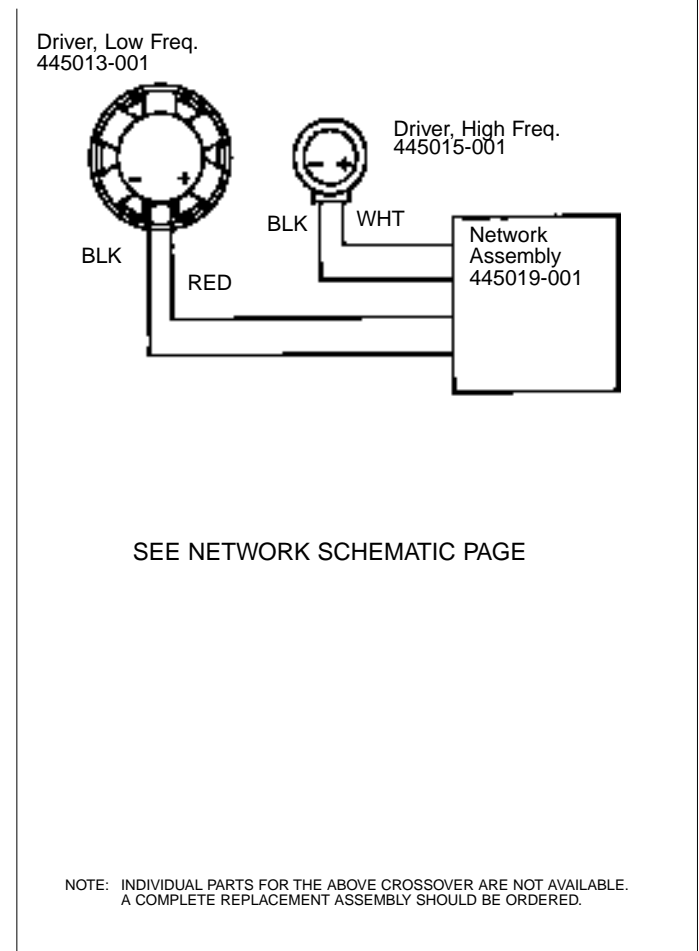
WARRANTY INFORMATION:

- Refer to Warranty Statement packed with each product.
- Transformer Taps: 70V: 60W, 30W,15W, & 7.5W
100V: 60W, 30W,15W

PACKAGE

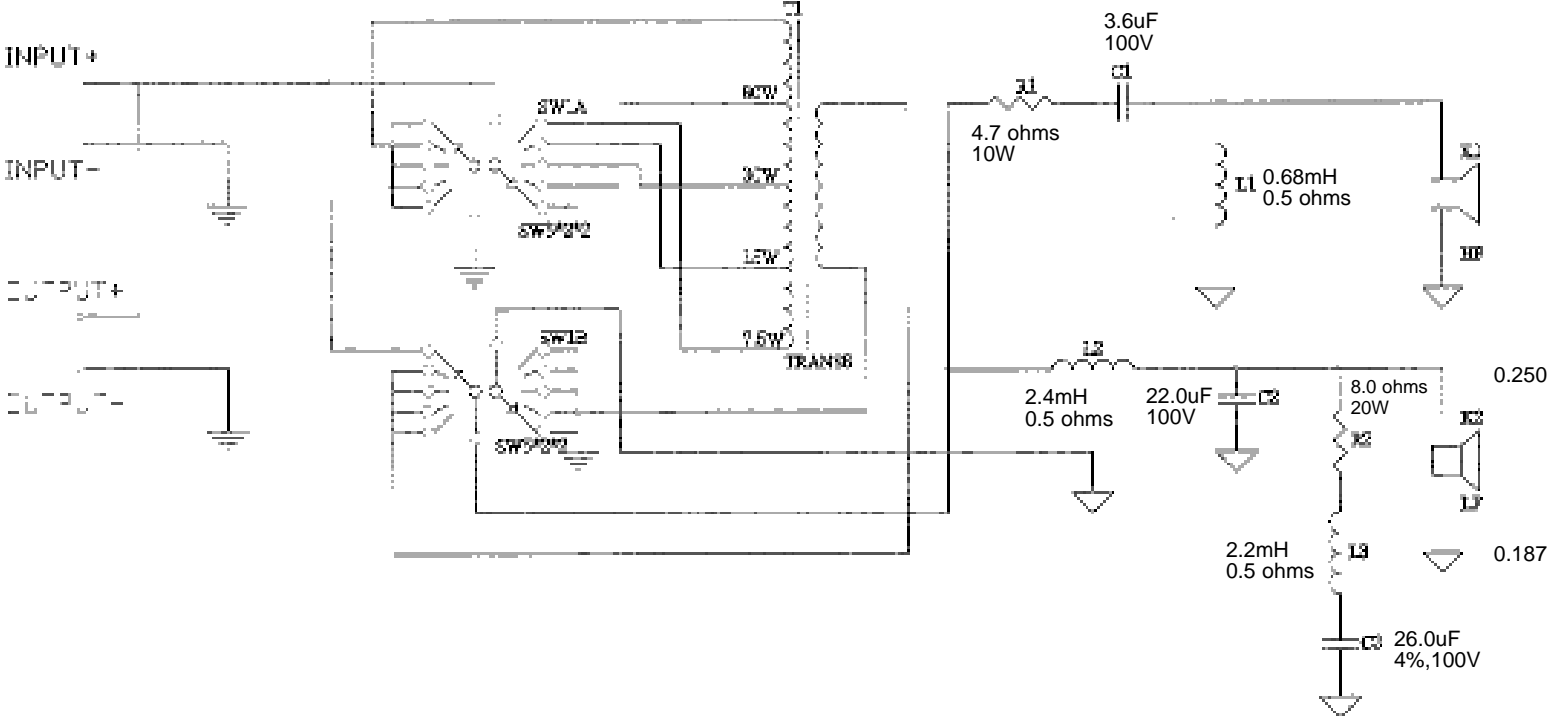


WIRING DIAGRAM



JBL C67P/T-WH

SCHEMATIC (445019-001)

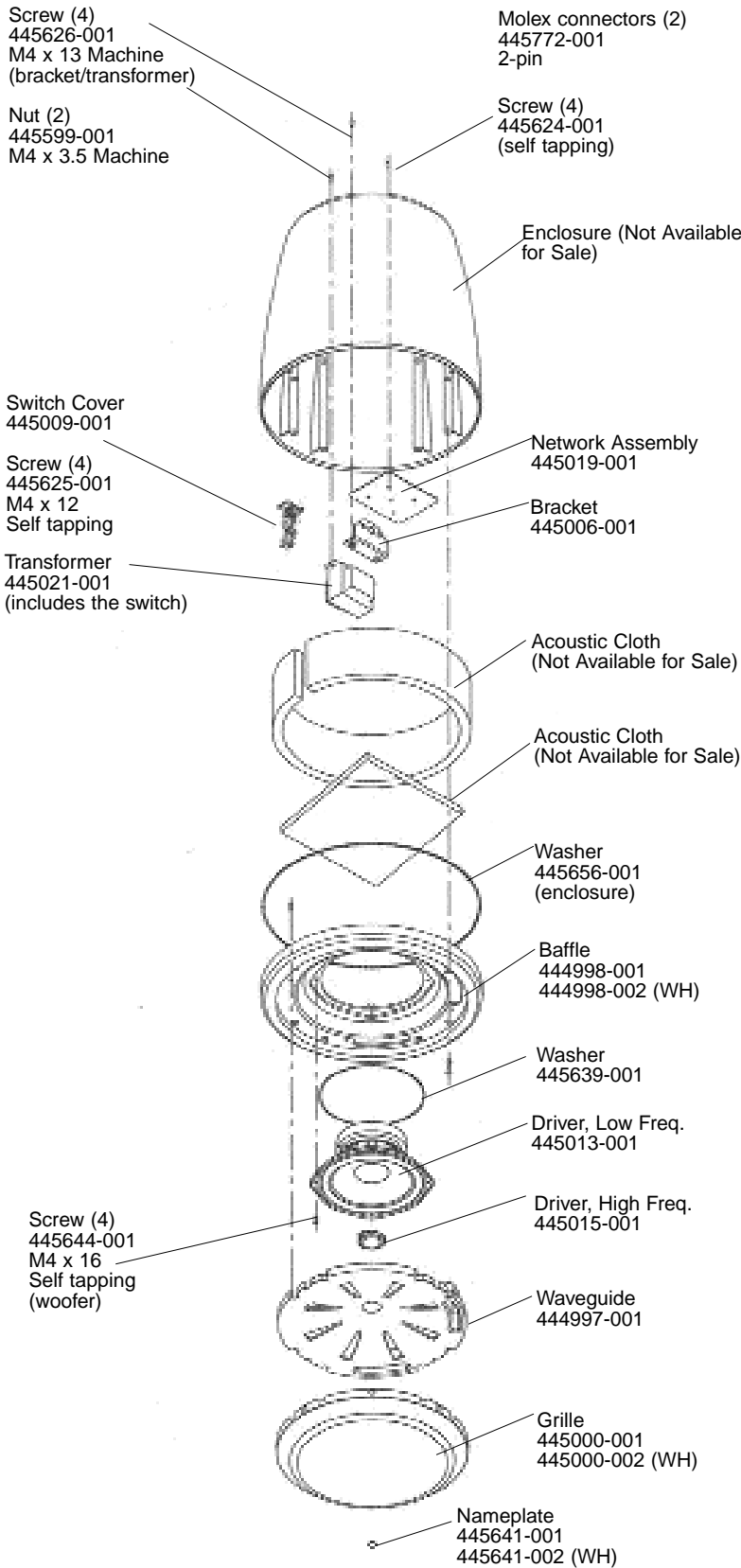


Individual Parts for the above crossover are not available.
A complete replacement assembly should be ordered.

JBL C67P/T-WH

JBL C67P/T-WH

COMPONENT EXPLODED VIEW



JBL C67P/T-WH