

MOD-UNM

Medium Universal Adaptor

For Modular Series Flat Panel Display Mounts

The Peerless-AV Modular Mounts Line features a full range of products that can fulfill multiple requirements from a limited number of SKUs. With the universality of the components, configure your own perfect custom flat-panel display or projector mounting solution for any application.

The Modular Mount Line was developed with the professional AV installer in mind. Designed around a 2" (50mm) diameter pole, the line is ideal for new projects as well as for upgrading existing installations.

The MOD-UNM serves as an adaptor plate for the Peerless-AV Modular Series Mounts for flat panel displays.

FEATURES

- For 26"-46" flat panel displays
- Expands from 110mm to 450mm wide
- Compatible up to VESA® 450 x 400mm
- 132lb (60kg) max weight capacity



Display size: 26" - 46"



Max load: 132lb (60kg)



MOD-UNM Medium Universal Adaptor for Modular Series Flat Panel Display Mounts

Product Specifications

	DIMENSIONS (W x H x D)	PRODUCT WEIGHT	LOAD CAPACITY	FINISH	AVAILABLE COLORS
MOD-UNM	18.66" x 16.35" x 0.66" (474 x 420 x 17mm)	3.51lb (1kg)	132lb (60kg)	Power coat	Black

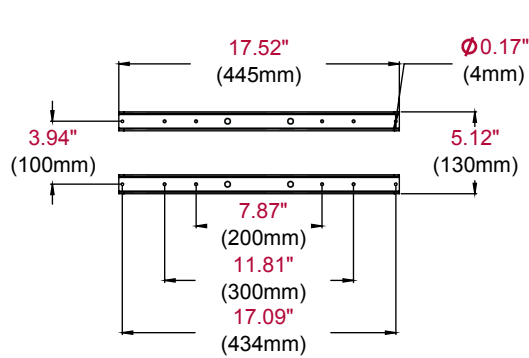
Package Specifications

	PACKAGE SIZE (W x H x D)	PACKAGE SHIP WEIGHT	PACKAGE UPC CODE	PACKAGE CONTENTS	UNITS IN PACKAGE
MOD-UNM	4.00" x 35.38" x 2.00" (101.6 x 898.65 x 50.8mm)	4.65lb (2kg)	73502927000	Brackets (2), adapter plate, mounting hardware	1

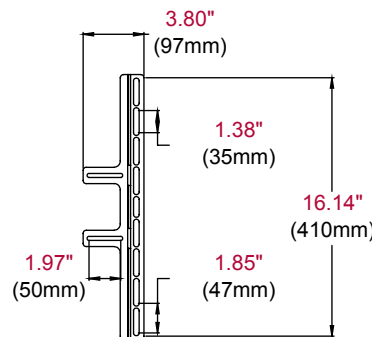
Accessories

- MOD-ACF(-W):** Accessory Cover for MOD-CPF Ceiling Plate
- MOD-APC:** Accessory Pole Coupler
- MOD-APRG(-W):** Accessory Projector Adaptor, PRG Mount
- MOD-APRS(-W):** Accessory Projector Adaptor, PRS Mount
- MOD-ADF:** Pole Drill Fixture
- MOD-ATD-W:** Accessory Trim Disc
- MOD-AUB:** Accessory U-Bolt Adaptor
- MOD-CPC(-W):** Ceiling Plate, Cathedral
- MOD-CPF:** Square Ceiling Plate, Flat (7.4" x 6.8")
- MOD-CPI:** I-Beam Ceiling Plate, Flat
- MOD-ASC:** Display-Stacking Clamp
- MOD-FPMD:** Flat Panel Mount, Dual Back-To-Back
- MOD-P100(-B):** 50mm Extension Pole - 39" (1.0m)
- MOD-P150(-B):** 50mm Extension Pole - 59" (1.5m)
- MOD-P200(-B):** 50mm Extension Pole - 78" (2.0m)
- MOD-P300(-B):** 50mm Extension Pole - 118" (3.0m)
- MOD-FPMS:** Single Display Mount
- MOD-UNL:** Universal Display Adaptor, Large

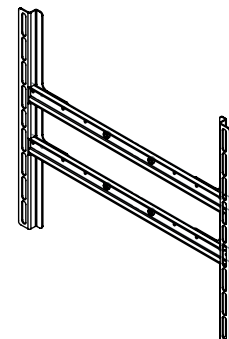
All dimensions = inch (mm)



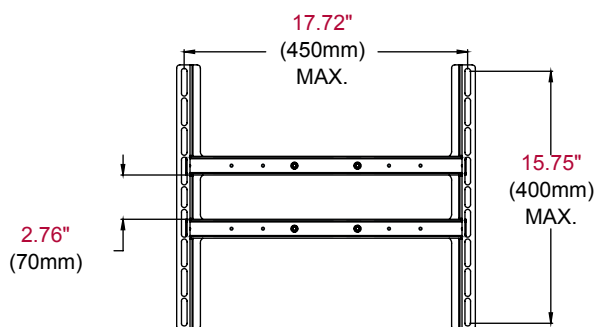
WALL PLATE



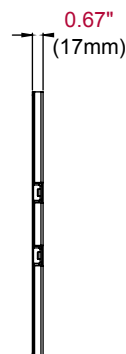
VERTICAL ADAPTER



ISOMETRIC VIEW



FRONT VIEW



SIDE VIEW

ARCHITECTS SPECIFICATIONS

The Medium Universal Adaptor be a Peerless-AV model MOD-UNM and shall be located where indicated on the plans. It shall be constructed of heavy gauge cold rolled steel and finished with scratch resistant Black Fused Epoxy. Assembly and installation shall be done according to instructions provided by the manufacturer

Peerless Industries, Inc. ■ 2300 White Oak Circle ■ Aurora, IL 60502 ■ (800) 865-2112 ■ (630) 375-5100 ■ Fax: (800) 359-6500 ■ peerless-av.com

Visit www.peerless-av.com to see the complete line of AV solutions from Peerless-AV, including flat panel mounts, projector mounts, carts/stands, furniture, cables, screen cleaners and a full assortment of accessories.