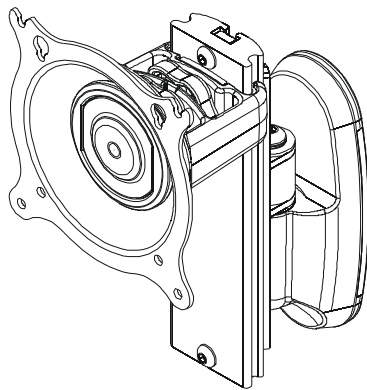


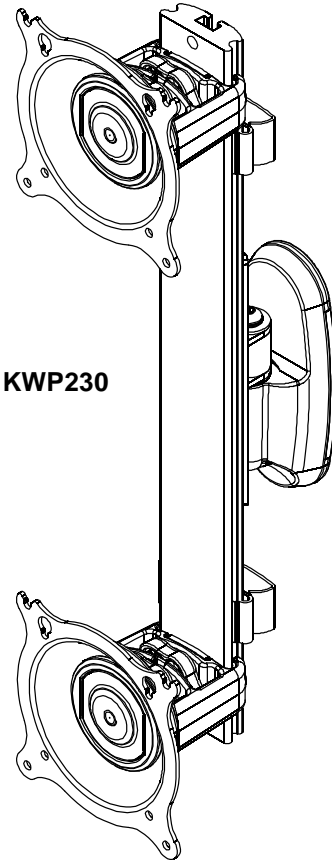
---

# INSTALLATION INSTRUCTIONS

---



KWP130



KWP230

---

## Single and Dual Array Vertical Wall Mount

---

**DISCLAIMER**

Milestone AV Technologies and its affiliated corporations and subsidiaries (collectively, "Milestone"), intend to make this manual accurate and complete. However, Milestone makes no claim that the information contained herein covers all details, conditions or variations, nor does it provide for every possible contingency in connection with the installation or use of this product. The information contained in this document is subject to change without notice or obligation of any kind. Milestone makes no representation of warranty, expressed or implied, regarding the information contained herein. Milestone assumes no responsibility for accuracy, completeness or sufficiency of the information contained in this document.

Chief® and Centris™ are registered trademarks of Milestone AV Technologies. All rights reserved.

**! IMPORTANT SAFETY INSTRUCTIONS!**

**! WARNING:** A WARNING alerts you to the possibility of serious injury or death if you do not follow the instructions.

**! CAUTION:** A CAUTION alerts you to the possibility of damage or destruction of equipment if you do not follow the corresponding instructions.

**! WARNING:** Failure to read, thoroughly understand, and follow all instructions can result in serious personal injury, damage to equipment, or voiding of factory warranty! It is the installer's responsibility to make sure all components are

properly assembled and installed using the instructions provided.

**! WARNING:** Failure to provide adequate structural strength for this component can result in serious personal injury or damage to equipment! It is the installer's responsibility to make sure the structure to which this component is attached can support five times the combined weight of all equipment. Reinforce the structure as required before installing the component.

**! WARNING:** Exceeding the weight capacity can result in serious personal injury or damage to equipment! It is the installer's responsibility to make sure the combined weight of all components attached to this accessory does not exceed 40 lbs (18.14 kg) for the KWP130, and 16.5 lbs (7.5 kg) per display for the KWP230.

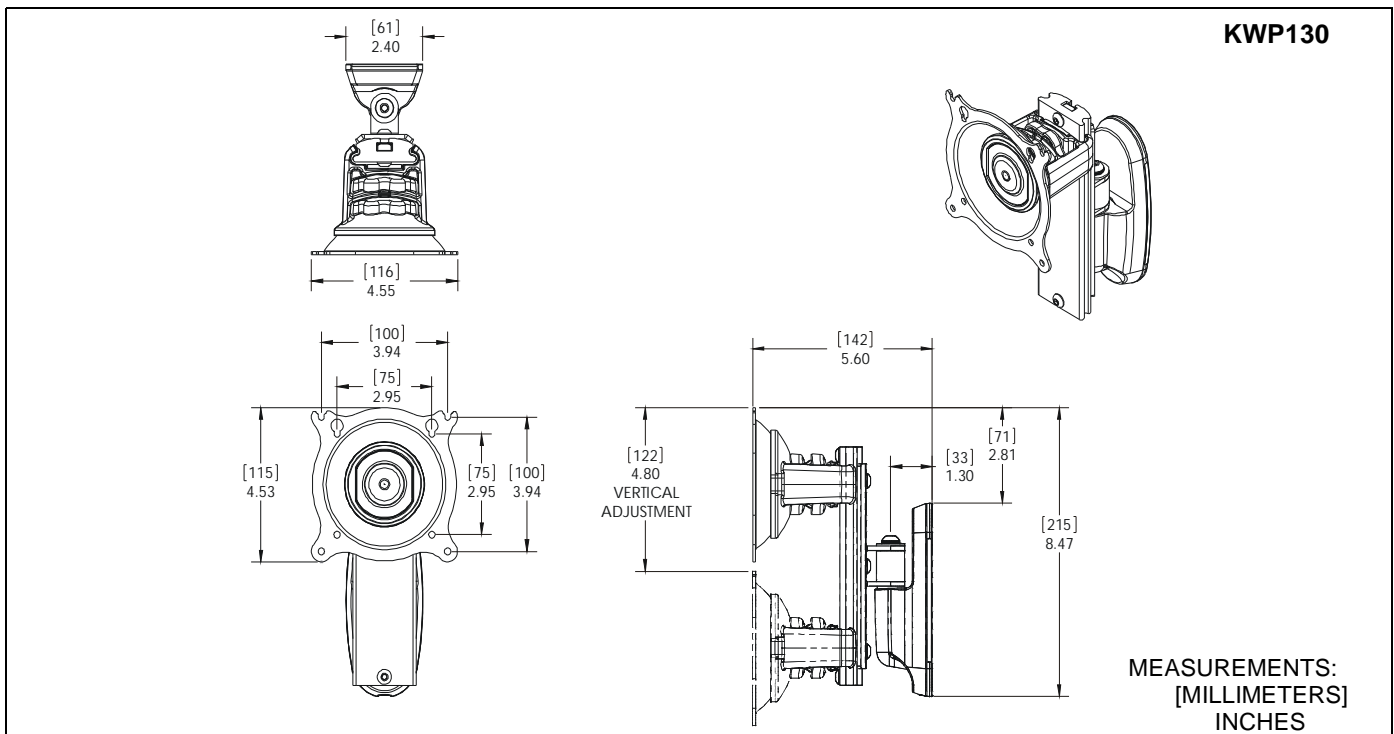
**! WARNING:** Use this mounting system only for its intended use as described in these instructions. Do not use attachments not recommended by the manufacturer.

**! WARNING:** Never operate this mounting system if it is damaged. Return the mounting system to a service center for examination and repair.

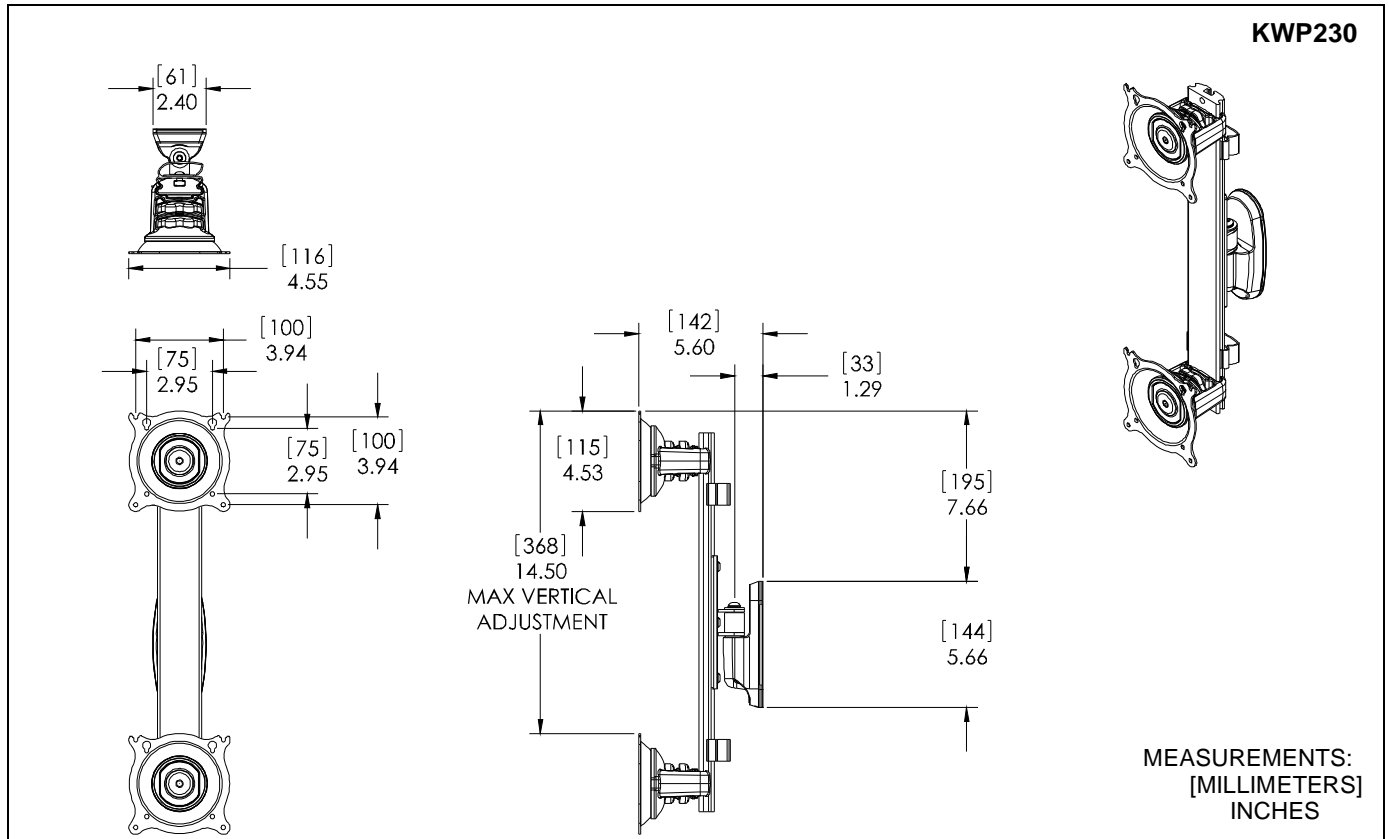
**! WARNING:** Do not use this product outdoors.

**--SAVE THESE INSTRUCTIONS--**

**DIMENSIONS**



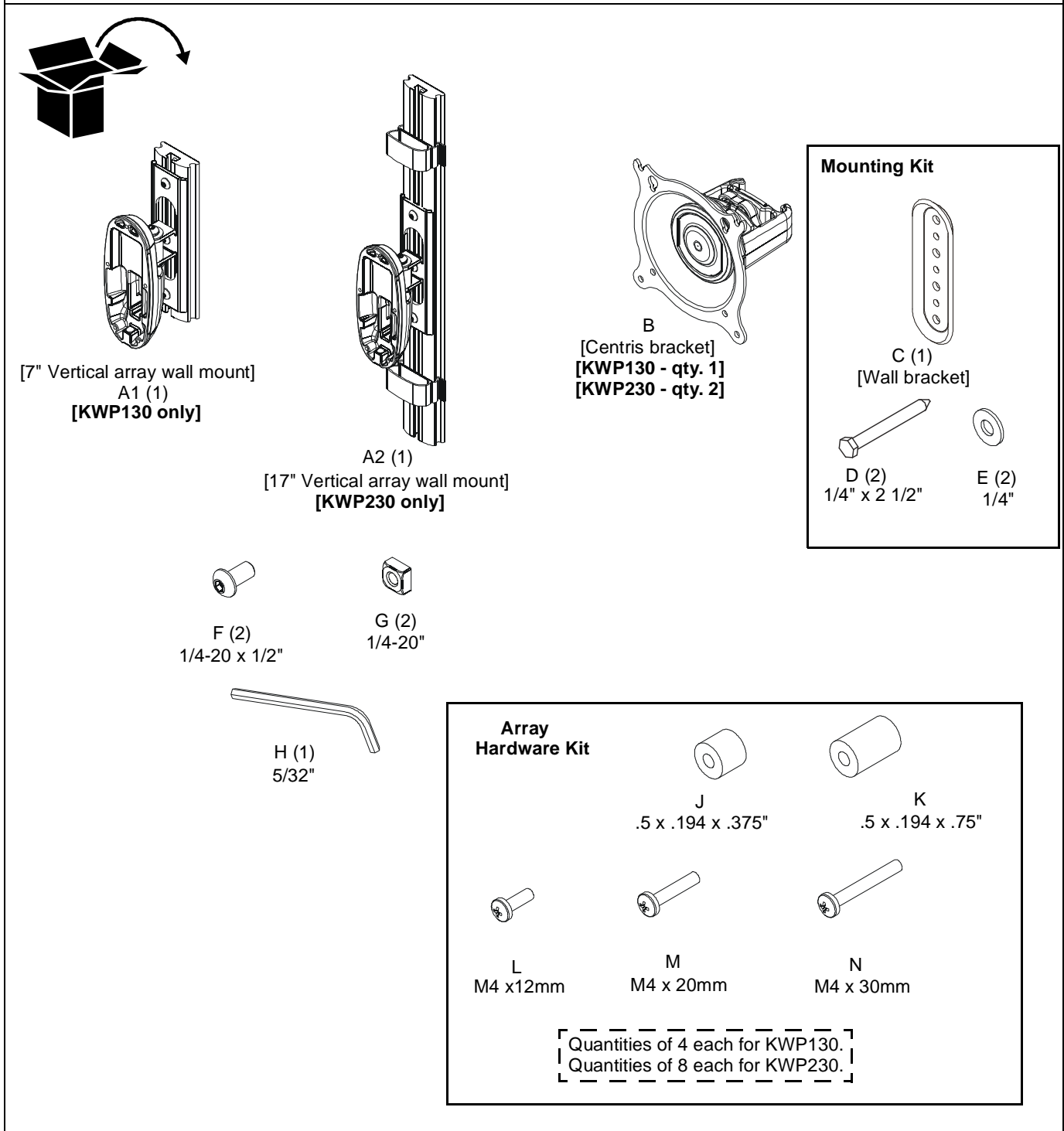
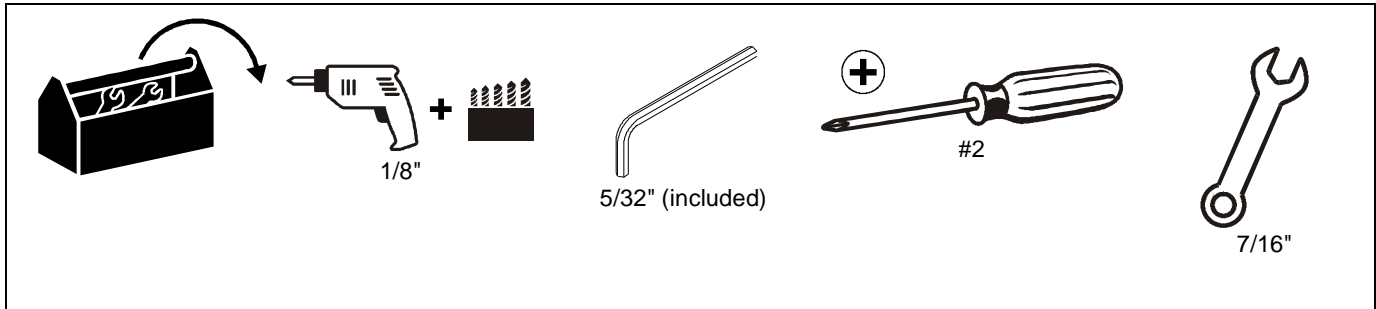
**DIMENSIONS -- CONT'D**



**LEGEND**

	<p><b>Tighten Fastener</b></p> <p>Apretar elemento de fijación</p> <p>Befestigungsteil festziehen</p> <p>Apertar fixador</p> <p>Serrare il fissaggio</p> <p>Bevestiging vastdraaien</p> <p>Serrez les fixations</p>		<p><b>Pencil Mark</b></p> <p>Marcar con lápiz</p> <p>Stiftmarkierung</p> <p>Marcar com lápis</p> <p>Segno a matita</p> <p>Potloodmerkteken</p> <p>Marquage au crayon</p>
	<p><b>Loosen Fastener</b></p> <p>Aflojar elemento de fijación</p> <p>Befestigungsteil lösen</p> <p>Desapertar fixador</p> <p>Allentare il fissaggio</p> <p>Bevestiging losdraaien</p> <p>Desserrez les fixations</p>		<p><b>Drill Hole</b></p> <p>Perforar</p> <p>Bohrloch</p> <p>Fazer furo</p> <p>Praticare un foro</p> <p>Gat boren</p> <p>Percez un trou</p>
	<p><b>Phillips Screwdriver</b></p> <p>Destornillador Phillips</p> <p>Kreuzschlitzschraubendreher</p> <p>Chave de fendas Phillips</p> <p>Cacciavite a stella</p> <p>Kruiskopschroevendraaier</p> <p>Tournevis à pointe cruciforme</p>		<p><b>Hex-Head Wrench</b></p> <p>Llave de cabeza hexagonal</p> <p>Sechskantschlüssel</p> <p>Chave de cabeça sextavada</p> <p>Chiave esagonale</p> <p>Zeskantsleutel</p> <p>Clé à tête hexagonale</p>

**TOOLS REQUIRED FOR INSTALLATION / PARTS**



## Assembly And Installation

### Installation to Wall

1. Determine location for mount keeping in mind display size, extension, height adjustment (if applicable), and pitch/roll requirements. Wall bracket (C) **MUST** be installed into wood stud.
2. Using wall bracket (C) as a template, drill two 1/8" diameter pilot holes through top and bottom holes of bracket and into wall structure. (See Figure 1)

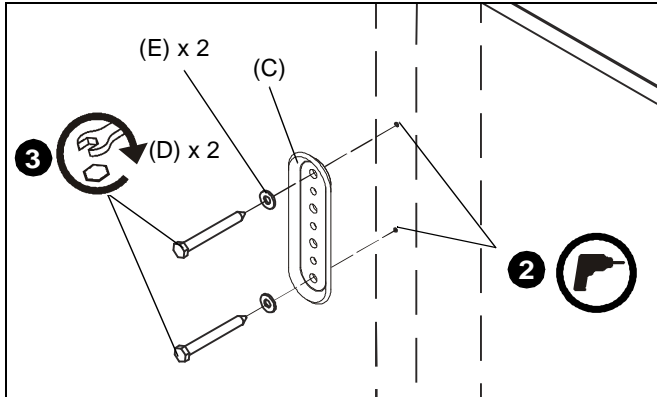


Figure 1

3. Using 7/16" wrench, install two 1/4" x 2-1/2" hex head lag screws (D) through two 1/4" washers (E), wall bracket (C), and drywall into wood stud. Ensure bracket (C) is vertical, then tighten screws (D). (See Figure 1)

**IMPORTANT !** : Overtightening screws (D) may cause bracket (C) to compress into soft wall surface, resulting in difficult mount installation or improper engaging of set screw in Step 5.

4. Insert top of mount (A1 or A2) over lip on top of bracket (C). Swing mount (A1 or A2) down flush against wall. (See Figure 2)

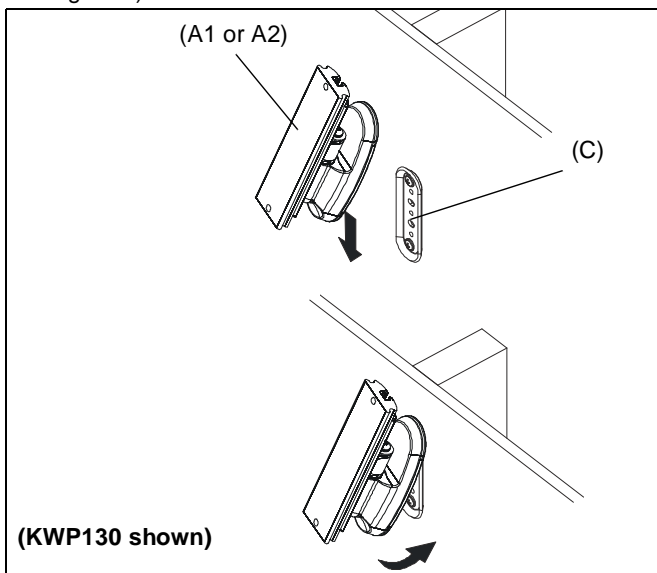


Figure 2

5. Tighten set screw using 5/32" hex key (H). Ensure set screw engages *back* side of bracket (C) to properly secure mount. (See Figure 3)

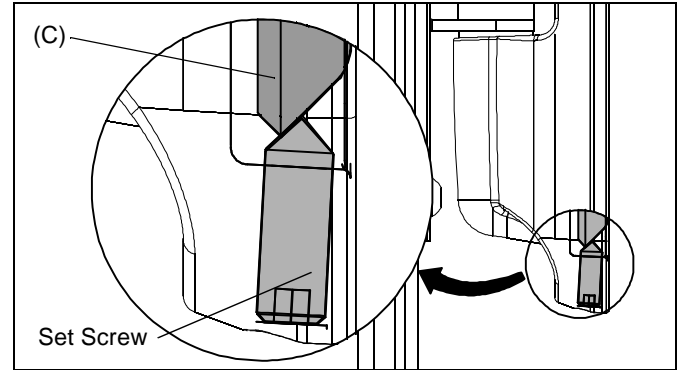


Figure 3

### Centris Bracket to Array

**IMPORTANT !** : If you will be installing a display with **RECESSED** mounting holes, then proceed to **Display Installation** section *before continuing* with this mount installation procedure.

1. Install 1/4-20" square nut (G) into back groove of array (A1 or A2) and line up with bottom hole on plate. (See Figure 4)
2. Install 1/4-20 x 1/2" button head cap screw (F) into lower hole on array mount (A1 or A2) and through square nut (G).

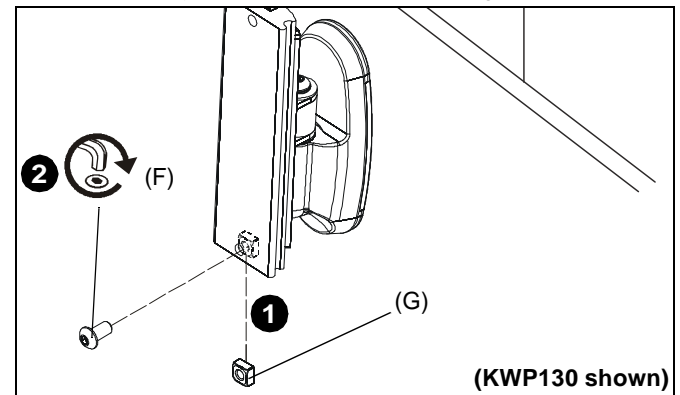


Figure 4

3. Slide one Centris bracket (B) over array (A1). (See Figure 5)

**NOTE:** If installing a KWP230, slide two Centris brackets (B) onto the array (A2).

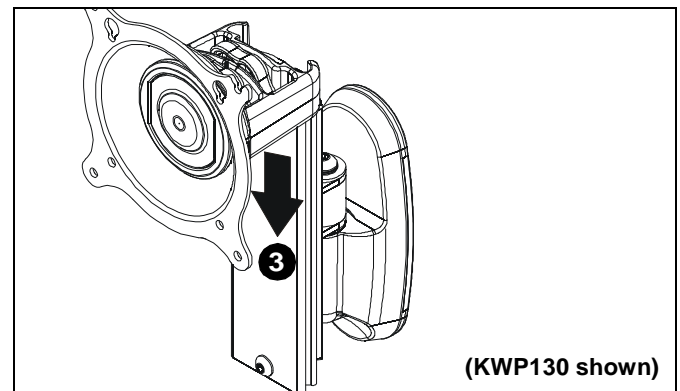
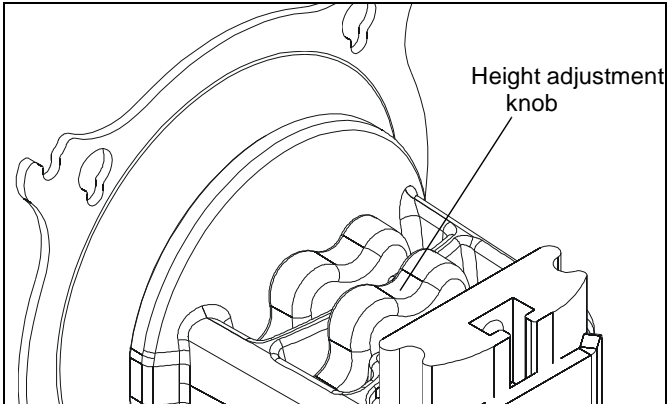


Figure 5

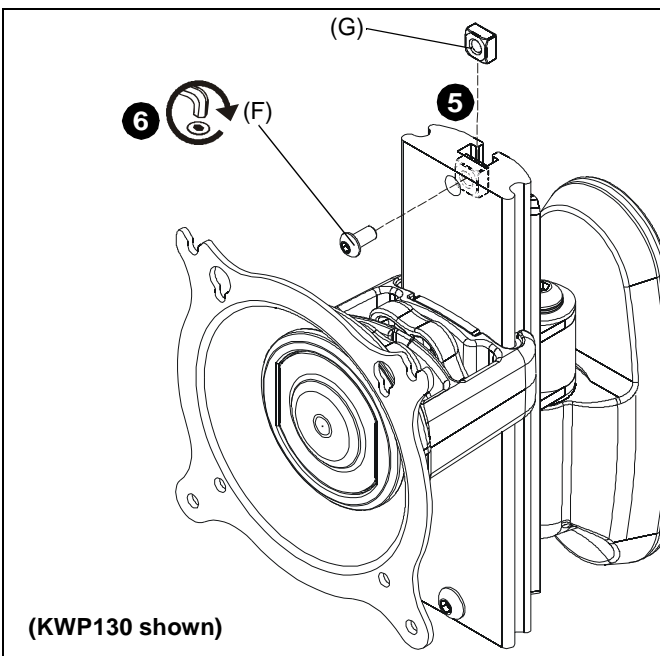
- Adjust Centris bracket (B) to desired height and tighten the knob closest to the array (A1) to secure Centris bracket to array. (See Figure 6)

**NOTE:** If installing a KWP230, adjust two Centris brackets (B) to desired height following instructions in Step 4.



**Figure 6**

- Install 1/4-20" square nut (G) into the top of the back groove of array (A1 or A2) and line up with top hole on plate. (See Figure 7)
- Install 1/4-20 x 1/2" button head cap screw (F) into upper hole on array and through square nut (G). (See Figure 7)



**Figure 7**

### Display Installation

The mounting holes on the back of your display will either be *flush with* the back surface, or *recessed into* the back surface. Refer to the applicable installation procedure.



**WARNING:** Exceeding the weight capacity can result in serious personal injury or damage to equipment! It is the installer's responsibility to make sure the combined weight of all components attached to this accessory does not exceed 40 lbs (18.14 kg) for the KWP130, and 16.5 lbs (7.5 kg) per display for the KWP230.

### FLUSH MOUNTING HOLES

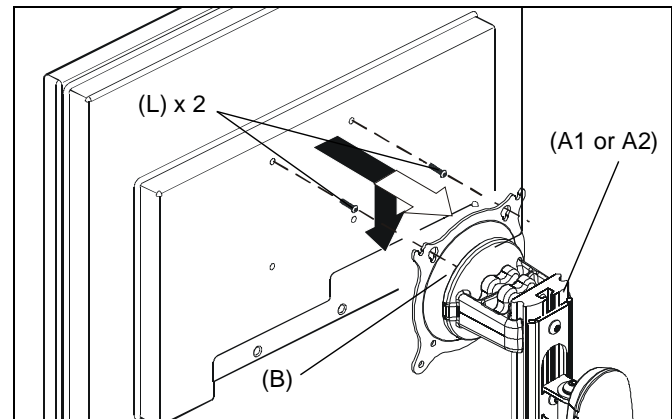


**CAUTION:** Using screws of improper size may damage your display! Proper screws will easily and completely thread into display mounting holes.



**CAUTION:** Inadequate thread engagement in display may cause display to fall! Back out screws **ONLY** as necessary to allow installation of Centris bracket!

- Ensure Centris bracket is able to swivel and tilt easily, yet still be tight enough to hold display in desired position. Adjust as required before proceeding. See **Adjustments** section for detail.
- Using Phillips screwdriver, carefully install two M4 x 12mm Phillips pan machine screws (L) into the *upper* mounting holes on the display. Thread screws completely into display, then back out 3 complete turns.
- Pick up and align display so that screws (L) (installed on the back of the display in the previous step) fit into the mounting holes on the Centris bracket; rotate the bracket as required. Lower the display firmly into place. (See Figure 8)



**Figure 8**

- Using Phillips screwdriver, install two remaining M4 x 12mm Phillips pan machine screws (L) through the *lower* mounting holes in Centris bracket into the display.
- Tighten all four screws (L). Do not overtighten!

### RECESSED MOUNTING HOLES

- Carefully place display face down on protective surface.
- Determine depth of recessed mounting holes relative to back surface of display (against which Centris head will contact).

3. Select proper length spacer and screw from table below:

**NOTE:** All spacers used should be the same length. If the recess depths result in multiple spacer lengths, then select the longer spacer.

IF recess DEPTH is:	THEN use spacer:	AND screw:
3/8" or less	J (3/8" long)	M (M4 x 20mm)
More than 3/8" up to and including 3/4"	K (3/4" long)	N (M4 x 30mm)

- Place the four selected spacers over each of the mount holes on the back of the display.
- Pick up and orient the Centris bracket (B) so that the mounting holes are aligned with the holes in the spacers; rotate the Centris bracket as required. (See Figure 9)

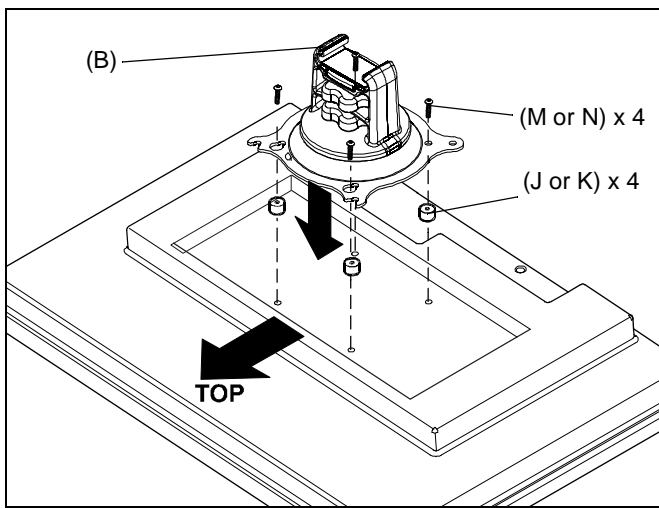


Figure 9



**CAUTION:** Using screws of improper size may damage your display! Proper screws will easily and completely thread into display mounting holes.

- Using Phillips screwdriver, install four selected screws (M or N) through the mounting holes in Centris bracket, through the spacers (J or K), into the display. (See Figure 9) Tighten all four screws. Do not overtighten!
- Return to **Centris Bracket to Array** section to complete installation.

**Adjustments**

If previously attached, disconnect cables from display, then remove display.

**VERTICAL POSITION ON ARRAY**

- Using your fingers, slightly loosen adjustment knob A. (See Figure 10)
- Slide display to desired position.
- Using your fingers, tighten adjustment knob A.

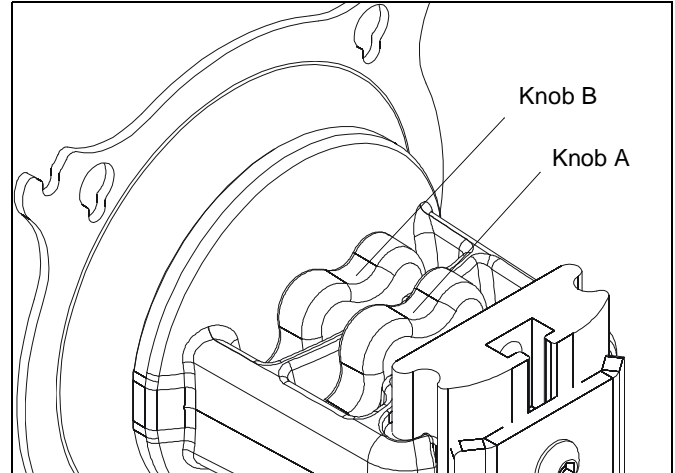


Figure 10

**PITCH / YAW / ROLL**

- Using your fingers, slightly loosen adjustment knob B. (See Figure 10)
- Adjust display as desired.
- Using your fingers, tighten adjustment knob B.



Our Mounts. **Your Vision.**

Chief Manufacturing, a products division  
of Milestone AV Technologies

8800-002342 Rev00

©2013 Milestone AV Technologies, a  
Duchossois Group Company

[www.chiefmfg.com](http://www.chiefmfg.com)

04/13

<b>USA/International</b>	<b>A</b> 6436 City West Parkway, Eden Prairie, MN 55344
	<b>P</b> 800.582.6480 / 952.225.6000
	<b>F</b> 877.894.6918 / 952.894.6918
<b>Europe</b>	<b>A</b> Franklinstraat 14, 6003 DK Weert, Netherlands
	<b>P</b> +31 (0) 495 580 852
	<b>F</b> +31 (0) 495 580 845
<b>Asia Pacific</b>	<b>A</b> Office No. 1 on 12/F, Shatin Galleria 18-24 Shan Mei Street Fotan, Shatin, Hong Kong
	<b>P</b> 852 2145 4099
	<b>F</b> 852 2145 4477

