



200 Class 48mm Stacklight™

The 200 Class 48mm Stacklight™ is a versatile signaling device that may contain up to 5 light modules or 4 light modules and 1 sounder module in a single, integrated stack. The lens modules are available with LED light sources, and in red, amber, green, blue, yellow and white. The 48mm Stacklight™ comes as a Multi-Mode device, so the user may choose either the steady burn or flashing mode. The lenses are made from a self-extinguishing polycarbonate material and are scratch and impact resistant.

An optional magnetodynamic sounder module complements the 48mm visual signals of the Stacklight™. The sound module has been designed so that it is always in the top position of the Stacklight™.

The 200 Class 48mm Stacklight™ features an interlocking system for quick assembly without any tools. It is available in industrial gray or basic black and offers multiple voltage ranges to provide solutions for most industrial applications, while also meeting machine builder and OEM requirements.

200 Class 48mm Stacklight™ Features

- cULus listed
- CE approved
- IP65 without Sounder
- Six lens colors
- Three different light sources
- Multi-Mode (Steady or Flash – user selectable)
- Available in Industrial Gray or Basic Black
- Stackable up to 5 total modules including sounder
- Quick and simple assembly with NO tools required
- Optional Magnetodynamic Sounder (one single tone – 77dB)
- Multiple voltage options
- Operating temperature -22°F to 122°F (-30°C to 50°C)

200 Class 48mm LED Stacklight™

Description	Cat. No.**	LED Color	Operating Voltage†	Current	dB (A) 1m
Wiring Base, Cover and Foot - Gray	248BC				
200 Class 48mm LED	248LEDM*24AD	Blue, Amber, Red, Green, Yellow, White	24V AC/DC	0.030A	
Multi-mode Lens Modules - Gray	248LEDM*120A	Blue, Amber, Red, Green, Yellow, White	120V AC	0.065A	
	248LEDM*240A	Blue, Amber, Red, Green, Yellow, White	240V AC	0.055A	
Magnetodynamic Acoustic Modules - Gray	248MDA24AD		24V AC/DC	0.130A	77
	248MDA120A		120V AC	0.010A	77
	248MDA240A		240V AC	0.015A	77

*Letter in this position designates lens/LED color: A - amber, B - blue, G - green, R - red, W - white, or Y - yellow

**NOTE: Add "B" to end of the catalog number for Basic Black unit.

†AC voltage frequency is 50/60 Hz

Accessories

Description	Cat. No.
Junction Box - Gray	270JBX*
Footring with Extension - Gray	270KIT*
Threaded Extension Pole 100mm - Gray	270TEP*
Threaded Footring - Gray	270THF*
Threaded Wall Mount - Gray	270TWM*
Double Threaded Wall Mount - Gray	270TWM2*
270 Flexible Steel Extension Stem - 370mm	270FLXT
270 Stainless Steel Extension Stem - 100mm	270SSXT100
270 Stainless Steel Extension Stem - 200mm	270SSXT200
270 Stainless Steel Extension Stem - 400mm	270SSXT400
270 Female Adapter Base - Gray	270FMLADAPT

*NOTE: Add "B" to end of the catalog number for Basic Black unit.



Junction Box



Threaded Footring



Footring with Extension



Threaded Extension Pole



Threaded Wall Mount



Double Threaded Wall Mount



100mm

200mm

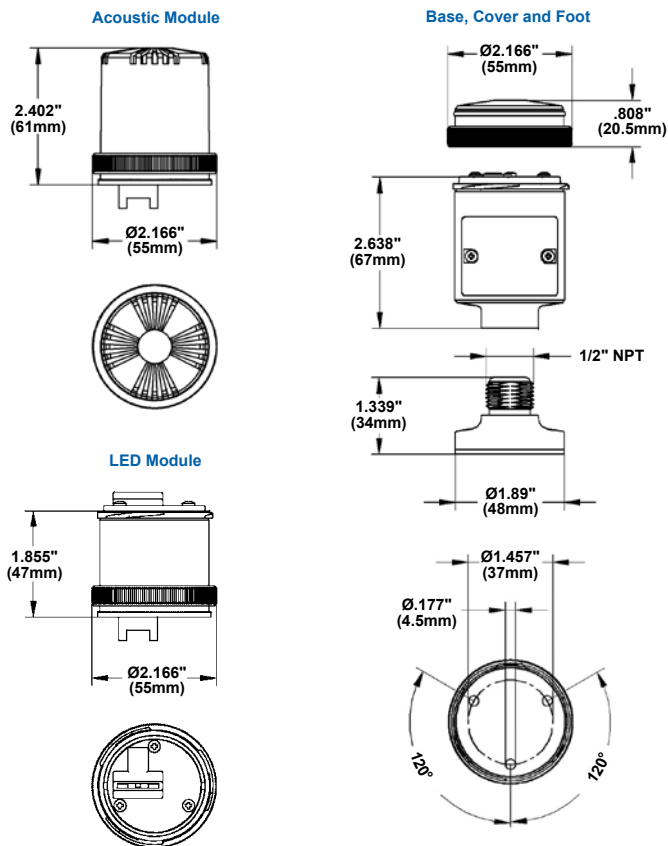
400mm

370mm

Stainless Steel
Extension Stem

Flexible Steel
Extension Stem

Dimensional Drawings



Agency Approvals



9 Farm Springs Road
Farmington, CT 06032
1.800.336.4206
www.edwardssignaling.com
© Copyright 2012 Edwards Signaling

Data Sheet ES001-0122 Issue 1
Not to be used for installation purposes.
Page 2 of 2