

QUANTUM QWCM INSTALLATION MANUAL

TABLE OF CONTENTS

[Limitation of liability](#)

[Product limited warranty](#)

[Limited warranty limits and exclusions](#)

[Chapter 1. Getting Started](#)

- [Hardware specifications](#)
- [Software specifications](#)
- [Mounting](#)

[Chapter 2. Wiring Diagram and Network Setting](#)

- [Network, User Name and Password Default Setting](#)
- [QWCM Direct Connection](#)
- [QWCM Local Area Network \(LAN\)](#)
- [Internet](#)

[Chapter 3. Resetting the QWCM](#)

LIMITATIONS OF LIABILITY

This manual is subject to change without notice.

Pach and Company is not liable for any errors that might occur from use of this document, nor is any commitment to update the information herein implied.

Pach and Company does not assume any liability for any damages, which may arise in installation or use of the Quantum QWCM. Pach and Company does not assume liability for any incompatibility between the Quantum QWCM and users devices.

Pach & Company reserves the right to make changes without prior notice to any products in order to improve reliability, function or design.

PRODUCTS LIMITED WARRANTY

If your product does not work properly because of a defect in materials or workmanship, Pach and Company (referred to as the warrantor) will, for the length of the period indicated on the chart below, which starts with the date of original purchase (Limited Warranty Period), at its option either (a) repair your product with new or refurbished parts or (b) advance replacement with new or refurbished product. The decision to repair or advance replacement will be made by the warrantor. Advance replacement will be ship UPS ground under the warranty period with no charge. *The defective product must be return to Pach and Company within 15 days after receiving the advanced replacement otherwise you will be billed the full amount.*

Parts: Two (2) year, does not cover parts needed to re-install the product by the installer

Labor: Two (2) year, does not cover installation labor
Cards, Fobs and Transmitters warranted for 90 days

LIMITED WARRANTY LIMITS AND EXCLUSIONS

This limited warranty **ONLY COVERS** failures due to defects in materials or workmanship, and **DOES NOT COVER** normal wear and tear or cosmetic damage.

The Limited Warranty **ALSO DOES NOT COVER** damages which occurred in shipment, or failures which result from accidents, misuse, abuse, neglect, bug infestation, mishandling, misapplication, alteration, faulty installation, setup adjustment, misadjustment of consumer controls, improper maintenance, power line surge, lightning damage, modification, introduction to sand, humidity or liquids or product has been installed by non-license installer or damage that is attributable to acts of God.

ADVANCE REPLACEMENT can only be issued by Pach and Company Technical Department free of charge and transport by standard transportation (UPS Ground, Standard US mail, whichever is applicable). Our Technical Department has the right to decline advance replacement. It is your responsibility to return the defective part at your cost. **THERE ARE NO EXPRESS WARRANTIES EXCEPT AS LISTED UNDER LIMITED WARRANTY COVERAGE . THE WARRANTOR IS NOT LIABLE FOR INCIDENTAL OR CONSEQUENTIAL DAMAGES RESULTING FROM THE USE OF THIS PRODUCT, OR ARISING OUT OF ANY BREACH OF THIS LIMITED WARRANTY.** (As examples, this excludes damages for lost time, lost calls or messages, cost of having a unit removed or re-install if applicable, travel to and from the servicer.

ALL EXPRESS AND IMPLIED WARRANTIES, INCLUDING THE WARRANTY OF MERCHANTABILITY, ARE LIMITED TO THE PERIOD OF THE LIMITED WARRANTY.

Some states do not allow the exclusion or limitation of incidental or consequential damages, or limitation on how long an implied warranty lasts, so the exclusions may not apply to you.

This Limited Warranty gives you specific legal rights and you may also have other rights which vary from state to state. If a problem with this product develops during or after the Limited Warranty period, you may contact your dealer/installer. If the problem is not handled to your satisfaction, then call Pach and Company at 1-888-678-7224.

PARTS AND SERVICE, WHICH ARE NOT COVERED BY LIMITED WARRANTY, ARE YOUR RESPONSIBILITY.

CHAPTER 1 Getting Started



Quantum QWCM is a Web Communication Module. It has built-in software browser and no computer software installation needed. It is compatible with most computer browser such as Internet Explorer, Mozilla Firefox, Safari, Netscape, etc..The system can also be programmed on the go by using Smartphone, iPad or Android tablet.



The database on the Quantum Series cannot be backed-up using Smartphone, iPad or Adroid Tablet because the software limitation of their software limitations.

The QWCM comes with two year Limited warranty, [see above for more detail](#)

1.1 Hardware Specifications

Power Input: 12 Vdc (use Quantum Series on board 12 Vdc power supply, using different 12 Vdc power source is not recommended)

Current Consumption: 300 mA

Dimension including the heat sink: 5-3/4" (L) x 1-1/2" (W) x 1-3/4" (H)

Mounting: Magnetic mount Inside the Quantum Series Cabinet

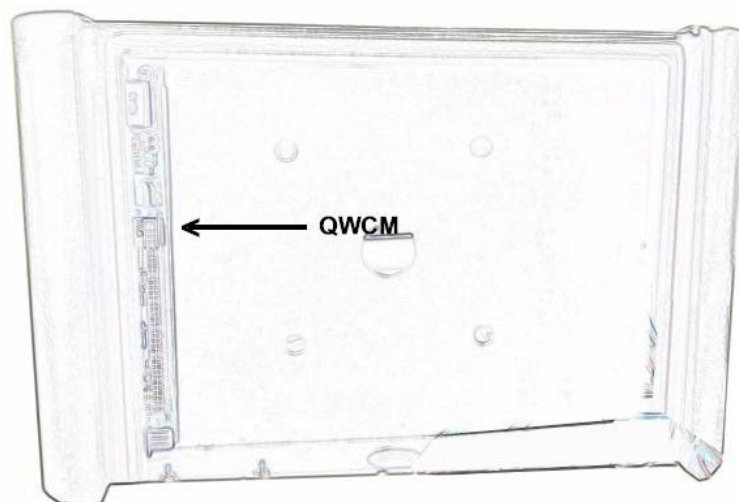
Communication: Ethernet RJ-45 10/100M, RS-232

1.2 Software Specifications

Built-in software browser

1.3 Mounting

The QMCM must be mounted inside the Quantum Series cabinet. The QWCM is mounted using a sticky on magnet on the right side opening of the Quantum QR5 and QC1.



CHAPTER 2 Wiring Diagram and Network Setting



A basic knowledge of networking is required to install the QWCM. Pach and Company technical department will not be responsible configuring your network system. You may contact the Information Technology (IT) department or consultant to configure your network.

The QWCM can be used to program the Quantum Series as

- [Direct connection](#)
- [Local Area Network \(LAN\)](#)
- [Internet](#)

2.1 Network, User name and Password Default Setting

IP ADDRESS: 192.168.1.230

SUBNET MASK: 255.255.255.0

DEFAULT GATEWAY: 192.168.1.1

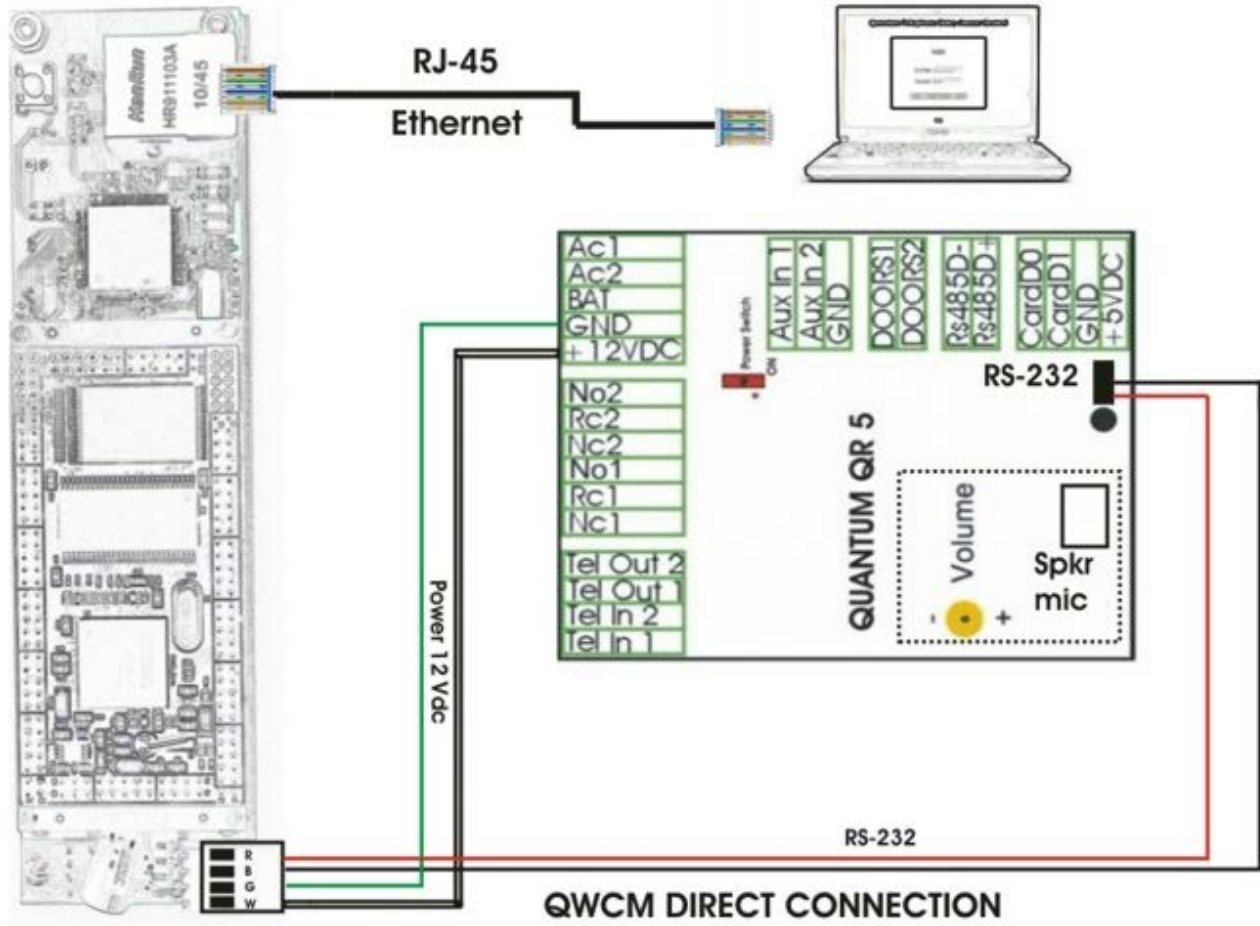
DNS ADDRESS: 192.168.1.1

User Name: Administrator (cannot be changed)

Password: 8888 or pach (can be change to user preference, password can be number, character or combination of both up to 15 digit)

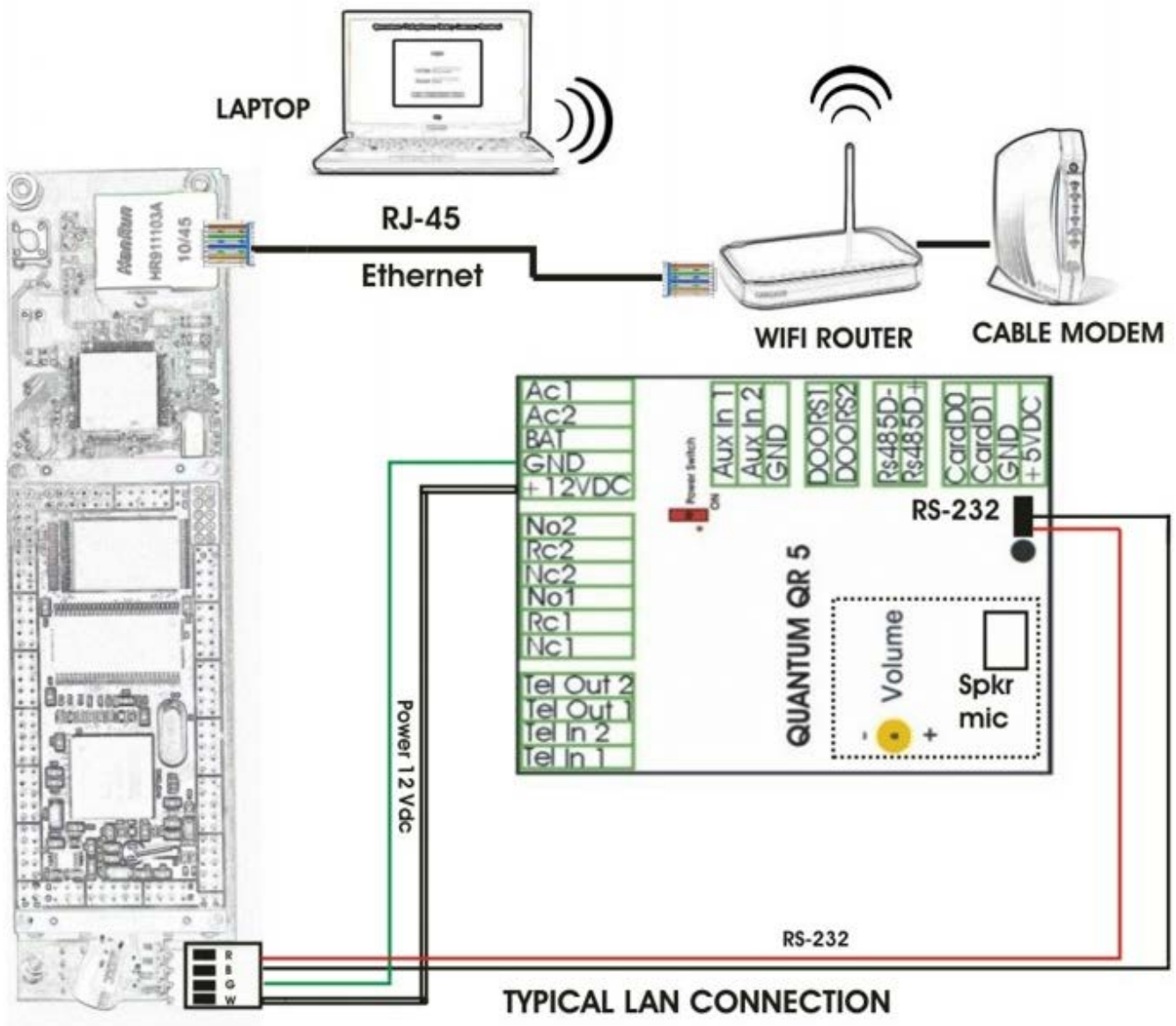
2.2 QWCM Direct Connection

Direct connection means the QWCM can be directly connected to your desktop or laptop via Ethernet connection. See diagram below. You must set-up the computer network to communicate with the QWCM. [See default setting on section 2.1](#)



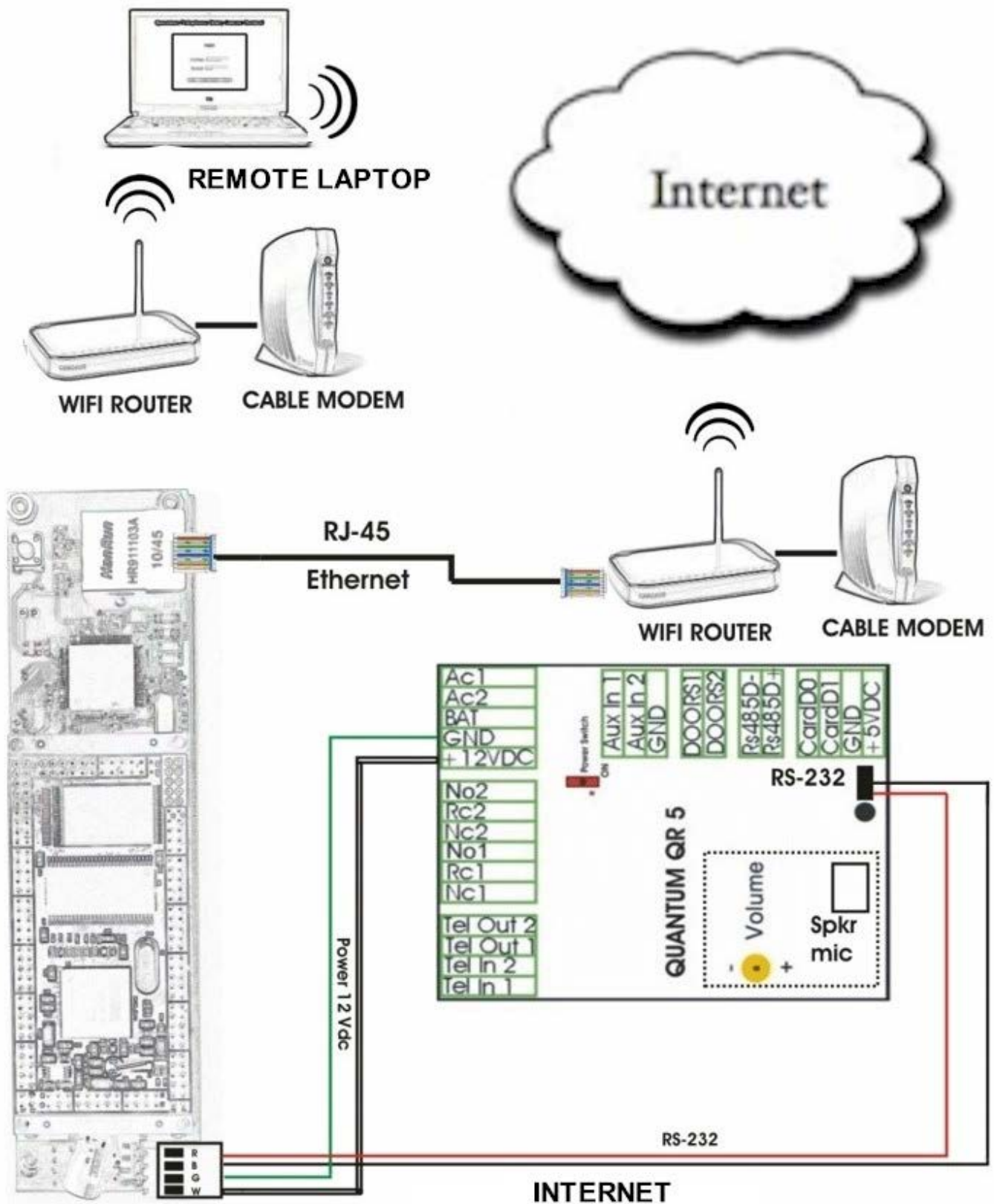
2.3 QWCM Local Area Network (LAN)

You must have a local area network with one available Ethernet port for each of the QWCM. Contact your IT department for the router configuration set-up. See diagram below for typical LAN connection.



2.4 Internet

The QWCM can be accessed via Internet. Consult your IT department to configure the router to accept port forwarding.



CHAPTER 3 Resetting the QWCM

In case the password and network setting have been forgotten, you can reset the password and the network setting to factory default. Follow the steps below

1. Press and hold the reset black button for 10 seconds

2. Turn the QR5 power by the switch
3. The network setting will return to

IP ADDRESS: 192.168.1.230

SUBNET MASK: 255.255.255.0

DEFAULT GATEWAY: 192.168.1.1

DNS ADDRESS: 192.168.1.1

User Name: Administrator

Password: 8888 or pach



THE QWCM ONLY WORKS WITH QR5 OR QC1 FIRMWARE DATED 12-12-2011 OR LATER