

PLCM-2-UNL



Display size
32"-90"



Max load
150lb (68.2kg)

SMARTMOUNT.

Ceiling Mount

WITH I-SHAPED ADAPTOR AND TILT BOX FOR 32" TO 90"

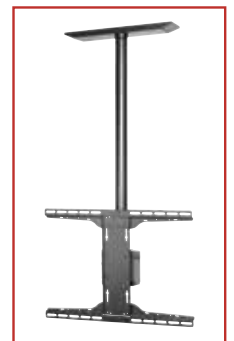
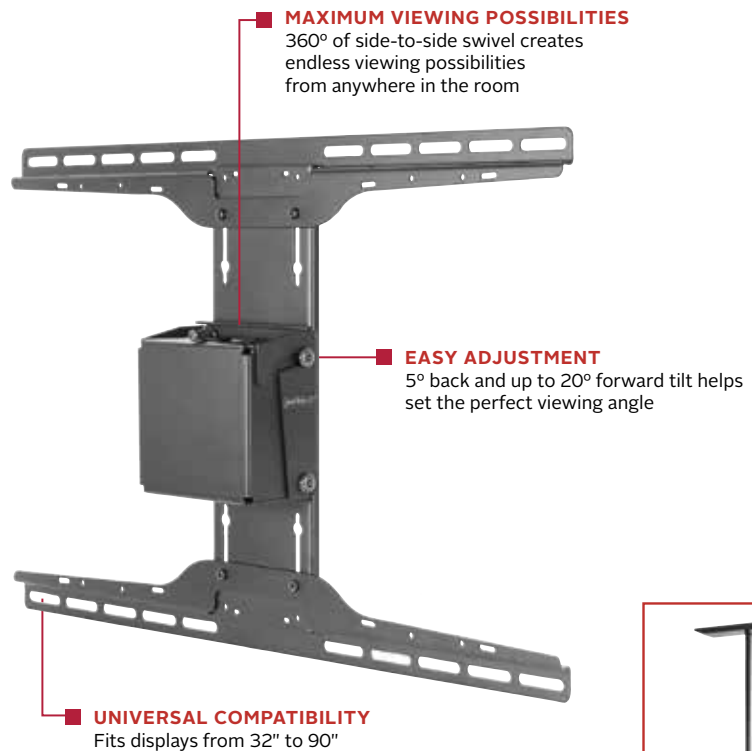
The SmartMount® PLCM-2-UNL Ceiling Mount utilize a 1.5" NPT extension pipe for versatility, support, and connection. The 1.5" NPT threaded pipe makes it simple to customize each mount to your specific application. The PLCM-2-UNL kit combines the PLP-UNL Universal I-Shaped Adaptor plate and the PLCM-2 tilt box, to deliver display mounting patterns of up to 600 x 400mm. When combined with Peerless-AV® ceiling plates and columns, it provides the perfect combination for flat panel ceiling mounting in sports facilities, airports, lobbies, or retail environments.

PLCM-2-UNL's 360° of side-to-side swivel helps create the best viewing angle from anywhere in the room.



Additional Features

- ✓ -5° to 20° adjustable tilt and 360° swivel
- ✓ Uses standard 1.5" (38mm) NPT pipe
- ✓ Simple hook-on display installation
- ✓ Universal I-Shaped Adaptor fits displays with mounting holes up to 600 x 400mm
- ✓ Landscape or portrait orientation
- ✓ Ceiling plate and extension columns required (sold separately)



Ceiling plate and column required, sold separately



PLCM-2-UNL SmartMount® Ceiling Mount with I-Shaped Adaptor and Tilt Box for 32"-90" Displays

Product Specifications

| | DIMENSIONS (W x H x D) | PRODUCT WEIGHT | LOAD CAPACITY | FINISH | AVAILABLE COLORS |
|------------|--|----------------|----------------|-------------|------------------|
| PLCM-2-UNL | 24.38" x 16.75" x 4.04" (619 x 425 x 103mm) | 7.9lb (3.6kg) | 150lb (68.2kg) | Powder Coat | Black |

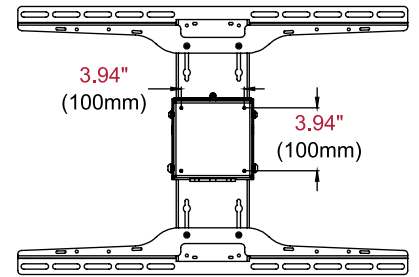
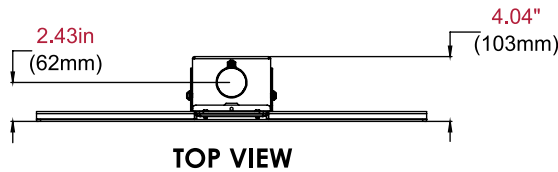
Package Specifications

| | PACKAGE SIZE (W x H x D) | PACKAGE SHIP WEIGHT | PACKAGE UPC CODE | PACKAGE CONTENTS | UNITS IN PACKAGE |
|------------|---|---------------------|------------------|--|------------------|
| PLCM-2-UNL | 27.50" x 8.25" x 6.75" (699 x 210 x 171mm) | 9.0lb (4.09kg) | 735029275060 | PLCM-2 Tilt box, PLP-UNL Universal I-Shaped Adaptor, mounting hardware & instruction | 1 |

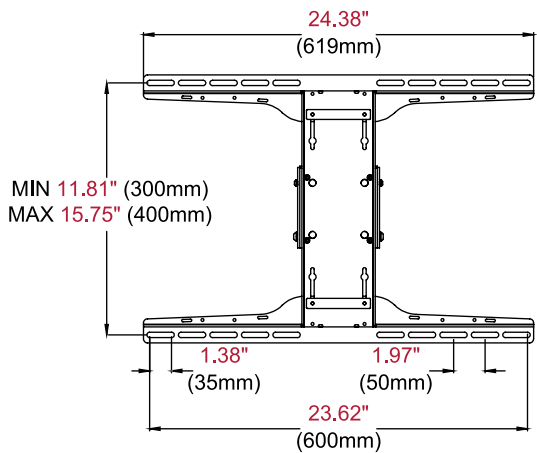
Accessories

- ACC, CMJ, DCS,
- DCT Models: Ceiling Plates
- AEC Models: Adjustable Length Extension Columns
- EXT Models: Fixed Length Extension Columns

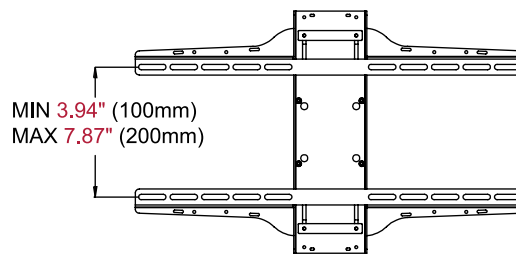
All dimensions = inch (mm)



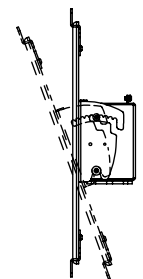
BACK VIEW



FRONT VIEW



FRONT VIEW



**SIDE VIEW
20° MAX TILT**

Architect Specifications

The Smartmount® Universal Ceiling Mount Adaptor shall be a Peerless-AV model PLCM-2-UNL and shall be located where indicated on the plans. Assembly and installation shall be done according to instructions provided by the manufacturer.

Visit peerless-av.com to see the complete line of AV solutions from Peerless-AV, including outdoor displays, wireless, kiosks, digital audio, display mounts, projector mounts, carts/stands, and a full assortment of accessories.

Peerless-AV
2300 White Oak Circle
Aurora, IL 60502 USA

(800) 865-2112
(630) 375-5100
Fax: (800) 359-6500

Peerless-AV Europe
Unit 3 Watford Interchange
Colonial Way, Watford
Herts, WD24 4WP
United Kingdom
+44 (0) 1923 200100
Fax: +44 (0) 1923 200101

Peerless-AV de México
Ave de las Industrias 413
Parque Industrial Escobedo
Escobedo, N.L.,
Mexico 66050
+52 (81) 8384-8300
Fax: +52 (81) 8384-8360

