

WSP756

Metal Stud Wall Plate

For Use With SA752P(U), SA761P(U), SA763PU and SA771P(U)

The WSP756 wall plate offers more options for mounting large Peerless pivot and articulating mounts by increasing the load capacity on 16", 20" and 24" metal studded walls. This wall plate let's you position large size screens almost anywhere on the wall, no matter of stud spacing, to easily open up the display's mounting options. Designed with installation in mind to be sleek and functional, this gloss black finished metal wall plate provides optimum open spacing to increase your cable management options.



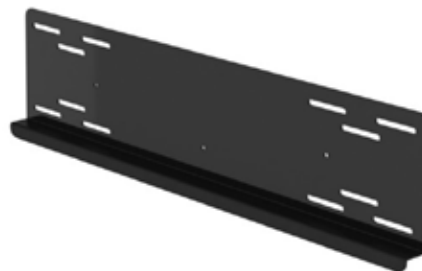
Max load: up to 200lb (90.7kg)

FEATURES

- For use with SA752P(U), SA761P(U), SA763PU and SA771P(U)
- Available in gloss black
- Increased cable management options
- Maximum load capacity for SA752 models: 90lb (40.8kg)
Maximum load capacity for SA761 models: 130lb (58.9kg)
Maximum load capacity for SA763 and SA771 models: 200lb (90.7kg)
- 16", 20" and 24" metal stud placement

INSTALLATION FLEXIBILITY

Multiple options for metal stud placement



Shown with SA752PU



WSP756: 16", 20" and 24" Metal Stud Wall Plate

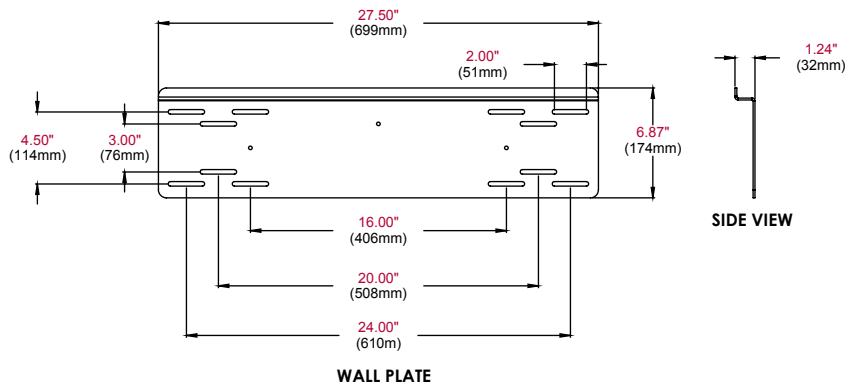
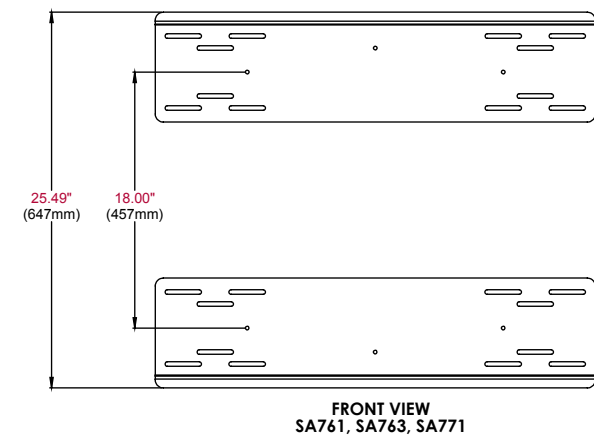
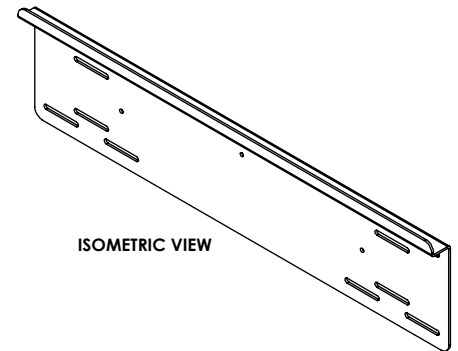
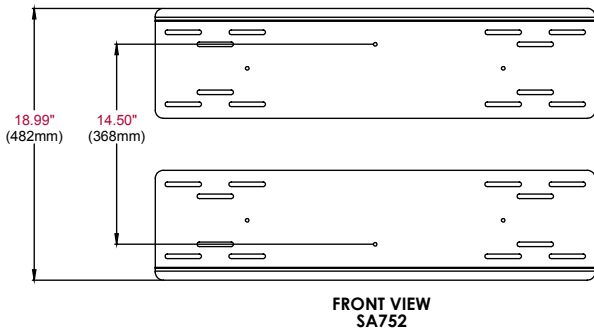
Product Specifications

	DIMENSIONS (W x H x D)	PRODUCT WEIGHT	LOAD CAPACITY	FINISH	AVAILABLE COLORS
WSP756	For SA752P(U): 27.50" x 18.99" x 1.24" (699 x 482 x 32mm)	14lb (6kg)	For SA752P(U): 90lb (40.8kg)	Scratch resistant fused epoxy	Gloss black
	For SA761P(U)/SA763PU/SA771P(U): 27.50" x 25.49" x 1.24" (699 x 647 x 32mm)		For SA761P(U): 130lb (58.9kg) For SA763PU/SA771P(U): 200lb (90.7kg)		

Package Specifications

	PACKAGE SIZE (W x H x D)	PACKAGE SHIP WEIGHT	PACKAGE UPC CODE	PACKAGE CONTENTS	UNITS IN PACKAGE
WSP756	31" x 10.18" x 3.12" (787 x 254 x 79mm)	16.5lb (7kg)	735029273394	Wall plate, mounting hardware, mounting template	1

All dimensions = inch (mm)



ARCHITECTS SPECIFICATIONS

The Metal Stud Wall Plate will be a Peerless model WSP756 and shall be located where indicated on the plans. It shall be constructed of heavy gauge cold rolled steel and finished with scratch resistant Black Fused Epoxy. Assembly and installation shall be done according to instructions provided by the manufacturer.