

DS508



Flat/Tilt Wall Mount with Media Device Storage For 27" to 60" Flat Panel Screens

The DS508 flat/tilt wall mount is an excellent dual-purpose solution for digital signage commercial applications, providing media controller housing and access as well as security features to protect your investment. The mount offers varying degrees of tilt for optimum viewing angles to provides the perfect viewing position. The open wall plate design gives plenty of wall access for installation of electrical outlets and running of input cables. Its box style design finishes off the look by hiding cables and external components from view for a truly clean, clutter-free installation. The bottom disengaging design allows the display to have a negative tilt enabling quick and easy access to the control equipment without having to remove the display. It comes standard with VESA® 100/200mm compliant mounting hole patterns and is compatible with Peerless' PLP adapter technology to accommodate a variety of flat panel displays. Functionality, a special housing area and security combined with serviceability make the DS508 the ideal solution for a variety of digital display applications.



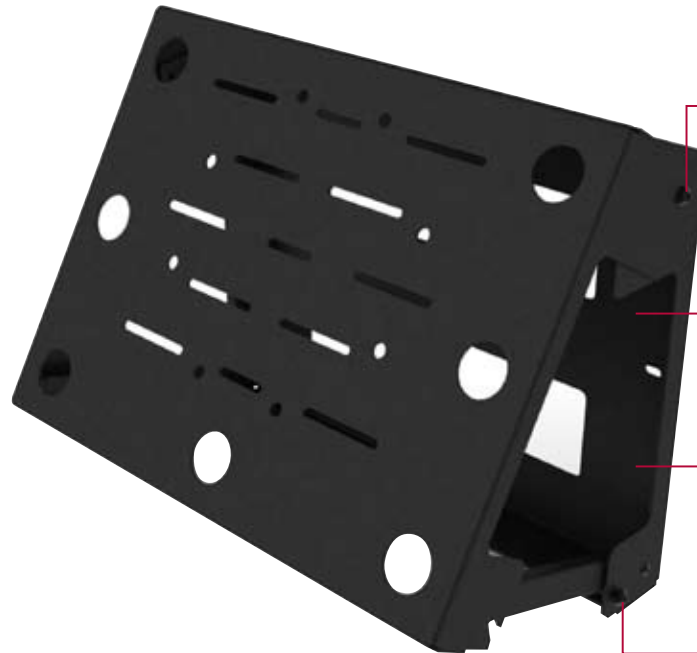
Screen size: 27"-60"



Max load: 200lb (91kg)

FEATURES

- Rated to 200lb (91kg) for dual studs, 60lb (27kg) for single metal stud
- PLP compatible
- VESA® 100 x 100, 200 x 200, 200 x 100 and 200 x 200mm compliant
- Tilts at 0, 5, & 10 degrees
- Accommodates media device up to 3.95" x 14.9" x 13.3" (100 x 378 x 337mm)
- The media device can be removed from the bottom if replacement, repair, or maintenance is necessary without having to remove the TV
- Screens can be mounted in both landscape and portrait



ADJUSTABLE VIEWING ANGLE
0, 5, and 10 degree forward tilt options

COMPONENT STORAGE
Houses and stores computers, media controllers, and graphics drivers

SIDE ACCESS
Allows for quick content changes, fast installation, removal, replacement of media device connections and wiring

PROP BARS
Prop bars lower to brace the screen up and out media device replacement, maintenance, or repair



Full Tilt



Media Device Access



DS508: Flat/Tilt Wall mount with Media Device Storage for 27" to 60" Flat Panel Screens

Product Specifications

	DIMENSIONS (W x H x D)	PRODUCT WEIGHT	LOAD CAPACITY	FINISH	AVAILABLE COLORS
DS508	18.27" x 13.77" x 4.75" (464 x 350 x 121mm)	19 lb (8.6kg)	200 lb (91kg)	Scratch resistant fused epoxy	Black

Package Specifications

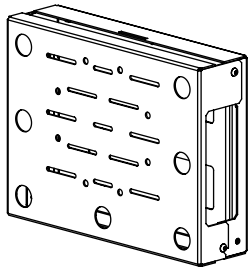
	PACKAGE SIZE (W x H x D)	PACKAGE SHIP WEIGHT	PACKAGE UPC CODE	PACKAGE CONTENTS	UNITS IN PACKAGE
DS508	23.88" x 22.38" x 5.13" (607 x 568 x 131mm)	24.3 lb (11.1 kg)	735029258186	Wall mount and fasteners	1

Accessories

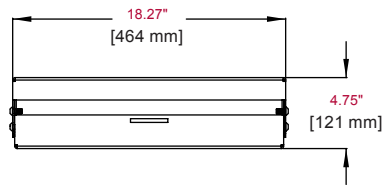
PLP unit: As required by screen selection

All dimensions = inch (mm)

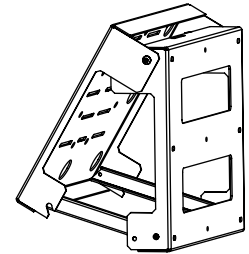
* Wall interference could prohibit quick computer access for screens over 40"



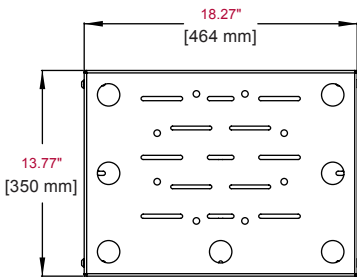
FRONT ISO VIEW



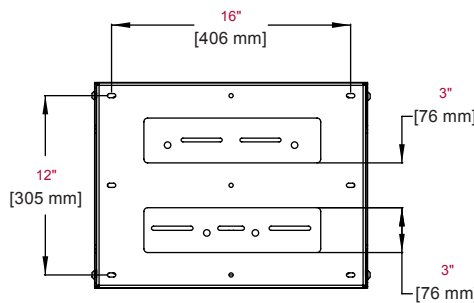
TOP VIEW



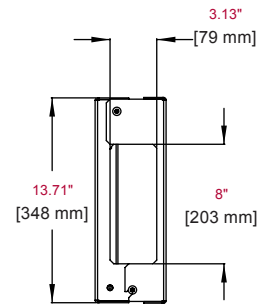
ACCESS VIEW



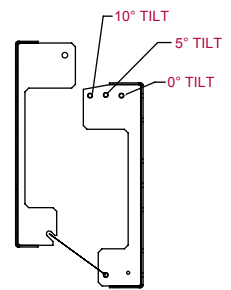
FRONT VIEW



BACK VIEW



SIDE VIEW



SIDE VIEW TILT

ARCHITECTS SPECIFICATIONS

The Custom Wall Mount shall be a Peerless model DS508 and shall be attached where indicated on the plans. Assembly and installation shall be done according to the instructions provided by the manufacturer.