

# Installation and Assembly - Adapter Bracket for VESA® 200 x 200 Screens

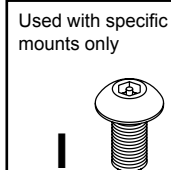
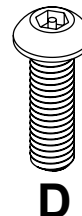
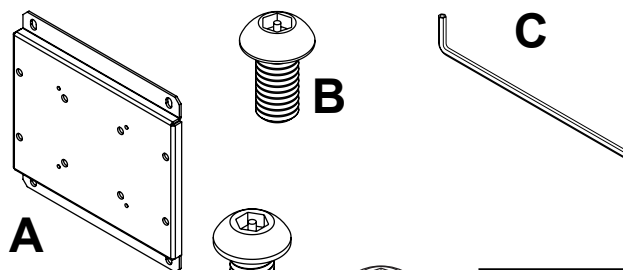
Model: PLP-V2X2

**IMPORTANT!** Read entire instruction sheet before you start installation and assembly.

Maximum Load Capacity : 125 lbs (57 kg)

## Parts List

Description	Qty	Part #
A adapter bracket	1	202-1063
B M6 x 12mm socket pin screw	4	520-1050
C 4mm allen wrench	1	560-9646
D M6 x 20mm socket pin screw	4	520-9554
E M8 x 10mm socket pin screw	4	520-1706
F M4 x 8mm serrated washer head screw	4	510-1005
G #10 SAE washer	4	540-9400
H M4 x 12mm serrated washer head screw	4	510-1079
I M5 x 10mm socket pin screw	4	520-1063

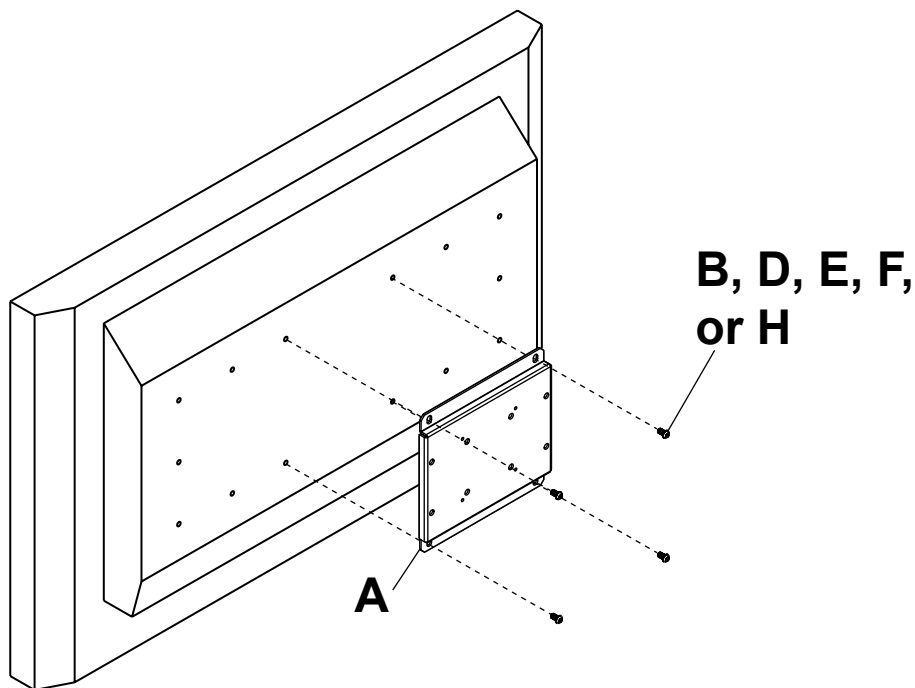


Some parts may appear slightly different than illustrated.

## ⚠ WARNING

- Do not overtighten! Overtightening may cause permanent damage to the screen. Torque to 26-35 in • lb (30-40 kg • cm).

- Begin with shortest length screw (E or F), hand thread through adapter plate into screen as shown below. Screw must make at least three full turns into screen insert and fit snug into place. Do not over tighten. If screw cannot make three full turns into screen insert, select a longer length screw (B, D or H). Repeat for remaining holes.



#10 washer (G) is only to be used with M4 x 8 mm socket pin serrated washer head screw (F), M4 x 12 mm socket pin serrated washer head screw (H) or M5 x 10mm socket pin screw (I).

Washer goes between screw and adapter plate.



## 2 Installing Adapter Bracket

Using the hole pattern shown below, attach the adapter plate with four M5 x 10mm screws (I). Tighten screws using 4mm allen wrench (C).

