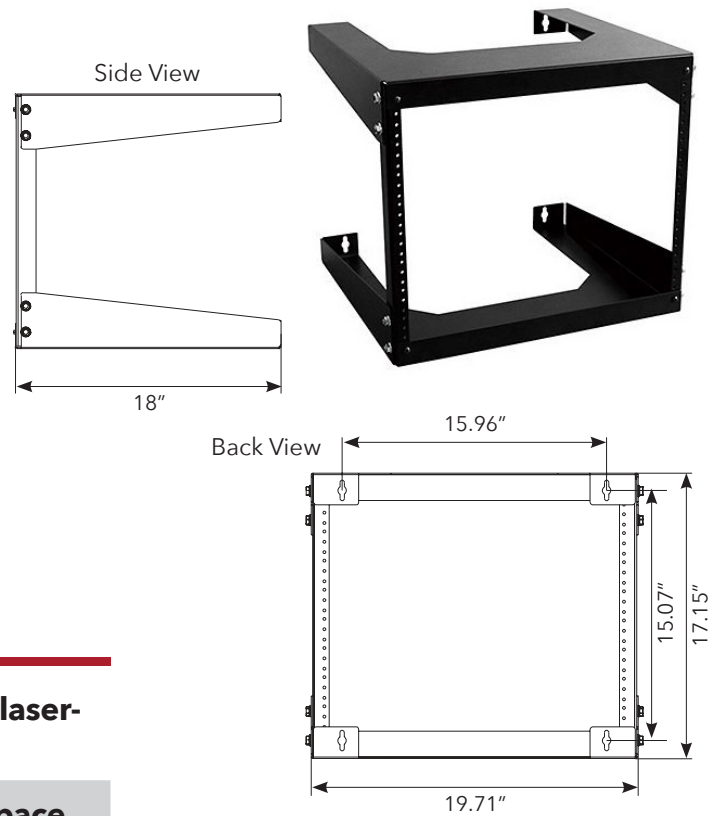


WALL MOUNT RACK

8 RMS

ADI
PRO

This heavy-duty 8U hinged wall mount bracket supports standard 19-inch patch panels, network switches or other data communications equipment for a clean, convenient installation. The unit is constructed from powder coated, cold rolled steel.



FEATURES

Heavy-duty cold rolled steel construction with smooth laser-cut edges that won't damage cable jackets

Ideal for small data and telecom installations with no space for floor standing racks and cabinets

Supports unrestricted airflow and up to 125 lbs. of equipment

Standard 8 rack mount space (RMS) for wide compatibility

EIA/ECA-310-E Compliant

Limited Lifetime Warranty

Product Specifications

PART # OE-WMR8RMS

UPC: 840049300750

Dimensions: 19.71" W x 17.15" H x 18" D

Rack Space: 8U

Weight Capacity: Up to 125 lbs.

Mount: Wall

Materials:

Top and Bottom Supports: 14 GA CRS

Side Rails: 11 GA CRS

Surface Finish: Black Powder Coat



For more information contact your ADI Sales person or visit adiglobal.com/adiexclusivebrands