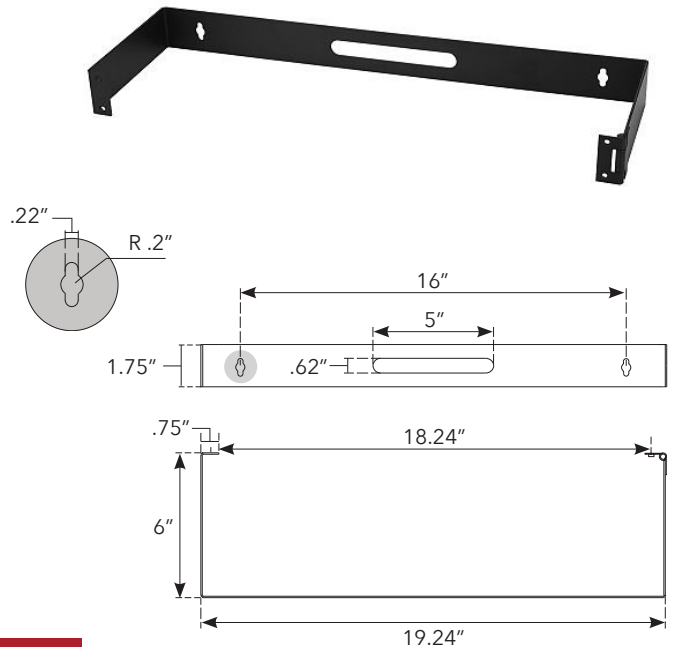


# WALL MOUNT 1U HINGED BRACKET

**ADI  
PRO**

This heavy-duty 1U hinged wall mount bracket supports standard 19-inch patch panels, network switches or other data communications equipment for a clean, convenient installation. The unit is constructed from powder coated, cold rolled steel.



## FEATURES

**Heavy-duty cold rolled steel construction with smooth laser-cut edges that won't damage cable jackets**

**Ideal for home office or small business with no floor space for full-size rack cabinet**

**Hinged side panel for easy equipment access, holes in back allow for rear cable feed through**

**Supports EIA-standard 19" rack equipment**

**1U Height**

**Limited Lifetime Warranty**

## Product Specifications

**PART #** 0E-WMB1U  
**UPC:** 811914029588

**Dimensions:** 19" W x 1.75" H x 6" D

**Rack Space:** 1U

**Weight Capacity:** Up to 10 lbs.

**Mount:** Wall

**Material:** 14 GA CRS

**Surface Finish:** Black Powder Coat



**For more information contact your ADI Sales person or visit [adiglobal.com/adiexclusivebrands](http://adiglobal.com/adiexclusivebrands)**