

LOW VOLTAGE MOUNTING BRACKETS

SINGLE OR DOUBLE GANG, NON-METALLIC



BEFORE INSTALLATION

SAFETY INFORMATION

WARNING: For low voltage class 2 use only.

NOTE: This product and any related components must be installed by a licensed, certified electrician in compliance with all relevant national and local codes and standards.

IN THE BOX

0E-SNGMBLVA (2.5" W x 4.3" H x 1.6" D)

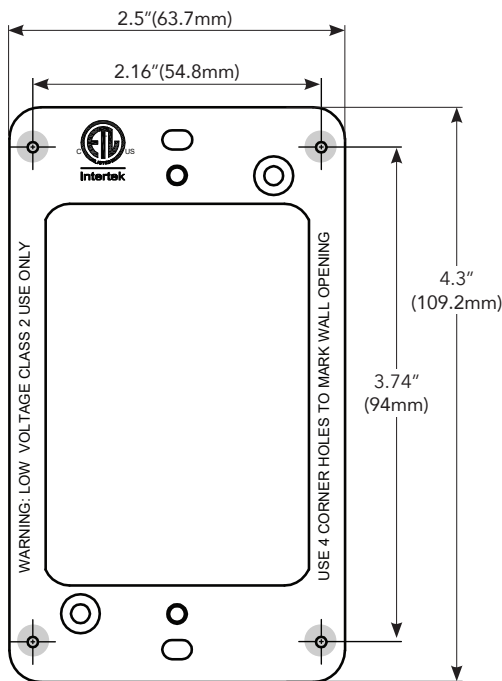
- 10 single gang low voltage mounting brackets
- 20 mounting screws

0E-DBLGMBLVB (4.3" W x 4.3" H x 1.6" D)

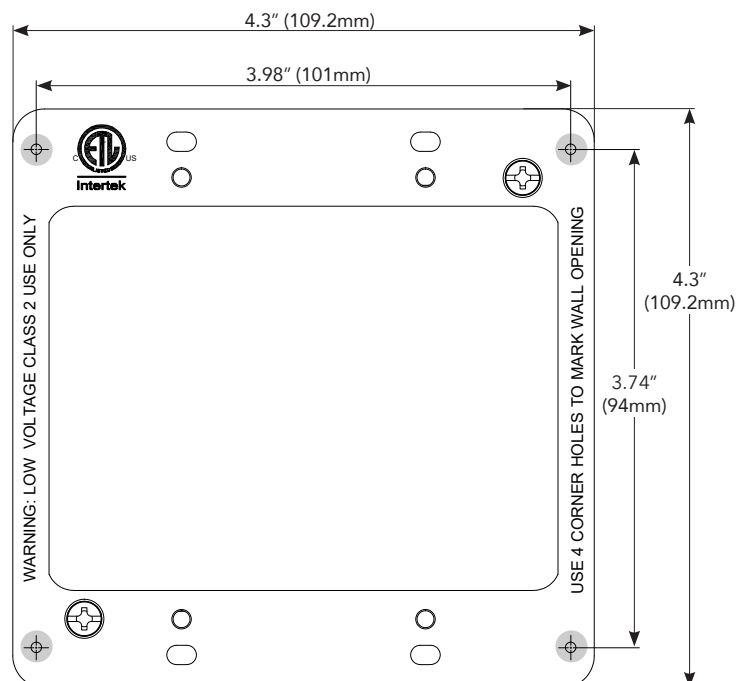
- 5 double gang low voltage mounting brackets
- 10 mounting screws

INSTALLATION INSTRUCTIONS

1. Place the front of the bracket on the wall and level it. Use the **four small holes in the corners of the bracket** to mark 4 points on the wall. Connect the four points and use as a template for the wall cutout.



0E-SNGMBLVA



0E-DBLGMBLVB

NOTE: All units can be mounted vertically or horizontally and adjusted for wall thickness (1/4" to 1").

ADI PRO TECHNICAL SUPPORT

1.833.574.9124

ORDERS

US: 1.800.233.6261

Canada: 1.877.234.7378

PR: 1.787.793.8830

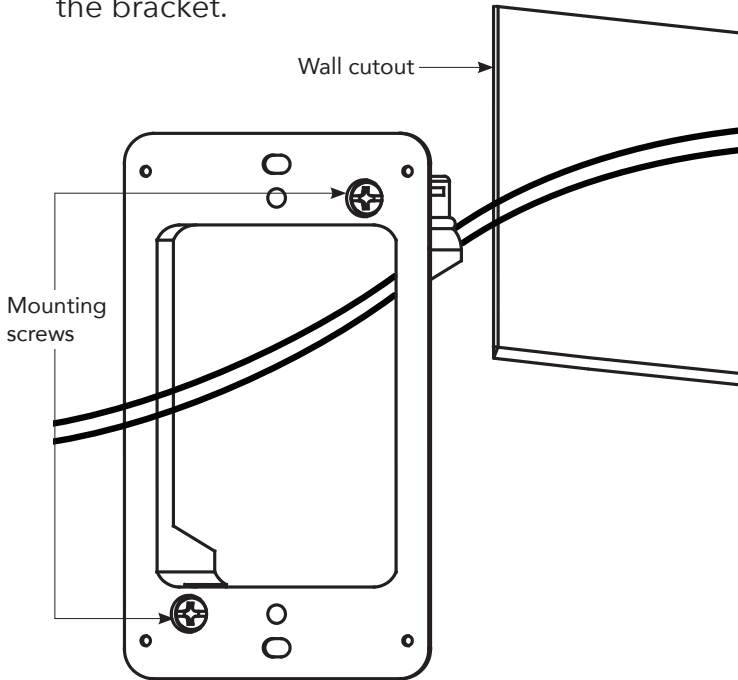
WEBSITE

US: adiglobal.com/adiexclusivebrands

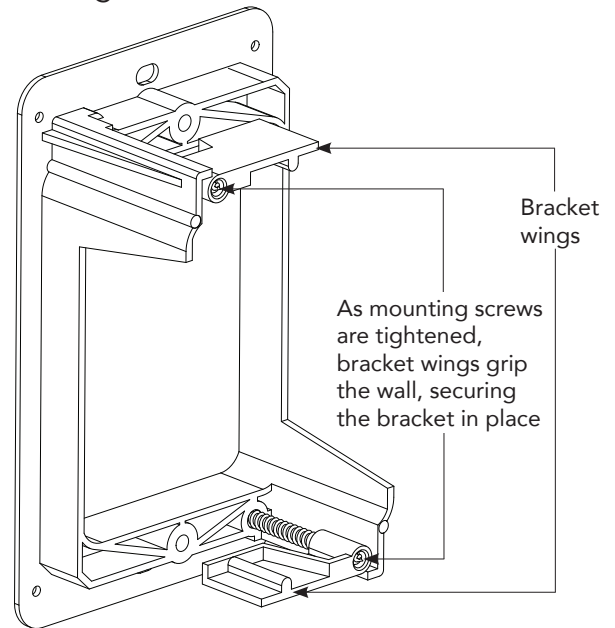
Canada and PR: adiglobal.com

INSTALLATION INSTRUCTIONS (CONT.)

2. Pass wires through the wall cutout and center of the bracket.



3. Secure the bracket to the wall by tightening the two provided mounting screws. Do not overtighten.



4. Secure the desired insert and faceplate to the bracket.