



# Table of Contents

Introduction .....	3
Overview .....	3
Features .....	3
Package Contents.....	4
Panel .....	4
Specification.....	5
Installation and Wiring .....	7
Brackets Installation.....	7
Wiring .....	7
IR Remote Control .....	9
System Code Switch.....	10
RS232 Control .....	10
Limited Warranty .....	11
Introduction .....	15
Aperçu .....	15
Caractéristiques .....	15
Contenu.....	16
Panneau .....	16
Spécifications.....	17
Installation et câblage.....	19
Installation des supports .....	19
Câblage .....	19
Télécommande IR.....	21
Commutateur de code système .....	22
Commande RS232 .....	22
Garantie limitée.....	23
Introducción.....	28
Descripción .....	28
Características .....	28
Contenido del paquete.....	29
Panel .....	29
Especificaciones .....	30
Instalación y cableado .....	32
Instalación de los soporte .....	32
Cableado .....	32
Control remoto infrarrojo .....	33
Conmutador de código del sistema .....	35
Control RS232 .....	35
Garantía limitada.....	36

# Introduction

## Overview

This product is a 4x2 HDMI matrix switcher with HDCP 2.2 compatibility, it allows up to four Ultra HD 4K sources to be independently routed to two Ultra HD displays. It features resolutions up to 4K@60Hz 4:4:4 8bit. It also supports digital optical audio de-embedding from output 2 and analog audio de-embedding from output 1. The switcher also supports ARC function on output 2.

It supports matrix switching control through IR and API commands, EDID management via RS232 interface is also provided, it also allows automatic/manual CEC control to TURN ON/OFF the connected display by input signal status detection.

## Features

- 4 HDMI inputs and 2 HDMI outputs.
- HDCP 2.2 compliant.
- 4K/UHD capability @60Hz with 4:4:4 8bit Chroma sampling.
- Each output supports scaling from 4K to 1080P independently.
- Analog audio de-embedded from output 1.
- Digital audio de-embedded or ARC from TV on HDMI output 2.
- Supports 12bit Deep Color, 3D, Lip Sync and loss-less HD audio formats pass-through.
- Rich control options, include RS232, IR and push button controls.

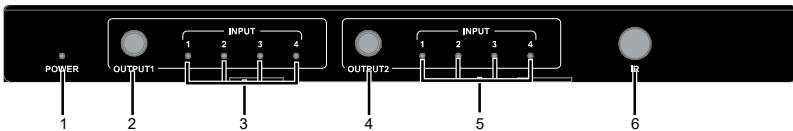
# Package Contents

Before you start the installation of the product, please check the package contents:

- 1 x 0E-HDMIMX2 Matrix
- 1 x DC 5V Power Adapter with US Pins
- 1 x IR Remote
- 1 x Phoenix Male Connector (3.5mm 3-Pin)
- 4 x Mounting Brackets (with Screws)
- 1 x User Manual

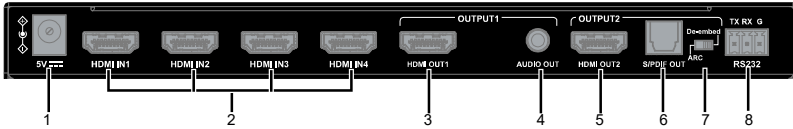
## Panel

### Front Panel



No.	Name	Description
1	POWER LED	<b>ON:</b> The device is powered on. <b>OFF:</b> The device is powered off.
2	OUTPUT 1 SWITCH BUTTON	Click to select input source for Output 1.
3 & 5	INPUT LED (1-4)	<b>ON:</b> HDMI IN (1-4) is selected. <b>OFF:</b> HDMI IN (1-4) is not selected.
4	OUTPUT 2 SWITCH BUTTON	Click to select input source for Output 2.
6	IR WINDOW	Receive IR signals.

## Rear Panel



No.	Name	Description
1	DC 5V	Connect the power supply provided.
2	HDMI IN (1-4)	Connect to the HDMI sources.
3 & 5	HDMI OUT 1 & 2	Connect to HDMI displays such as TV.
4	AUDIO OUT	Connect to audio device such as Amplifier for analog de-embedded audio output from HDMI Out 1.
6	S/PDIF OUT	Connect to audio devices such as AV system for digital de-embedded audio output from HDMI Out 2 or ARC audio output from the TV connected to HDMI Out 2.
7	DIP SWITCH	<b>De-embedded:</b> S/PDIF Out outputs de-embedding from HDMI Out 2. <b>ARC:</b> ARC mode. S/PDIF Out outputs the ARC audio from the TV connected to HDMI Out 2.
8	RS232	Connect to a control PC or control system for RS232 serial control.

## Specification

Technical	
Input/Output port	4 x HDMI IN, 2 x HDMI OUT, 1 x AUDIO OUT, 1 x S/PDIF OUT, 1 x RS232, 1 x DC 5V IN
Video Signal Type	HDMI with 4K@60 4:4:4, HDR 10, HLG & Dolby Vision, HDCP 2.2
Input/Output Resolution Supported	<b>VESA:</b> 800x600 <sup>8</sup> , 1024x768 <sup>8</sup> , 1280x768 <sup>8</sup> , 1280x800 <sup>8</sup> , 1280x960 <sup>8</sup> , 1280x1024 <sup>8</sup> , 1360x768 <sup>8</sup> , 1366x768 <sup>8</sup> , 1440x900 <sup>8</sup> ,

Technical	
	1600x900 <sup>8</sup> , 1600x1200 <sup>8</sup> , 1680x1050 <sup>8</sup> , 1920x1200 <sup>8</sup> <b>SMPTE:</b> 720x576P <sup>6</sup> , 1280x720P <sup>6,7,8</sup> , 1920x1080P <sup>2,5,6,7,8</sup> , 3840x2160 <sup>2,3,5,6,8</sup> , 4096x2160 <sup>2,3,5,6,8</sup> 2 = at 24 Hz, 3 = at 25 Hz, 5 = at 30 Hz, 6 = at 50 Hz, 7 = at 59.94 Hz, 8 = at 60 Hz
Audio Format Supported	<b>HDMI IN/OUT:</b> Fully supports audio formats in HDMI 2.0 specification, including PCM 2.0/5.1/7.1, Dolby TrueHD, Dolby Atmos, DTS HD Master Audio and DTS:X <b>AUDIO OUT:</b> Only support PCM 2.0 <b>S/PDIF OUT:</b> Support PCM 2.0/5.1, Dolby digital and DTS up to 5.1 Channel
Maximum Data Rate	18Gbps
Maximum Pixel Clock	600MHz
Control Method	IR, RS232, Front Panel Button

General	
Operating Temperature	0°C to 45°C (32°F to 113°F)
Storage Temperature	-20°C to 70°C (-4°F to 158°F)
Humidity	10% to 90%, non-condensing
ESD Protection	Human-body Model: ±8kV (Air-gap discharge)/ ±4kV (Contact discharge)
Power Supply	DC 5V 1A
Power Consumption (Maximum)	3.3W
Device Dimension (W x H x D)	22.0cm x 2.1cm x 10.02cm/8.66'' x 0.83'' x 3.94''
Product Weight	0.48kg/1.06lbs

### Transmission Distance

Cable Type	Range	Supported Video
HDMI	Input:15m/50ft Output: 10m/33ft	1080P@60Hz
	Input/Output: 10m/33ft	4K@30Hz
	Input/Output: 5m/16ft	4K@60Hz 4:4:4

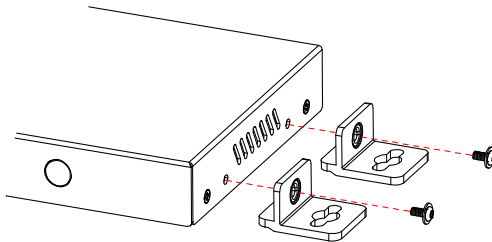
# Installation and Wiring

## Brackets Installation

**Note:** Before installation, please ensure the device is disconnected from the power source.

### Steps to install the device in a suitable location:

1. Attach the installation bracket to the enclosure using the screws provided in the package separately.
2. The bracket is attached to the enclosure as shown.



3. Repeat steps from 1 to 2 for the other side of the unit.
4. Mount and secure the unit to a surface or a suitable location with the mounting screws (provided by others).

## Wiring

### Warnings:

- Before wiring, disconnect the power from the device.
- During wiring, connect and disconnect the cables gently.

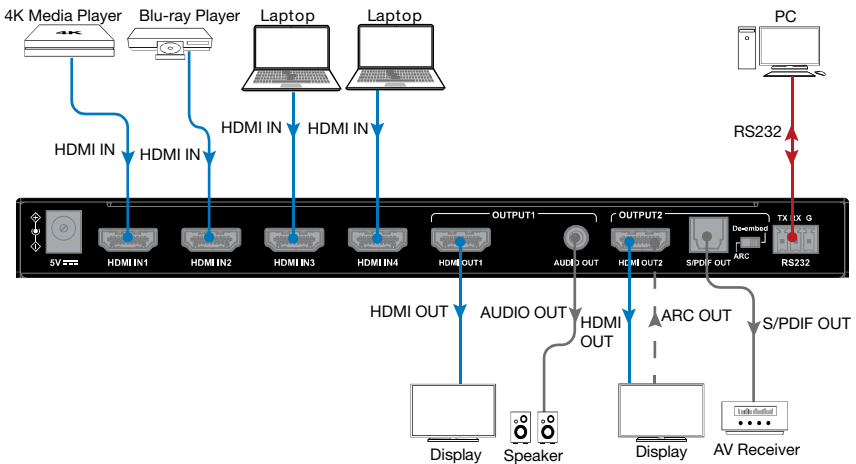
### Steps for device wiring:

1. Connect HDMI sources (such as Media player, Blu-ray player, etc.) to HDMI IN 1~4 ports.
2. Connect HDMI displays (TV, Monitor, Projector, etc.) to HDMI OUT 1~2 ports.

3. Connect a digital audio receiver to S/PDIF OUT port, and connect an analog audio receiver to AUDIO OUT port.
4. Connect a control PC or control system to RS232 port (more information, please refer to “RS232 Control” section).
5. Connect to the power adapter provided.
6. Power on all devices.

**Note:**

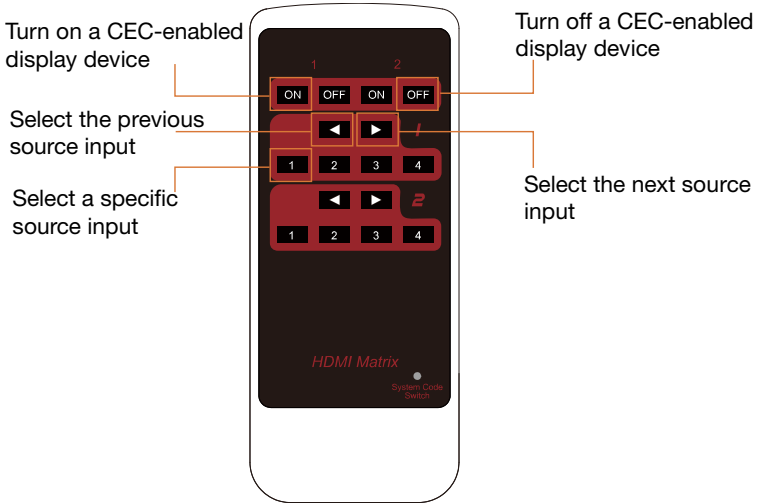
- Slide the DIP switch to De-embedded mode, the S/PDIF OUT of OUTPUT 2 will output the digital de-embedded audio from HDMI OUT 2.
- Slide the DIP switch to ARC mode, the S/PDIF OUT of OUTPUT 2 will output the ARC audio from the TV connected to HDMI OUT 2.





# IR Remote Control

The included remote-control handset can be used to turn on and off a CEC-enabled display device and to switch the HDMI source for each display device.



## The IR Code of the IR Remote:

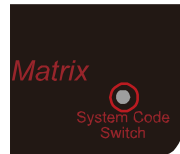
Function	Output port	Specific function	Original code
CEC ON/OFF	OUT 1	ON	0X09
		OFF	0X1D
CEC ON/OFF	OUT 2	ON	0X1F
		OFF	0X0D
Left/Right Switch	OUT 1	Left	0X1B
		Right	0X11
Left/Right Switch	OUT 2	Left	0X55
		Right	0X48
Specific switch	OUT 1	IN 1	0X17
		IN 2	0X12
		IN 3	0X59
		IN 4	0X08
Specific switch	OUT 2	IN 1	0x5E
		IN 2	0x06
		IN 3	0x05
		IN 4	0x03

**Note:**

- As the internal battery inside the remote control of our device is packaged by insulation slice, please remove the insulation slice before use.
- Please make sure that the remote is pointed directly at the IR receiver window.

## System Code Switch

The IR Remote provided with the Matrix is shipped in “00” IR system code. In the event that Remote’s IR signal interferes with IR devices, e.g. TV, DVD player, the Remote can be switched to “4E” code by short pressing the System Code Switch on the Remote panel. At the same time, you must redefine the IR system code of the Matrix using the API command.



## RS232 Control

Advanced users may need to control the matrix through RS232 serial communication. Connect a control PC or control system to the RS232 port of the switcher. API command for RS232 control is available in the separate document “API Command Set\_0E-HDMIMX2”. A professional RS232 serial interface software (e.g. Serial Assist) may be needed as well.

Before executing the API command through RS232 serial connection, please ensure RS232 interface of the device and the control PC are configured correctly.

Parameters	Value
Baud Rate	115200 bps
Data Bits	8 bits
Parity	None
Stop Bits	1 bit
Flow Control	None

# Limited Warranty

## 1. Limited Warranty

### a. General

Subject to the terms and conditions of this Limited Warranty, from the date of sale through the period of time for product categories specified in Section 1(b), ADI warrants AVARRO branded products to be free from defects in materials and workmanship under normal use and service, normal wear and tear excepted. Except as required by law, this Limited Warranty is only made to Buyer and may not be transferred to any third party.

ADI shall have no obligation under this Limited Warranty or otherwise if:

- (i) The product is improperly installed, applied or maintained;
- (ii) The product is installed outside of stated operating parameters, altered, or improperly serviced or repaired;
- (iii) Damage is caused by outside natural occurrences, such as lightning, power surges, fire, floods, acts of nature, or the like.
- (iv) Defects resulting from unauthorized modification, misuse, vandalism, or other causes unrelated to defective materials or workmanship, or failures related to batteries of any type used in connection with the products sold hereunder.

ADI only warrants those products branded AVARRO and sold by ADI. Any other products branded by third parties are warranted by the third party manufacturer for a period as defined by the third party manufacturer, and ADI assigns to Buyer those warranties and only those warranties extended by such third party manufacturers or vendors for non-ADI branded products. ADI does not itself warrant any non-ADI branded product and sells only on an as is basis in accordance with ADI's terms and conditions of sale.

b. Specific Warranties for product categories are as follows:

<b>Product Categories</b>	<b>Warranty Period</b>
HDMI Distribution	2 years

## 2. EXCLUSION OF WARRANTIES, LIMITATION OF LIABILITY

THERE ARE NO WARRANTIES OR CONDITIONS, EXPRESS OR IMPLIED, OF MERCHANTABILITY, OR FITNESS FOR A PARTICULAR PURPOSE OR OTHERWISE, WHICH EXTEND BEYOND THE DESCRIPTION ON THE FACE HEREOF. TO THE FULLEST EXTENT PERMITTED BY LAW, IN NO CASE SHALL ADI BE LIABLE TO ANYONE FOR ANY (I) CONSEQUENTIAL, INCIDENTAL, INDIRECT, SPECIAL, OR PUNITIVE DAMAGES ARISING OUT OF OR RELATING IN ANY WAY TO THE PRODUCT AND/OR FOR BREACH OF THIS OR ANY OTHER WARRANTY OR CONDITION, EXPRESS OR IMPLIED, OR UPON ANY OTHER BASIS OF LIABILITY WHATSOEVER, EVEN IF THE LOSS OR DAMAGE IS CAUSED BY ADI'S OWN NEGLIGENCE OR FAULT AND EVEN IF ADI HAS BEEN ADVISED OF THE POSSIBILITY OF SUCH LOSSES OR DAMAGES. Any product description (whether in writing or made orally by ADI or ADI's agents), specifications, samples, models, bulletin, drawings, diagrams, engineering sheets, or similar materials used in connection with the Buyer's order are for the sole purpose of identifying ADI's products and shall not be construed as an express warranty or condition. Any suggestions by ADI or ADI's agents regarding use, applications or suitability of the products shall not be construed as an express warranty or condition unless confirmed to be such in writing by ADI. ADI does not represent that the products it sells may not be compromised or circumvented; that the products will prevent any personal injury or property loss by burglary, robbery, fire or otherwise, or that the products will in all cases provide adequate warning or protection. Buyer understands and will cause its customer to understand that a properly installed and maintained product is not insurance or guarantee that such will not cause or lead to personal injury or property loss. CONSEQUENTLY, ADI SHALL HAVE NO LIABILITY FOR ANY PERSONAL INJURY, PROPERTY DAMAGE OR OTHER LOSS BASED ON ANY CLAIM AT ALL INCLUDING A CLAIM THAT THE PRODUCT FAILED TO GIVE WARNING. However, if ADI is held liable whether directly or indirectly for any loss or damage with respect to the products it sells, regardless of cause or origin, its maximum liability shall not in any case exceed the purchase price of the product, which shall be fixed as liquidated damages

and not as a penalty and shall be the complete and exclusive remedy against ADI.

### **3. Limitation on Liability to Buyer's Customers.**

Buyer agrees to limit liability to its customers to the fullest extent permitted by law. Buyer acknowledges that ADI shall only be deemed to give consumers of its products such statutory warranties as may be required by law and at no time shall Buyer represent to its customers and/or users of ADI products that ADI provides any additional warranties. By accepting the products, to the fullest extent permitted by law, Buyer assumes all liability for, and agrees to indemnify and hold ADI harmless against and defend ADI from, any and all suits, claims, demands, causes of action and judgments relating to damages, whether for personal injury or to personal property, suffered by any person, firm, corporation or business association, including but not limited to, Buyer's customers and/or users of the products because of any failure of the products to detect and/or warn of the danger for which the goods were designed or any other failure of the products whether or not such damages are caused or contributed to by the sold or joint concurring negligence or fault of ADI.

### **4. Returns**

Subject to the terms and conditions listed below, during the applicable warranty period, ADI will replace Product or provide a credit at purchase at its sole option free of charge any defective products returned prepaid. Any obligations of ADI to replace Limited Lifetime warranty products pursuant to this warranty which result from defect are limited to the availability of replacement product. ADI reserves the right to replace any such products with the then currently available products, or provide a credit in its sole discretion. In the event Buyer has a problem with any ADI product, please call your local ADI branch for return instructions:

For US call 1-800-233-6261

For Canada call 877-234-7378

For Puerto Rico call 787-793-8830

Be sure to have the model number and the nature of the problem available. In the event of replacement, the return product will be credited to Buyer's account and a new invoice issued for the replacement item. ADI reserves the right to issue a credit only in lieu of replacement.

If any AVARRO branded products are found to be in good working order or such product's inability to function properly is a result of user damage or abuse, the product will be returned to Buyer in the same condition as received and Buyer shall be responsible for any return freight changes.

#### **5. Governing Law**

The laws of State of New York apply to this Limited Warranty.

#### **6. Miscellaneous**

Where any term of this Limited Warranty is prohibited by such laws, it shall be null and void, but the remainder of the Limited Warranty shall remain in full force and effect.

# Introduction

## Aperçu

Ce produit est une matrice de commutation HDMI 4x2 avec compatibilité HDCP 2.2 qui permet la connexion indépendante jusqu'à quatre sources Ultra HD 4K vers deux écrans Ultra HD. Prend en charge les résolutions jusqu'à 4K à 60 Hz, 4:4:4, 8 bits. Il prend également en charge l'extraction audio optique numérique de la sortie 2 et l'extraction audio analogique de la sortie 1. Le commutateur supporte également la fonction ARC sur la sortie 2.

Il prend en charge le contrôle de la commutation de la matrice par le biais de commandes IR et API, la gestion EDID via l'interface RS232 est également fournie, il permet également le contrôle CEC automatique/manuel pour allumer/éteindre l'écran connecté par la détection du statut du signal d'entrée.

## Caractéristiques

- 4 entrées HDMI/2 sorties HDMI
- Compatible HDCP 2.2.
- Capacité 4K/UHD à 60 Hz avec échantillonnage de la chrominance 4:4:4 8 bits.
- Chaque sortie prend en charge la mise à l'échelle de 4K à 1080P indépendamment
- Extraction de l'audio analogique de la sortie 1
- Extraction de l'audio numérique ou ARC du téléviseur sur la sortie HDMI 2
- Prend en charge les formats 12 bit Deep Color, 3D, Lip Sync et audio HD sans perte
- Les options de contrôle sont nombreuses : RS232, IR et boutons poussoirs.

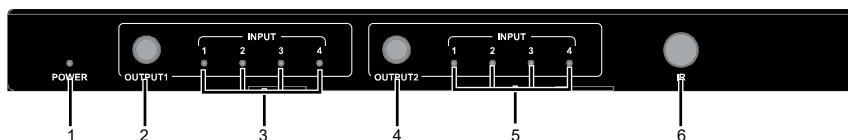
# Contenu

Avant de commencer l'installation de ce produit, veuillez vérifier le contenu de l'emballage :

- 1 x matrice 0E-HDMIMX2
- 1 x Adaptateur électrique 18 VCC avec broches américaines
- 1 x télécommande IR
- 1 x connecteurs mâles Phoenix (3 broches 3,5 mm)
- 4 x supports de montage (avec vis)
- 1 x manuel d'utilisation

## Panneau

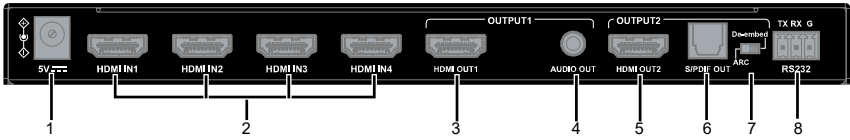
### Panneau avant



N°	Nom	La description
1	VOYANT « POWER » (ALIMENTATION)	Allumé : L'appareil est en marche. Éteint : L'appareil est hors tension.
2	SORTIES 1 BOUTON D'INTERRUPTION	Cliquez pour sélectionner la source d'entrée pour la sortie 1.
3 et 5	VOYANT D'ENTRÉE (1-4)	Allumé : HDMI IN (1-4) sélectionné Éteint : HDMI IN (1-4) non sélectionné.
4	SORTIE 2 BOUTON DE COMMUTATION	Cliquez pour sélectionner la source d'entrée pour la sortie 2.
6	FENÊTRE IR	Réception des signaux IR.



## Panneau arrière



N°	Nom	La description
1	5 VCC	Se connecter à l'adaptateur d'alimentation fourni.
2	HDMI IN (1-4)	Se connecter à des sources HDMI.
3 et 5	HDMI OUT 1 et 2	Connectez-vous à des écrans HDMI tels que la télévision.
4	AUDIO OUT	Connectez-vous à un périphérique audio tel qu'un amplificateur pour une sortie audio analogique désintégrée à partir de la sortie HDMI 1
6	S/PDIF OUT	Connectez-vous à des périphériques audio tels qu'un système AV pour une sortie audio numérique désintégrée de la sortie HDMI Out 2 ou une sortie audio ARC du téléviseur connecté à HDMI Out 2
7	COMMUTATEUR DIP	Extraction : La sortie S/PDIF permet d'extraire à partir de la sortie HDMI 2. ARC : Mode ARC. La sortie S/PDIF émet l'audio ARC du téléviseur connecté à la sortie HDMI 2.
8	RS232	Connectez-vous à un PC de contrôle ou à un système de contrôle pour un contrôle série RS232

## Spécifications

Caractéristiques techniques	
Port d'entrée/de sortie	4 x HDMI IN, 2 x HDMI OUT, 1 x AUDIO OUT, 1 x S/PDIF OUT, 1 x RS232, 1 x DC 5V IN
Type de signal vidéo	HDMI avec 4K à 60 4:4:4, HDR 10, HLG & Dolby Vision, HDCP 2.2
Résolution d'entrée/de	<b>VESA:</b>

Caractéristiques techniques	
sortie prise en charge	800x600 <sup>8</sup> , 1024x768 <sup>8</sup> , 1280x768 <sup>8</sup> , 1280x800 <sup>8</sup> , 1280x960 <sup>8</sup> , 1280x1024 <sup>8</sup> , 1360x768 <sup>8</sup> , 1366x768 <sup>8</sup> , 1440x900 <sup>8</sup> , 1600x900 <sup>8</sup> , 1600x1200 <sup>8</sup> , 1680x1050 <sup>8</sup> , 1920x1200 <sup>8</sup> <b>SMPTE:</b> 720x576P <sup>6</sup> , 1280x720P <sup>6,7,8</sup> , 1920x1080P <sup>2,5,6,7,8</sup> , 3840x2160 <sup>2,3,5,6,8</sup> , 4096x2160 <sup>2,3,5,6,8</sup> 2 = à 24 Hz, 3 = à 25 Hz, 5 = à 30 Hz, 6 = à 50 Hz, 7 = à 59.94 Hz, 8 = à 60 Hz
Formats audio pris en charge	<b>HDMI IN/OUT:</b> Prise en charge complète des formats audio de la spécification HDMI 2.0, dont PCM, Dolby TrueHD, Dolby Atmos, DTS-HD Master Audio, DTS:X <b>AUDIO OUT:</b> Ne prend en charge que PCM 2.0 <b>S/PDIF OUT:</b> Prend en charge PCM 2.0/5.1, Dolby digital et DTS jusqu'à 5.1 canaux
Débit de données maximal	18Gbps
Horloge de pixels maximale	600MHz
Méthode de commande	RS232, IR et boutons poussoirs

Général	
Température de service	0 à 45 °C (32 à 113 °F)
Température de stockage	-20 à 70 °C (-4 à 158 °F)
Humidité	10 % à 90 % (sans condensation)
Protection DES	Modèle du corps humain : ±8 kV (décharge d'entrefer)/ ±4 kV (décharge de contact)
Alimentation	DC 5V 1A
Consommation d'énergie (max.)	3,3 W
Dimensions de l'appareil (l x H x P)	22,0 cm x 2,1 cm x 10,02 cm/8,66 po x 0,83 po x 3,94 po
Poids du produit	0,48 kg/1,06 lbs

### Distance de transmission

Type de câble	Portée	Vidéo prise en charge
HDMI	Entrée: 15 m/50 pi Sortie: 10 m/33 pi	1080P à 60Hz
	Entrée sortie: 10 m/33 pi	4K à 30Hz
	Entrée sortie: 5 m/16 pi	4K à 60Hz 4:4:4

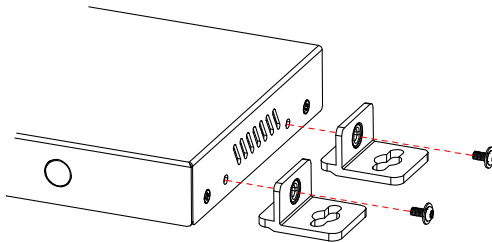
# Installation et câblage

## Installation des supports

Remarque : Avant l'installation, assurez-vous que l'appareil n'est pas branché à une source d'alimentation.

Étapes de pose de l'appareil à un endroit approprié :

1. Fixer le support d'installation au bâti en utilisant les vis qui ont été fournies séparément, dans l'ensemble.
2. Le support est fixé au bâti comme illustré.



3. Répéter les étapes 1 et 2 pour l'autre côté de l'unité.
4. Fixer les supports sur la surface qui tiendra votre unité en utilisant les vis (fournies).

## Câblage

Avertissements :

- Avant de commencer le câblage, coupez l'alimentation de l'appareil.
- Durant le câblage, prenez soin lorsque vous branchez et débranchez les câbles.

Étapes pour le câblage de l'appareil :

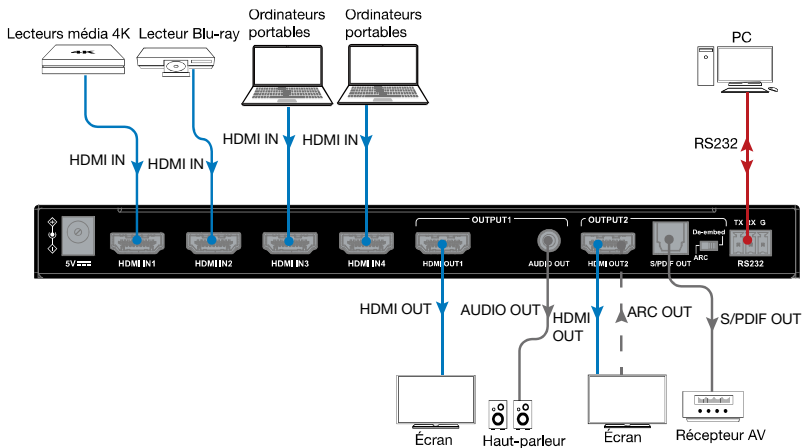
1. Connecter une source HDMI (comme lecteur Media, lecteur Blu-ray, etc.) au port d'entrée HDMI IN 1 à 4.
2. Connecter un écran HDMI (TV, moniteur, projecteur, etc.) au port de sortie

HDMI OUT 1 et 2.

3. Connectez un récepteur audio numérique au port S/PDIF OUT, et connectez un récepteur audio analogique au port AUDIO OUT.
4. Connectez un PC de contrôle ou un système de contrôle au port RS232 (pour plus d'informations, veuillez vous reporter à la section « Contrôle RS232 »).
5. Connecter à l'adaptateur d'alimentation fourni.
6. Alimentez tous les appareils connectés.

Remarque :

- Faites glisser le commutateur DIP à la position d'extraction, la sortie S/PDIF OUT de la sortie 2 émettra l'audio numérique extraite de la sortie HDMI OUT 2
- Faites glisser le commutateur DIP à la position ARC, la sortie S/PDIF OUT de OUTPUT 2 émettra l'audio ARC du téléviseur connecté à HDMI OUT 2



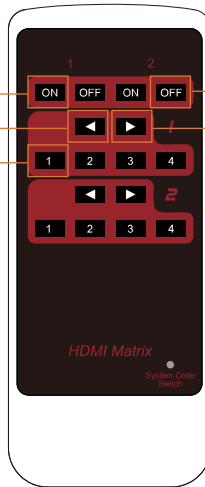
# Télécommande IR

La télécommande incluse peut servir à activer et à désactiver un dispositif d'affichage actionné par CEC et de commuter la source HDMI pour chaque dispositif d'affichage.

Mettre sous tension un périphérique d'affichage compatible CEC

Sélectionner l'entrée source précédente

Sélectionner une entrée source spécifique



Mettre hors tension un périphérique d'affichage compatible CEC

Sélectionner l'entrée de la source suivante

## Le code IR de la télécommande IR :

Fonction	Port de sortie	Fonction spécifique	Code d'origine
CEC MARCHE/ARRÊT	SORTIE 1	MARCHE	0X09
		ARRÊT	0X1D
CEC MARCHE/ARRÊT	SORTIE 2	MARCHE	0X1F
		ARRÊT	0X0D
Commutateur gauche/droite	SORTIE 1	Gauche	0X1B
		Droit	0X11
Commutateur gauche/droite	SORTIE 2	Gauche	0X55
		Droit	0X48
Interrupteur spécifique	SORTIE 1	EN 1	0X17
		EN 2	0X12
		EN 3	0X59
		EN 4	0X08
	SORTIE 2	EN 1	0x5E

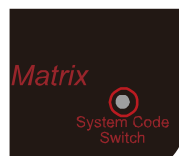
Fonction	Port de sortie	Fonction spécifique	Code d'origine
Interrupteur spécifique		EN 2	0x06
		EN 3	0x05
		EN 4	0x03

Remarque :

- Étant donné que la pile interne de la télécommande de notre appareil est emballée par une tranche d'isolation, veuillez retirer la tranche d'isolation avant de l'utiliser.
- Veuillez à directement pointer la télécommande vers la fenêtre de réception IR.

## Commutateur de code système

La télécommande IR fournie avec la matrice est expédiée en code système IR « 00 ». Dans le cas où le signal IR de la télécommande interfère avec des appareils IR, notamment un téléviseur ou un lecteur DVD, la télécommande peut être commutée au code « 4E » en appuyant brièvement sur le commutateur de code système sur le panneau de la télécommande. En même temps, vous devez redéfinir le code du système IR de la matrice en utilisant la commande API.



## Commande RS232

Les utilisateurs avancés peuvent avoir besoin de contrôler la matrice via la communication série RS232. Connectez un PC de contrôle ou un système de contrôle au port RS232 du commutateur. La commande API pour le contrôle RS232 est disponible dans le document distinct « API Command Set\_0E-HDMIMX2 ». Un logiciel professionnel d'interface série RS232 (comme Serial Assist) peut également être nécessaire.

Avant d'exécuter la commande API via la connexion série RS232, veuillez vous

assurer que l'interface RS232 du dispositif et le PC de contrôle sont correctement configurés.

Paramètres	Valeur
Vitesse de transmission	115200 bauds/s
Bits de données	8 bits
Parité	Aucun
Bits d'arrêt	1 bit
Contrôle de débit	Aucun

# Garantie limitée

## 1. Garantie limitée

### a. Général

Soumis aux conditions générales de cette garantie limitée à partir de la date de vente pour la durée des catégories de produits définies à la section 1(b), ADI garantit que ses produits AVARRO sont exempts de défauts de matériel et de fabrication selon un usage normal, à l'exception d'une usure normale. Sauf si la loi l'exige, la présente garantie limitée est offerte uniquement à l'acheteur et ne peut être transférée à un tiers.

En vertu de la présente garantie limitée et autre obligation, ADI n'endossera aucune responsabilité dans les cas suivants :

- (i) le produit est mal installé, mal appliqué ou mal entretenu;
- (ii) le produit est installé de manière non conforme aux paramètres d'utilisation indiqués, est modifié ou est mal entretenu ou réparé;
- (iii) le produit est endommagé suite à des phénomènes naturels extérieurs comme la foudre, une surcharge électrique, un incendie, une inondation, un acte de la nature ou un phénomène similaire;
- (iv) les défauts du produit sont le résultat d'une modification non autorisée, d'une mauvaise utilisation, d'un acte de vandalisme ou d'autres causes non liés aux vices de matériaux ou de fabrication, ou à une

défaillance des piles de quelque type que ce soit utilisées avec les produits vendus aux termes des présentes.

ADI garantit uniquement les produits portant la marque AVARRO et vendus par ADI. Les autres produits portant une marque de tiers sont garantis par le fabricant tiers pendant une période définie par ce dernier, et ADI cède à l'acheteur ces garanties et uniquement les garanties offertes par ces fabricants tiers ou vendeurs à l'égard de produits ne portant pas ses marques. ADI ne garantit pas de produits ne portant pas ses marques et vend ces produits tels quels, conformément à ses modalités de vente.

b. Les garanties particulières applicables aux catégories de produits sont les suivantes :

Catégories de produits	Période de garantie
Distribution HDMI	Garantie 2 ans

## 2. EXCLUSION DE GARANTIES ET LIMITATION DE RESPONSABILITÉ

AUCUNE GARANTIE OU CONDITION, EXPRESSE OU IMPLICITE DE QUALITÉ MARCHANDE OU D'ADAPTABILITÉ À UN USAGE PARTICULIER N'EST OFFERTE, OUTRE LA DESCRIPTION CI-PRÉSENTE. DANS LA PLEINE MESURE PERMISE PAR LA LOI, ADI NE SAURAIT EN AUCUN CAS ÊTRE TENUE RESPONSABLE ENVERS QUICONQUE DES DOMMAGES CONSÉCUTIFS, INDIRECTS, SPÉCIAUX OU PUNITIFS DÉCOULANT DU PRODUIT OU LIÉS À CELUI-CI DE QUELQUE FAÇON QUE CE SOIT ET/OU DU NON-RESPECT DE LA PRÉSENTE GARANTIE OU DE TOUTE AUTRE GARANTIE OU CONDITION, EXPRESSE OU IMPLICITE, OU DE TOUTE AUTRE RÉCLAMATION FONDÉE SUR LA RESPONSABILITÉ, MÊME SI LA PERTE OU LES DOMMAGES SONT CAUSÉS PAR LA NÉGLIGENCE OU LA FAUTE D'ADI ET MÊME SI CETTE DERNIÈRE A ÉTÉ AVISÉE DE LA POSSIBILITÉ QUE DE TELLES PERTES OU DE TELS DOMMAGES SURVIENNENT. Les descriptions de produits (fournies par écrit ou verbalement par ADI ou ses mandataires), caractéristiques techniques, échantillons, modèles, bulletins, dessins, diagrammes, esquisses techniques ou documents similaires utilisés par l'acheteur pour passer une commande visent uniquement à décrire les produits



d'ADI et ne doivent pas être interprétés comme des garanties ou conditions expresses. Les suggestions faites par ADI ou ses mandataires au sujet de l'utilisation, de l'application ou du caractère approprié des produits ne doivent pas être interprétées comme des garanties ou conditions expresses, sauf si ADI confirme par écrit qu'il s'agit de garanties ou de conditions expresses. ADI ne garantit pas qu'il n'y aura aucune atteinte à l'intégrité des produits qu'elle vend ou que les produits qu'elle vend ne seront pas contournés, qu'ils préviendront les blessures ou les pertes matérielles en cas de cambriolage, de vol, d'incendie ou autrement ou qu'ils constitueront dans tous les cas une protection ou un avertissement approprié. L'acheteur comprend qu'un produit dûment installé et entretenu permet uniquement de réduire le risque de cambriolage, de vol ou d'incendie sans avertissement, mais qu'il ne constitue pas une assurance ou une garantie qu'un tel événement ne se produira pas ou qu'il n'entraînera pas des blessures ou des pertes matérielles. PAR CONSÉQUENT, ADI NE SAURAIT ÊTRE TENUE RESPONSABLE DES BLESSURES, DES DOMMAGES MATÉRIELS OU D'AUTRES PERTES FAISANT L'OBJET D'UNE RÉCLAMATION, Y COMPRIS UNE RÉCLAMATION SELON LAQUELLE LE PRODUIT N'AURAIT PAS DONNÉ DE SIGNAL D'AVERTISSEMENT. Toutefois, si ADI est tenue responsable, directement ou indirectement, de pertes ou de dommages à l'égard des produits qu'elle vend, quelle qu'en soit la cause ou l'origine, sa responsabilité n'excédera en aucun cas le prix d'achat du produit, dont le remboursement sera exigé à titre de dommages-intérêts extrajudiciaires et non d'amende, et il s'agira du recours exclusif et intégral pouvant être exercé contre ADI.

### 3. Limitation de la responsabilité envers les clients de l'acheteur.

L'acheteur accepte de limiter la responsabilité à ses clients dans la pleine mesure permise par la loi. L'acheteur reconnaît qu'ADI ne sera réputée avoir fourni aux consommateurs de ses produits que les garanties qui sont exigées par la loi. L'acheteur ne doit en aucun cas déclarer à ses clients et/ou aux utilisateurs des produits d'ADI que cette dernière offre d'autres garanties. Par l'acceptation des produits, l'acheteur assume, dans la pleine mesure permise par la loi, la pleine responsabilité à l'égard de toutes les poursuites, réclamations,

prises en demeure et causes d'action et à l'égard de tous les jugements se rapportant à des dommages-intérêts, que ce soit pour des préjudices personnels ou des dommages matériels, subis par une personne, une firme, une société ou une association commerciale, y compris les clients de l'acheteur et/ou les utilisateurs des produits, en raison de toute omission de la part des produits de déceler le danger pour la détection duquel ils sont conçus et/ou de donner l'alerte de ce danger ou un avertissement de toute autre défaillance des produits, que ces dommages aient été causés par la négligence dont ADI est l'auteur ou le coauteur, et il tiendra ADI à couvert à cet égard et prendra fait et cause pour lui.

#### 4. Retours

Sous réserve des conditions générales énumérées ci-dessous et durant la période de garantie applicable, ADI remplacera ou créditera tout produit défectueux retourné port payé à sa seule discrétion et sans frais. L'obligation qui incombe à ADI de remplacer le produit visé par une garantie à vie limitée aux termes de la garantie en question si celui-ci est défectueux se limite à la disponibilité d'un produit de remplacement. ADI se réserve le droit de remplacer un produit défectueux par le produit qui est disponible à ce moment-là, ou de donner une note de crédit, à son gré. Si l'acheteur a un problème avec un produit d'ADI, il doit appeler sa succursale ADI locale pour connaître la marche à suivre pour retourner le produit.

Aux États-Unis, composer le 1 800 233-6261

Au Canada, composer le 877 234-7378

À Porto Rico, composer le 787 793-8830

N'oubliez pas d'avoir en main le numéro de modèle et la nature du problème. En cas de remplacement, le prix du produit retourné sera porté au crédit du compte de l'acheteur et une nouvelle facture sera établie pour le produit de remplacement. ADI se réserve le droit de donner une note de crédit plutôt que de remplacer le produit.

Si l'on établit que le produit AVARRO n'est pas défectueux ou que son mauvais fonctionnement résulte d'une utilisation abusive ou de dommages causés par l'utilisateur, le produit sera retourné à l'acheteur dans le même état que celui dans lequel il a été reçu et l'acheteur devra acquitter les frais de transport.

#### 5. Droit applicable

Les lois de l'État de New York s'appliquent à la présente garantie limitée.

#### 6. Divers

Si une modalité de la présente garantie limitée est interdite par ces lois, elle sera nulle, mais le reste de la présente garantie limitée demeurera pleinement en vigueur.

# Introducción

## Descripción

Este producto es un conmutador de matriz HDMI 4x2 con compatibilidad con protección de contenido digital de alto ancho de banda (HDCP, por sus siglas en inglés) 2.2 que permite enrutar hasta cuatro fuentes Ultra HD 4K de manera independiente a dos pantallas Ultra HD. Cuenta con resoluciones de hasta 4K a 60 Hz con 4:4:4 de 8 bits. También es compatible con la separación óptica digital de audio desde la salida 2 y con la separación analógica de audio desde la salida 1. Además, el conmutador admite la función de canal de retorno de audio (ARC, por sus siglas en inglés) en la salida 2.

Admite el control de conmutación de la matriz mediante comandos de infrarrojo (IR) e interfaz de programación de aplicaciones (API, por sus siglas en inglés). Asimismo, brinda administración de EDID mediante interfaz RS232 y posibilita el control automático/manual de electrónica de consumo (CEC, por sus siglas en inglés) para ENCENDER/APAGAR la pantalla conectada mediante detección de estado de señal de entrada.

## Características

- 4 entradas HDMI y 2 salidas HDMI.
- Cumple con las normas HDCP 2.2.
- Capacidad de 4K/UHD a 60 Hz con muestreo de crominancia 4:4:4 8 bits.
- Cada salida admite la escala de 4K a 1080P de forma independiente.
- Separación analógica de audio desde la salida 1.
- Separación digital de audio o ARC desde el televisor en la salida 2 de HDMI.
- Compatible con profundidad de color de 12 bits, 3D, sincronización de labios y passthrough de formatos de audio HD con menos pérdida.
- Opciones enriquecidas de control que incluyen RS232, IR y pulsadores.

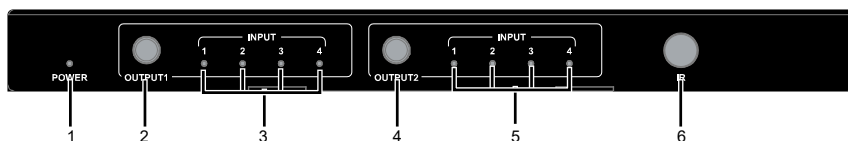
# Contenido del paquete

Antes de comenzar a instalar el producto, verifique el contenido del paquete:

- 1 matriz 0E-HDMIMX2
- 1 adaptador de CC de 5 V con pines para EE. UU.
- 1 control remoto IR
- 1 conector macho Phoenix (3.5 mm de tres pines)
- 4 soportes de montaje (con tornillos)
- 1 manual del usuario

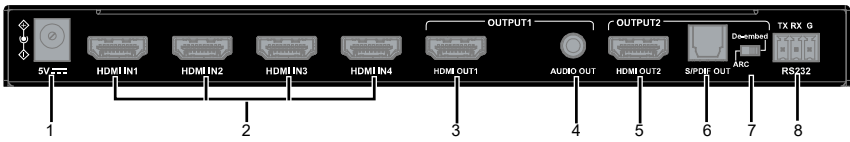
## Panel

Panel frontal



N.º	Nombre	Description
1	LED DE ALIMENTACIÓN	Allumé : L'appareil est en marche. Éteint : L'appareil est hors tension.
2	SALIDA 1 PULSADOR	Hacer clic para seleccionar la fuente de entrada para la salida 1.
3 Y 5	LED DE ENTRADA (1 AL 4)	ENCENDIDO: La entrada HDMI (1 a la 4) está seleccionada. APAGADO: La entrada HDMI (1 a la 4) no está seleccionada.
4	SALIDA 2 PULSADOR	Hacer clic para seleccionar la fuente de entrada para la salida 2.
6	VENTANA IR	Recibir señales de infrarrojo.

## Panel trasero



N.º	Nombre	Description
1	DC 5V	Conectar al adaptador de CC de 5 V provisto.
2	HDMI IN (1-4)	Conéctese a fuentes HDMI.
3 & 5	HDMI OUT 1 & 2	Conéctese a pantallas HDMI como TV.
4	SALIDA DE AUDIO	Conéctese a un dispositivo de audio, como un amplificador, para obtener una salida de audio analógica no incorporada desde la salida HDMI 1.
6	S/PDIF OUT	Conéctese a dispositivos de audio, como el sistema AV, para una salida de audio digital desembebida desde HDMI Out 2 o salida de audio ARC desde el televisor conectado a HDMI Out 2.
7	INTERRUPTOR DIP	Separación: La salida S/PDIF genera la separación de la salida 2 de HDMI. ARC: Modo ARC. La salida S/PDIF genera el audio ARC del televisor conectado a la salida 2 de HDMI.
8	RS232	Conéctese a una PC de control o sistema de control para el control en serie RS232

## Especificaciones

Técnica	
Puerto de entrada/salida	4 x HDMI IN, 2 x HDMI OUT, 1 x AUDIO OUT, 1 x S/PDIF OUT, 1 x RS232, 1 x DC 5V IN
Tipo de señal de video	HDMI con 4K a 60 4:4:4, HDR 10, HLG & Dolby Vision, HDCP 2.2

Técnica	
Resolución de entrada/salida admitida	<b>VESA:</b> 800x600 <sup>8</sup> , 1024x768 <sup>8</sup> , 1280x768 <sup>8</sup> , 1280x800 <sup>8</sup> , 1280x960 <sup>8</sup> , 1280x1024 <sup>8</sup> , 1360x768 <sup>8</sup> , 1366x768 <sup>8</sup> , 1440x900 <sup>8</sup> , 1600x900 <sup>8</sup> , 1600x1200 <sup>8</sup> , 1680x1050 <sup>8</sup> , 1920x1200 <sup>8</sup> <b>SMPTE:</b> 720x576P <sup>6</sup> , 1280x720P <sup>6,7,8</sup> , 1920x1080P <sup>2,5,6,7,8</sup> , 3840x2160 <sup>2,3,5,6,8</sup> , 4096x2160 <sup>2,3,5,6,8</sup> 2 = a 24 Hz, 3 = a 25 Hz, 5 = a 30 Hz, 6 = a 50 Hz, 7 = a 59.94 Hz, 8 = a 60 Hz
Formato de audio admitido	<b>HDMI IN/OUT:</b> Admite sin problemas formatos de audio en especificación HDMI 2.0, incluidos PCM, Dolby TrueHD, Dolby Atmos, DTS-HD Master Audio, DTS:X. <b>AUDIO OUT:</b> Solo es compatible con PCM 2.0 <b>S/PDIF OUT:</b> Admite PCM 2.0 / 5.1, Dolby digital y DTS hasta 5.1 canales
Velocidad máxima de datos	18Gbps
Reloj de píxeles máximo	600MHz
Método de control	RS232, IR y pulsadores

General	
Temperatura operativa	De 0 °C a 45 °C (32 °F a 113 °F)
Temperatura de almacenamiento	De -20 °C a 70 °C (-4 °F a 158 °F)
Humedad	De 10 % a 90 %, sin condensación
Protección contra descargas electrostáticas	Modelo de cuerpo humano $\pm 8$ kV (descarga por espacio de aire)/ $\pm 4$ kV (descarga por contacto)
Fuente de alimentación	DC 5V 1A
Consumo de energía (máx.)	3.3 W
Medidas del dispositivo (ancho x altura x profundidad)	22.0 cm x 2.1 cm x 10.02 cm/8.66" x 0.83" x 3.94"
Peso del producto	0.48 kg/1.06 lbs

### Distancia de la transmisión

Tipo de cable	Rango	Video admitido
HDMI	Entrada: 15 m/50 pies	1080P a 60Hz
	Salida: 10 m/33 pies	
	De entrada y salida: 10 m/33 pies	4K a 30Hz
	De entrada y salida: 5 m/16 pies	4K a 60Hz 4:4:4

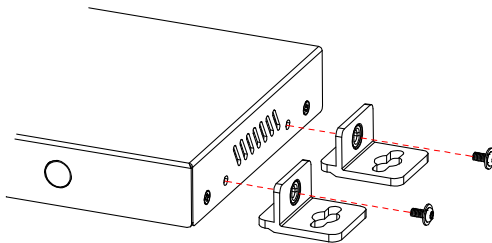
# Instalación y cableado

## Instalación de los soporte

Nota: Antes de la instalación, asegúrese de que el dispositivo esté desconectado de la fuente de alimentación.

Pasos para instalar el dispositivo en un lugar adecuado:

1. Usar los tornillos provistos por separado en el paquete para fijar los soportes de instalación al gabinete.
2. El soporte se fija al gabinete como se muestra.



3. Repetir los pasos 1 y 2 para los otros lados de la unidad.
4. Fijar los soportes a la superficie que quiera para sostener la unidad. Para ello, hay que usar los tornillos (no están incluidos).

## Cableado

Advertencias:

- Antes de cablear, desconectar el equipo de la fuente de alimentación.
- Durante el cableado, conectar y desconectar los cables con cuidado.

Pasos para instalar el dispositivo en un lugar adecuado:

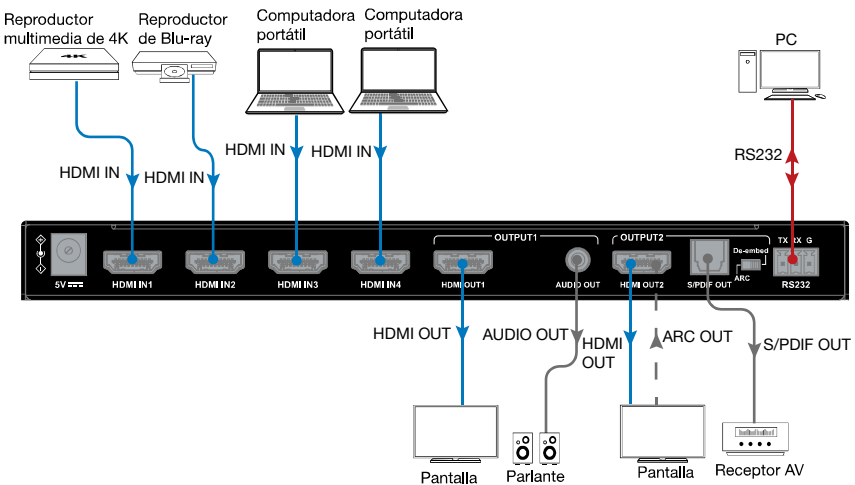
1. Conectar las fuentes HDMI (como un reproductor multimedia, reproductor de Blu-ray, etc.) a los puertos de entrada HDMI 1~4.
2. Conectar las pantallas HDMI (televisor, monitor, proyector, etc.) a los puertos de salida 1~2 HDMI.



3. Conectar un receptor de audio digital al puerto de salida S/PDIF y conectar un receptor de audio analógico al puerto de salida de AUDIO.
4. Conectar una PC de control o un sistema de control al puerto RS232 (para obtener más información, consulte la sección “Control RS232”).
5. Conectar al adaptador de corriente provisto.
6. Encender todos los dispositivos.

Nota:

- Deslizar el interruptor DIP al modo de separación; la salida S/PDIF de la SALIDA 2 emitirá el audio digital separado de la SALIDA 2 de HDMI.
- Deslizar el interruptor DIP al modo ARC; la salida S/PDIF de la SALIDA 2 emitirá el audio ARC del televisor conectado a la SALIDA 2 de HDMI.



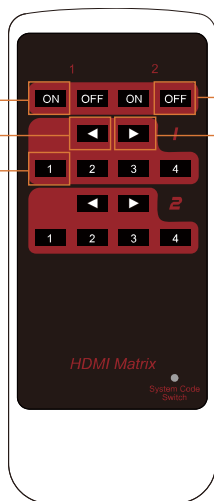
## Control remoto infrarrojo

El control remoto de mano incluido se puede utilizar para encender y apagar un dispositivo con pantalla habilitado para CEC y para conmutar la fuente HDMI de cada dispositivo de visualización.

Encender un dispositivo con pantalla habilitado para CEC

Seleccionar la entrada fuente anterior

Seleccionar una entrada fuente específica



Apagar un dispositivo con pantalla habilitado para CEC.

Seleccionar la siguiente entrada fuente

### El código IR del control remoto IR:

Función	Puerto de salida	Función específica	Código original
CEC ENCENDIDO/APAGADO	SALIDA 1	EN	0X09
		APAGADO	0X1D
CEC ENCENDIDO/APAGADO	SALIDA 2	EN	0X1F
		APAGADO	0X0D
Interruptor izquierdo/derecho	SALIDA 1	Izquierdo	0X1B
		Derecho	0X11
Interruptor izquierdo/derecho	SALIDA 2	Izquierdo	0X55
		Derecho	0X48
Interruptor específico	SALIDA 1	EN 1	0X17
		EN 2	0X12
		EN 3	0X59
		EN 4	0X08
Interruptor específico	SALIDA 2	EN 1	0x5E
		EN 2	0x06
		EN 3	0x05
		EN 4	0x03

Nota:

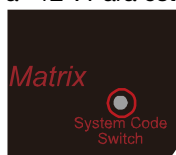
- Dado que la batería interna del control remoto del dispositivo se embala

con material aislante, debe retirarlo antes de usarla.

- Asegúrese de que el control remoto apunte directamente a la ventana del receptor infrarrojo.

## Conmutador de código del sistema

El control remoto infrarrojo que se proporciona con la matriz se envía con el código de sistema infrarrojo "00". En caso de que la señal infrarroja del control remoto interfiera con los dispositivos infrarrojos, como un televisor o reproductor de DVD, se puede cambiar el código del control a "4E". Para esto, presione brevemente el conmutador de código del sistema en el panel del control remoto. Al mismo tiempo, debe redefinir el código del sistema infrarrojo de la matriz mediante el comando de API.



## Control RS232

Es posible que los usuarios avanzados tengan que controlar la matriz a través de la comunicación serial RS232. Conectar una PC de control o sistema de control al puerto RS232 del conmutador. El comando de API para el control RS232 se encuentra disponible en otro documento: "API Command Set\_0E-HDMIMX2". Además, es posible que se necesite un software de interfaz serial profesional RS232 (p. ej., Serial Assist).

Antes de ejecutar el comando de API mediante la conexión serial de RS232, asegúrese de configurar correctamente la interfaz de RS232 del dispositivo y la PC de control.

Parámetros	Valor
Velocidad de transmisión	115,200 bps
Bits de datos	8 bits
Paridad	Ninguna
Bits de parada	1 bit
Control de flujo	Ninguno

# Garantía limitada

## 1. Garantía limitada

### a. General

Sujeto a los términos y condiciones de esta Garantía limitada, desde la fecha de venta hasta el período correspondiente a las categorías de productos especificadas en la Sección 1(b), ADI garantiza que los productos de la marca AVARRO están libres de defectos en los materiales y de mano de obra en condiciones de uso y servicio normales, excepto por el desgaste normal. Salvo que lo exija la ley, esta Garantía limitada se otorga únicamente al Comprador y no puede ser cedida a ningún tercero.

ADI no tendrá ninguna obligación en virtud de esta Garantía limitada ni de ningún otro concepto si:

- (i) El producto se instala, aplica o mantiene de manera incorrecta.
- (ii) El producto se instala fuera de los parámetros de funcionamiento indicados, se altera o es objeto de mantenimiento o reparaciones inadecuados.
- (iii) El daño es causado por sucesos naturales externos, como rayos, sobrecargas eléctricas, incendios, inundaciones, fenómenos de la naturaleza o similares.
- (iv) Los defectos son consecuencia de modificaciones no autorizadas, uso indebido, vandalismo u otras causas no relacionadas con materiales defectuosos ni con defectos de fabricación, o fallas relacionados con baterías de cualquier tipo utilizadas con los productos vendidos según el presente documento.

ADI solo garantiza los productos de la marca AVARRO y vendidos por ADI. Cualquier otro producto con marca de terceros está garantizado por el fabricante externo por un período definido por ese fabricante, y ADI asigna al Comprador esas garantías y solo las garantías otorgadas por dichos fabricantes o proveedores externos para los productos que no son de marca ADI. ADI no garantiza por sí misma ningún producto que no sea de la marca ADI y solo lo

vende "tal como está", de acuerdo con los términos y condiciones de venta de ADI.

b. Las garantías específicas para las categorías de productos son las siguientes:

Categorías de productos	Período de garantía
Distribución HDMI	2 años

**2. EXCLUSIÓN DE GARANTÍAS, LIMITACIÓN DE RESPONSABILIDAD**

NO EXISTEN GARANTÍAS NI CONDICIONES, EXPRESAS O IMPLÍCITAS, DE COMERCIALIZACIÓN O IDONEIDAD PARA UN FIN DETERMINADO O DE OTRO TIPO, QUE VAYAN MÁS ALLÁ DE LA DESCRIPCIÓN QUE FIGURA EN EL PRESENTE DOCUMENTO. EN LA MEDIDA EN QUE LO PERMITA LA LEY, EN NINGÚN CASO ADI SERÁ RESPONSABLE ANTE NADIE DE NINGÚN DAÑO (I) CONSECUENTE, INCIDENTAL, INDIRECTO, ESPECIAL O PUNITIVO QUE SURJA O SE RELACIONE DE ALGUNA MANERA CON EL PRODUCTO Y/O DEL INCUMPLIMIENTO DE ESTA O CUALQUIER OTRA GARANTÍA O CONDICIÓN, EXPRESA O IMPLÍCITA, O SOBRE CUALQUIER OTRA BASE DE RESPONSABILIDAD, AUNQUE LA PÉRDIDA O EL DAÑO SEA CONSECUENCIA DE LA PROPIA NEGLIGENCIA O CULPA DE ADI, Y AUNQUE ADI HAYA SIDO ADVERTIDA DE LA POSIBILIDAD DE TALES PÉRDIDAS O DAÑOS. Cualesquiera sean la descripción del producto (expresada por escrito u oralmente por ADI o por los representantes de ADI), las especificaciones, las muestras, los modelos, el anuncio, los dibujos, los diagramas, las hojas de ingeniería o materiales similares utilizados en relación con el pedido del Comprador tienen el único propósito de identificar los productos de ADI y no se interpretarán como una garantía o condición expresa. Cualquier sugerencia de ADI o de los representantes de ADI en relación con el uso, las aplicaciones o la idoneidad de los productos no se interpretará como una garantía o condición expresa, a menos que ADI la confirme como tal por escrito. ADI no garantiza que los productos que vende no puedan verse comprometidos ni alterados; que los productos impedirán cualquier daño personal o pérdida de propiedad por robo, hurto, incendio u otro motivo, o que los productos

proporcionarán en todos los casos la advertencia o protección adecuada. El Comprador entiende y hará entender a su cliente que un producto correctamente instalado y mantenido no constituye un seguro ni una garantía de que no causará ni provocará daños personales o pérdidas materiales. EN CONSECUENCIA, ADI NO TENDRÁ NINGUNA RESPONSABILIDAD DE LESIONES PERSONALES, DAÑOS A LA PROPIEDAD O CUALQUIER OTRA PÉRDIDA BASADA EN CUALQUIER RECLAMACIÓN, INCLUIDA LA RECLAMACIÓN DE QUE EL PRODUCTO NO HAYA DADO ADVERTENCIA. Sin embargo, si ADI es responsable, directa o indirectamente, de cualquier pérdida o daño con respecto a los productos que vende, independientemente de la causa o el origen, su responsabilidad máxima no superará en ningún caso el precio de compra del producto, que se fijará como daños liquidados y no como una penalización, y constituirá la única y toda medida de reparación contra ADI.

### 3. Limitación de la responsabilidad ante los clientes del Comprador.

El Comprador se compromete a limitar la responsabilidad ante sus clientes en la medida en que lo permita la ley. El Comprador reconoce que solo se considerará que ADI da a los consumidores de sus productos las garantías legales que puedan ser exigidas por la ley y en ningún momento el Comprador manifestará a sus clientes y/o usuarios de los productos de ADI que ADI otorga alguna garantía adicional. Al aceptar los productos, en la medida en que lo permita la ley, el Comprador asume toda la responsabilidad de, y acepta indemnizar y eximir a ADI de responsabilidad y defenderla de, cualesquier y todos los juicios, reclamos, demandas, causas de acción y sentencias relacionadas con daños, ya sea por lesiones personales o a la propiedad personal, sufridos por cualquier persona, firma, corporación o asociación comercial, e incluye, entre otros, a los clientes del Comprador y/o los usuarios de los productos debido a cualquier incumplimiento de los productos en cuanto a detectar y/o advertir del peligro para el cual los bienes fueron diseñados o cualquier otro incumplimiento de los productos, sin importar si la negligencia o culpa individual, colectiva o concomitante de ADI hayan causado o contribuido a tales daños.

#### 4. Devoluciones

Sujeto a los términos y condiciones que se enuncian a continuación, durante el período de garantía aplicable, ADI reemplazará el producto u otorgará un crédito en la compra, a su sola opción, sin cargo alguno, por cualquier producto defectuoso devuelto con franqueo pagado. Cualquier obligación de ADI de reemplazar los productos de la garantía limitada de por vida en virtud de esta garantía que resulte de un defecto está limitada a la disponibilidad del producto de reemplazo. ADI se reserva el derecho de reemplazar cualquiera de esos productos por los productos disponibles en ese momento, o proporcionar un crédito a su entera discreción. En el caso de que el Comprador tenga un problema con cualquier producto de ADI, debe llamar a su sucursal local de ADI a fin de recibir instrucciones para hacer la devolución:

Para Estados Unidos, llame al 1-800-233-6261

Para Canadá, llame al 877-234-7378

Para Puerto Rico, llame al 787-793-8830

Asegúrese de tener a mano el número de modelo y la naturaleza del problema. En caso de reemplazo, el producto devuelto se acreditará en la cuenta del Comprador y se emitirá una nueva factura por el artículo de reemplazo. ADI se reserva el derecho de emitir un crédito solo a cambio del reemplazo.

Si se determina que cualquier producto de la marca AVARRO se encuentra en buen estado de funcionamiento o que la incapacidad de dicho producto para funcionar correctamente es el resultado de daño o uso indebido por parte del usuario, el producto será devuelto al Comprador en las mismas condiciones en que lo recibió y el Comprador será responsable de cualquier costo de envío de la devolución.

#### 5. Ley competente

Esta Garantía Limitada se rige por las leyes del estado de Nueva York.

#### 6. Varios

Cuando dichas leyes prohíban algún término de esta Garantía limitada, este será considerado nulo y sin efecto, pero el resto de la Garantía limitada seguirá teniendo pleno vigor y efecto.

