

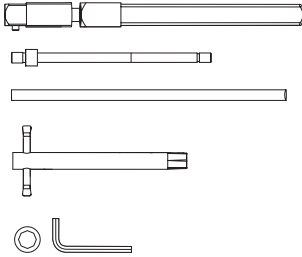
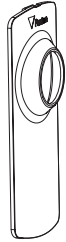
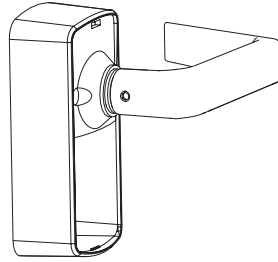
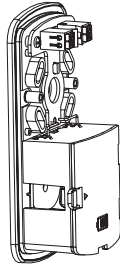
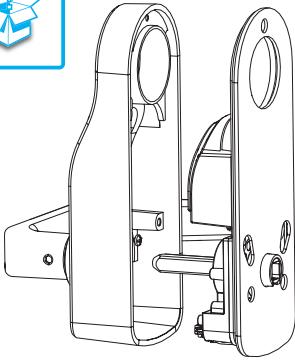


ins-01030

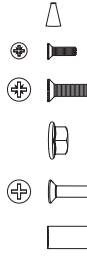




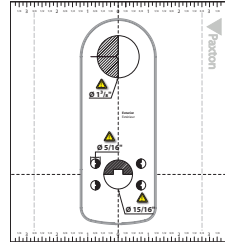
900-640WT-US  
 900-640BL-US  
 900-650WT-US  
 900-650BL-US



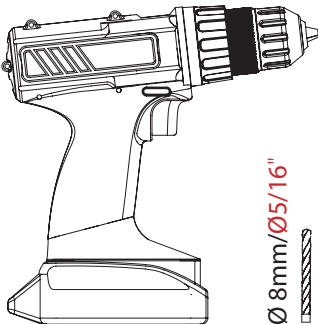
1x  
 2x  
 2x  
 1x  
 1x



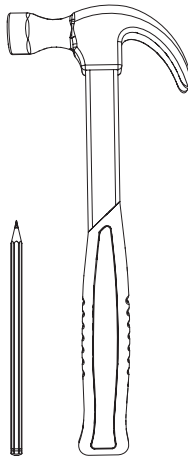
2x  
 1x  
 2x  
 2x  
 2x  
 4x



1x



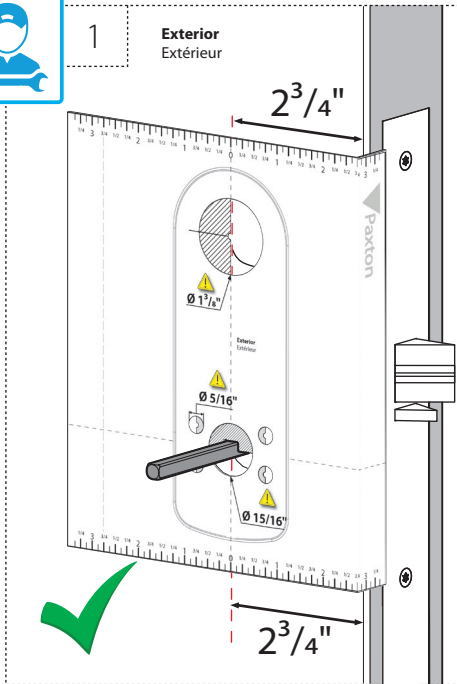
Ø 8mm/Ø5/16"



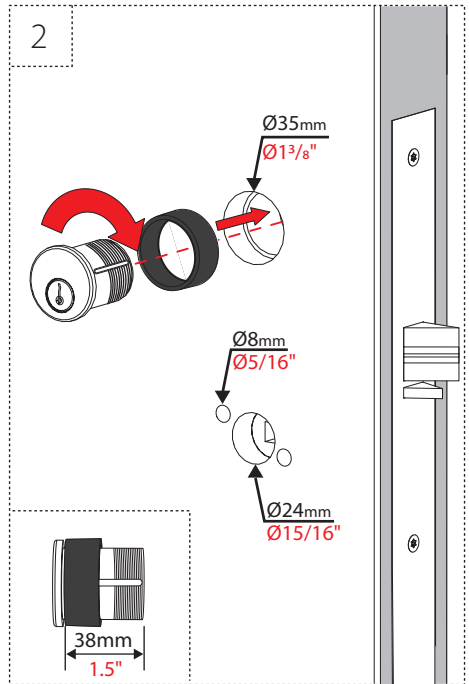


1

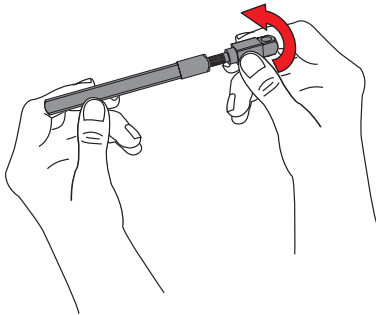
Exterior  
Extérieure



2



3

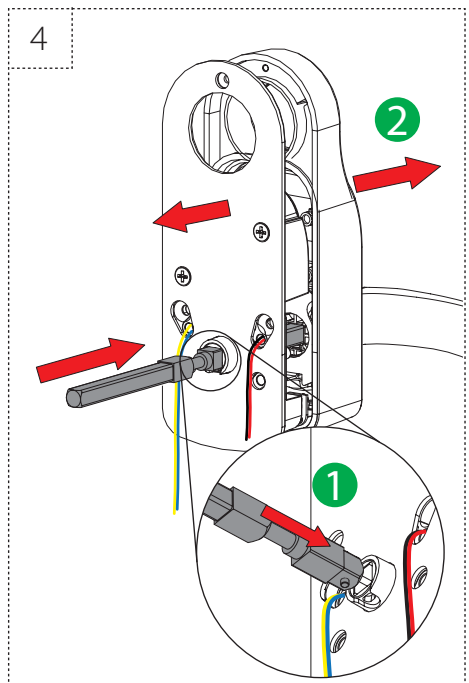


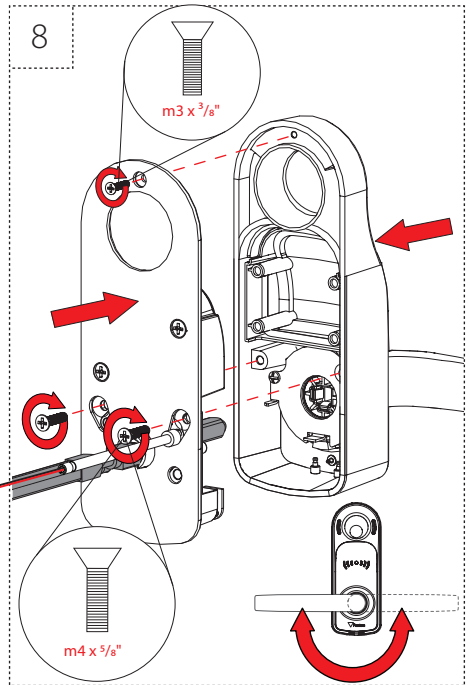
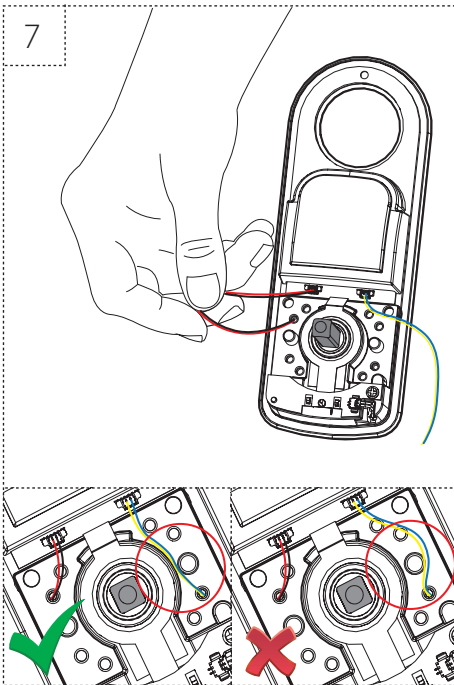
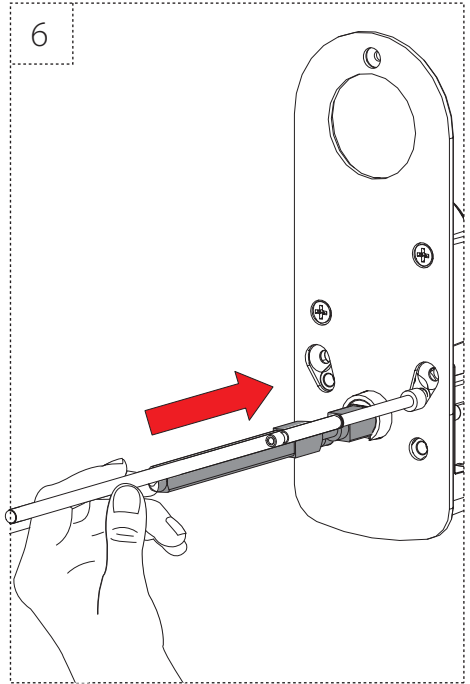
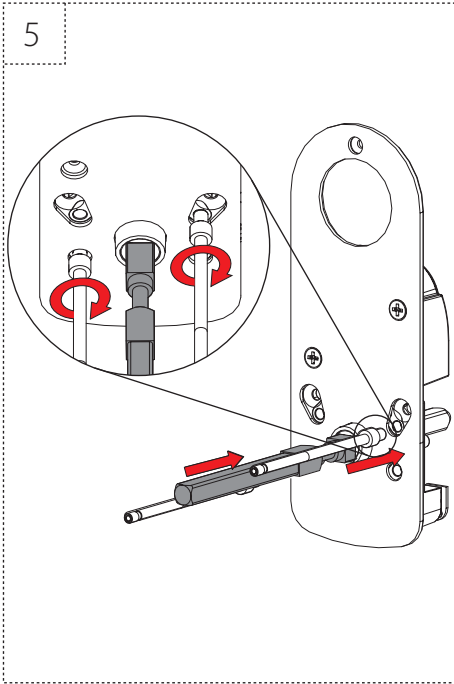
EN Leave at least 1/8" showing so the two parts can freely turn in both directions when fitted.

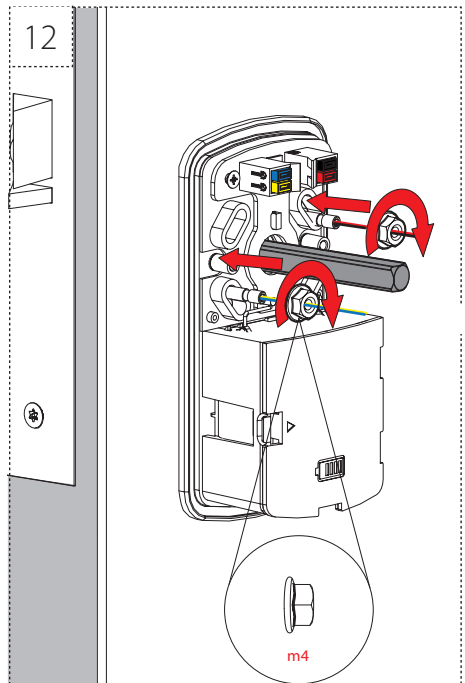
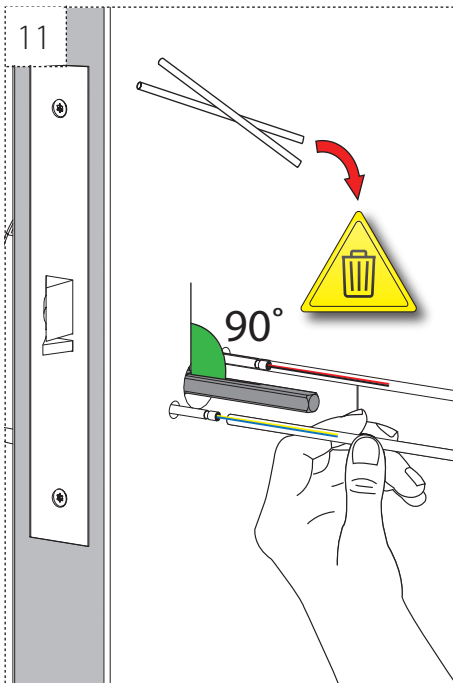
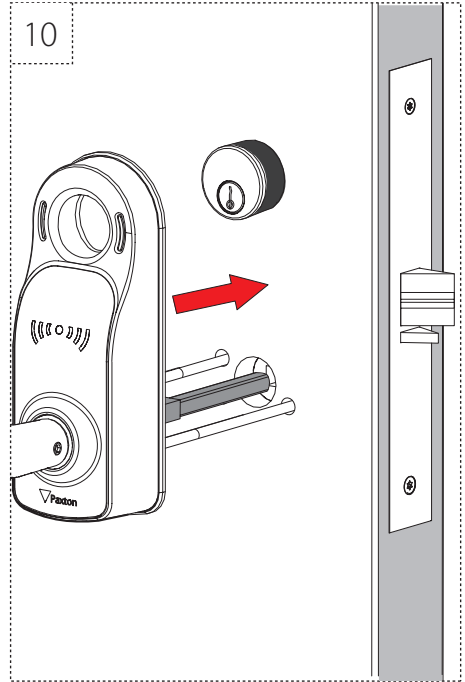
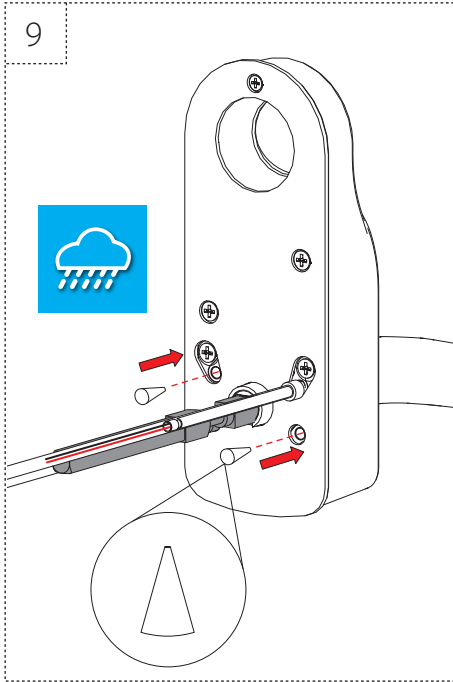
F Laissez minimum 3mm d'écart, tel que les deux composants puissent pivoter librement.

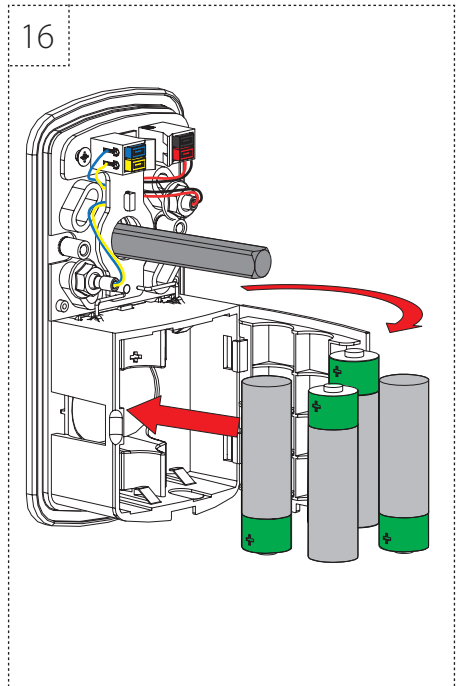
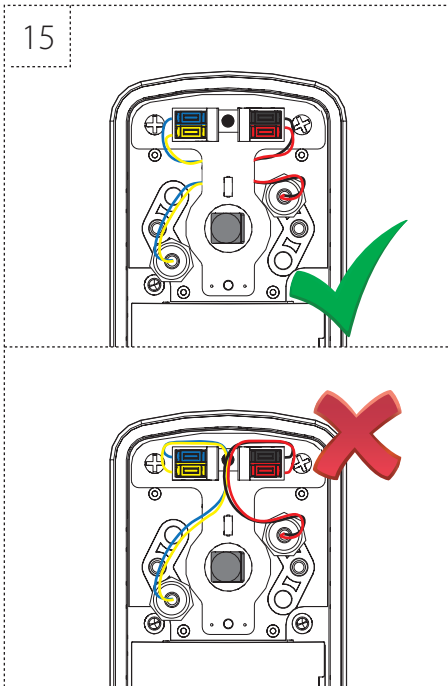
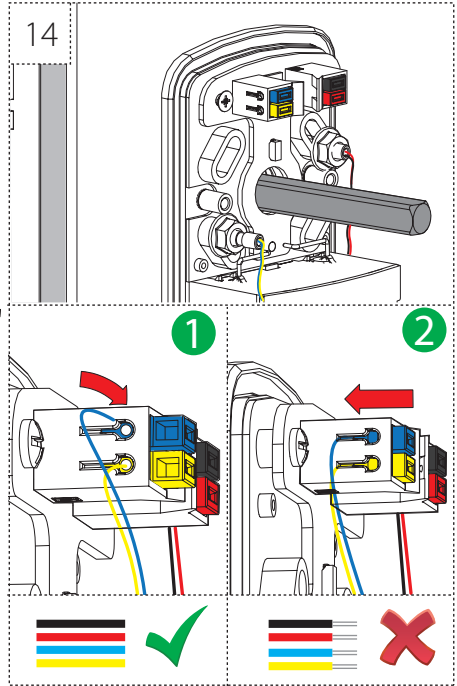
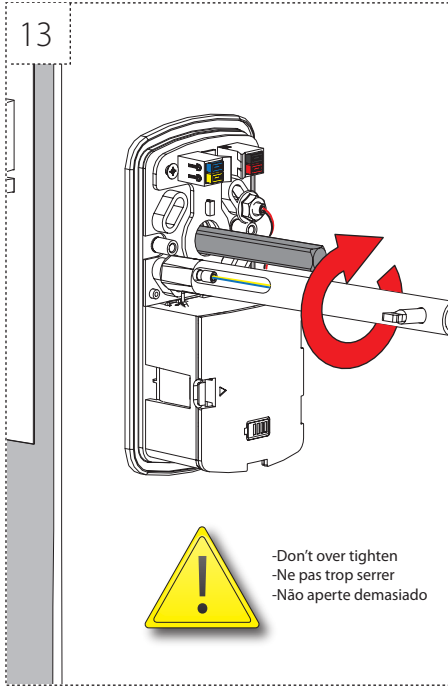
ES Deje al menos 1/8" a la vista para que las dos partes puedan girar libremente en ambas direcciones al encajar.

4

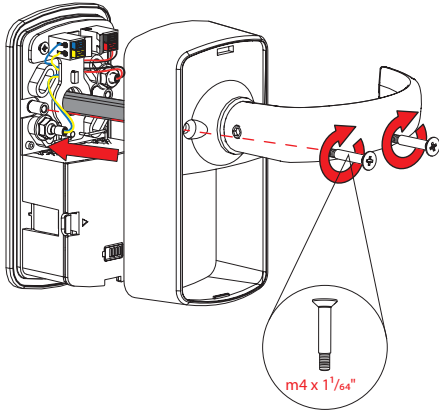




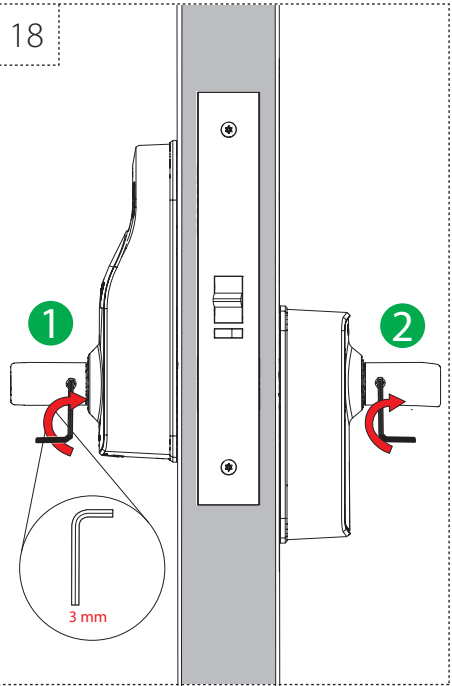




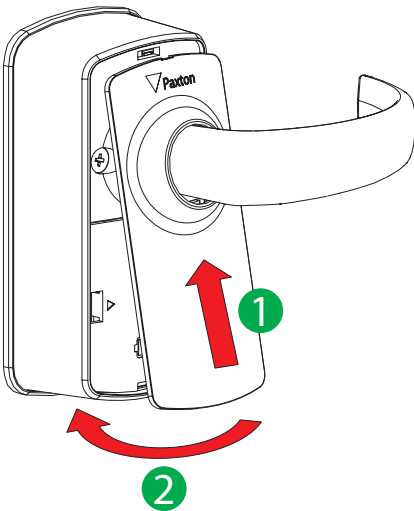
17

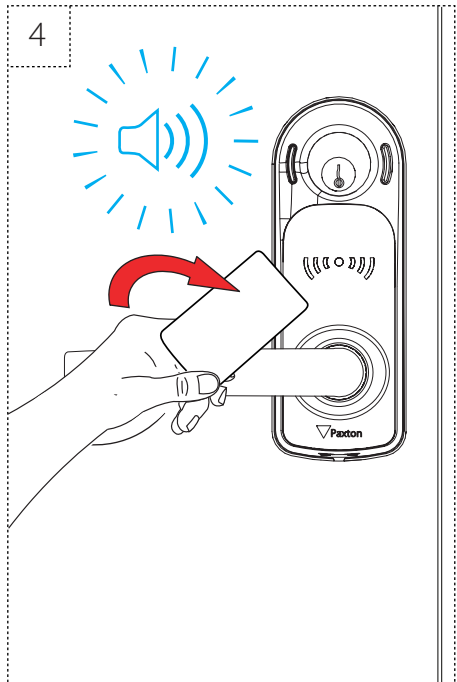
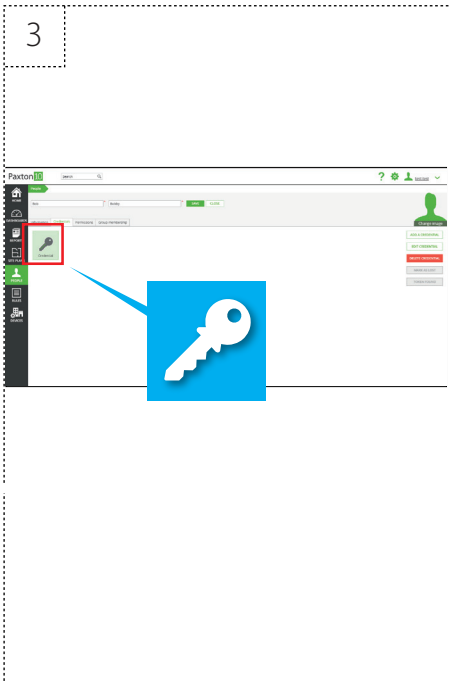
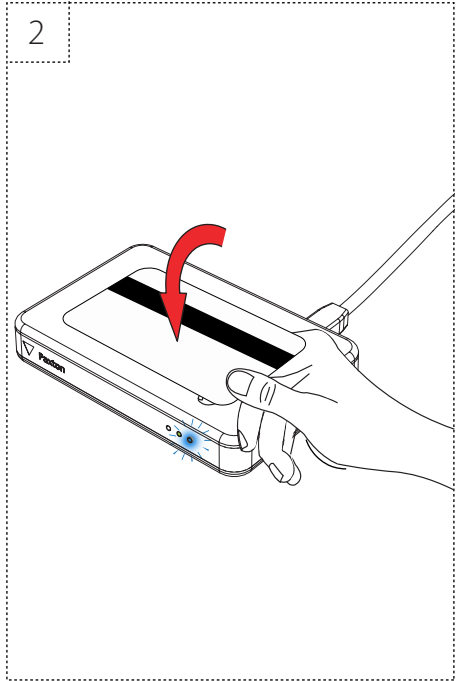
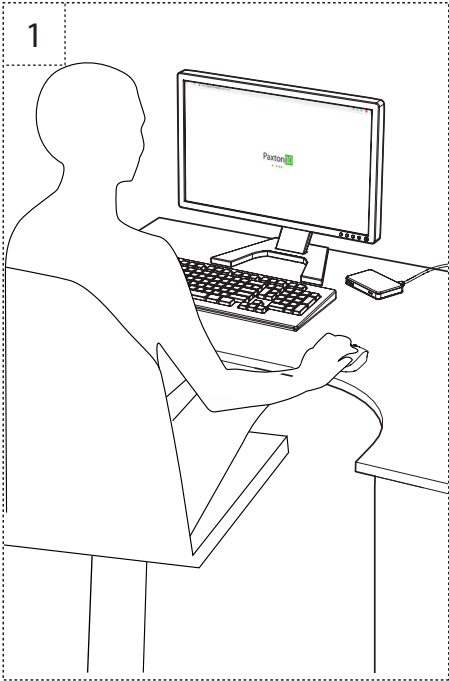


18



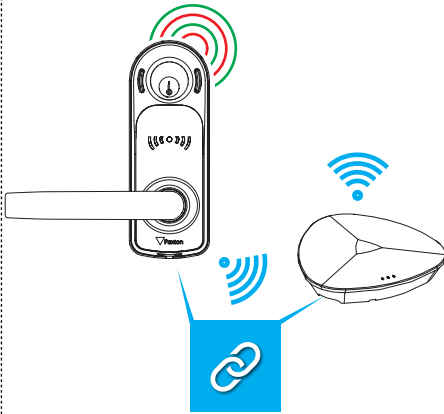
19





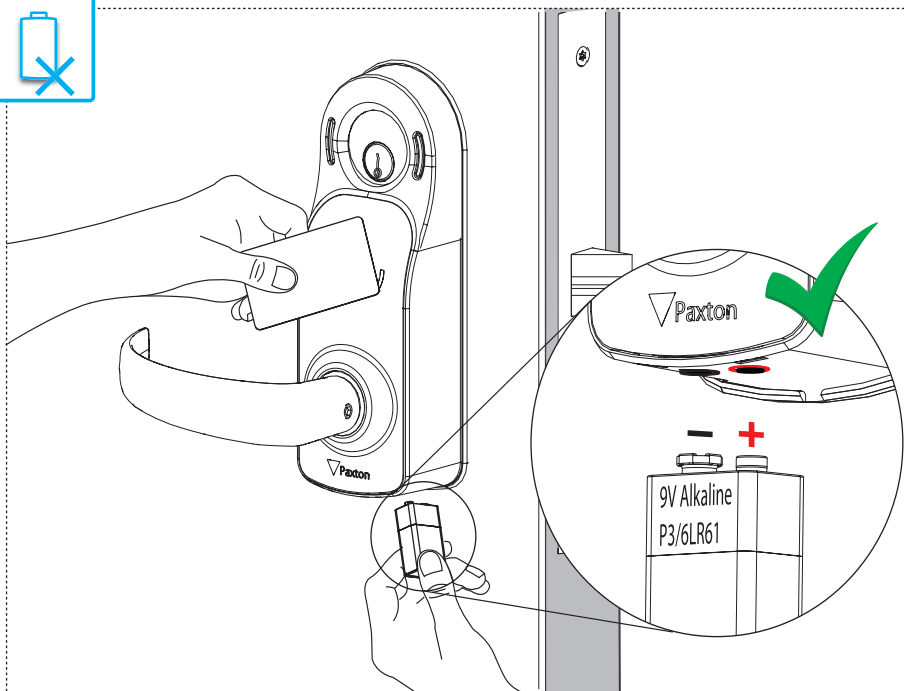
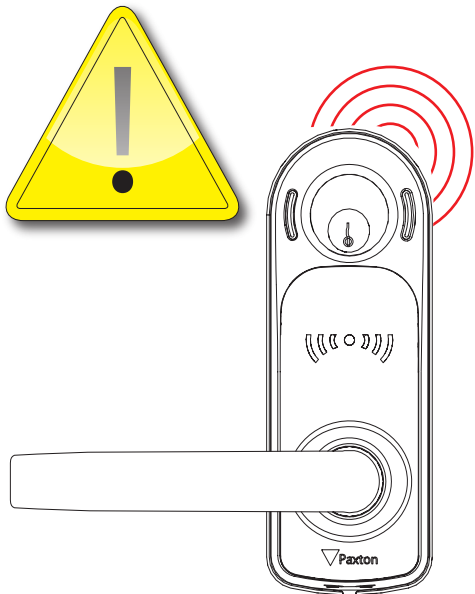


5



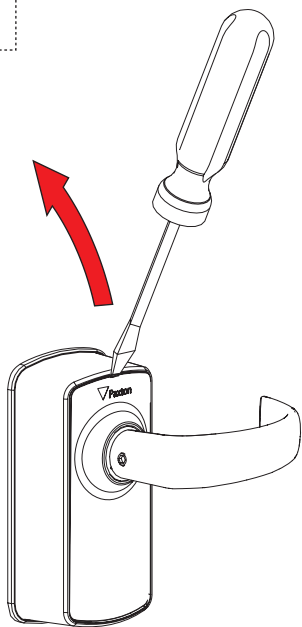
6



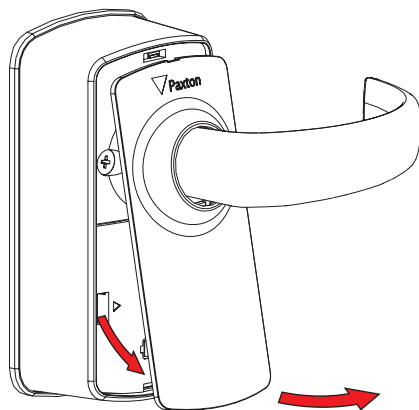




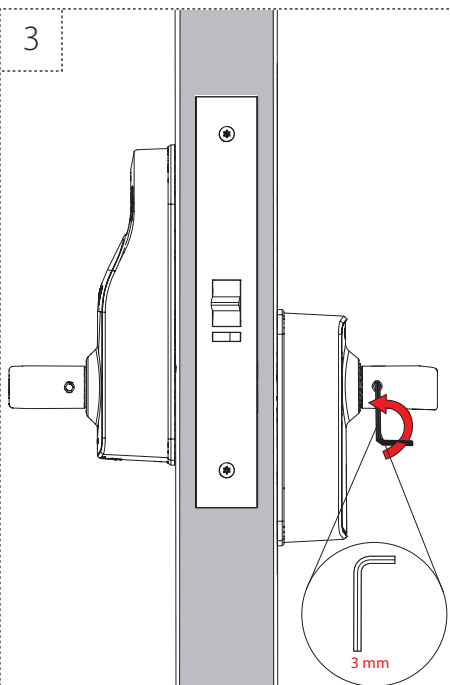
1



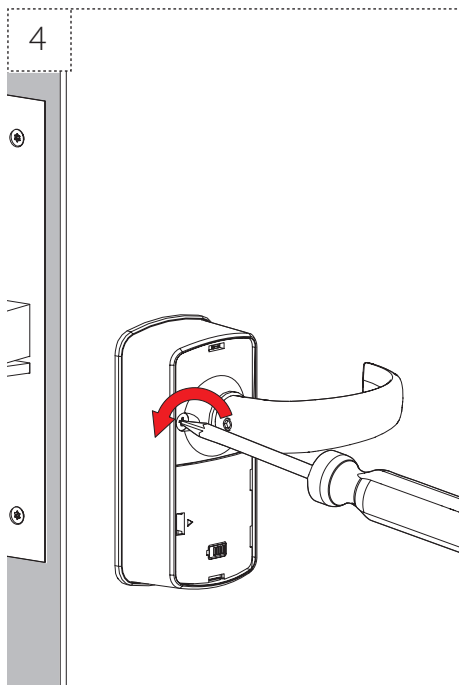
2



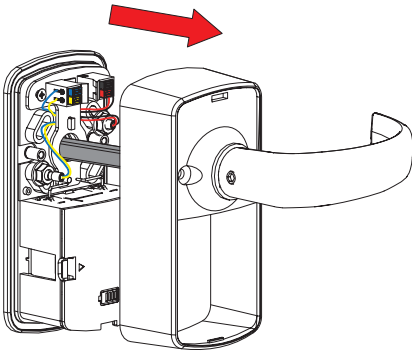
3



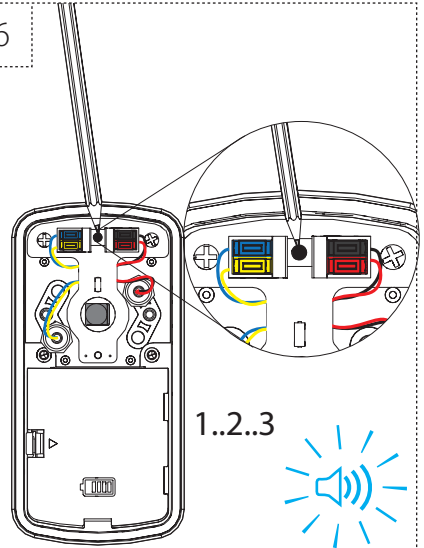
4



5

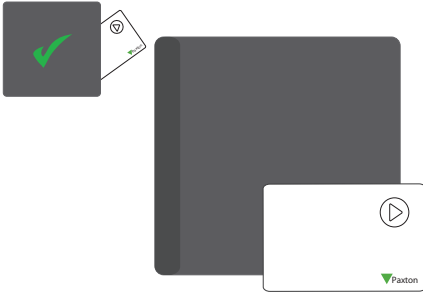


6

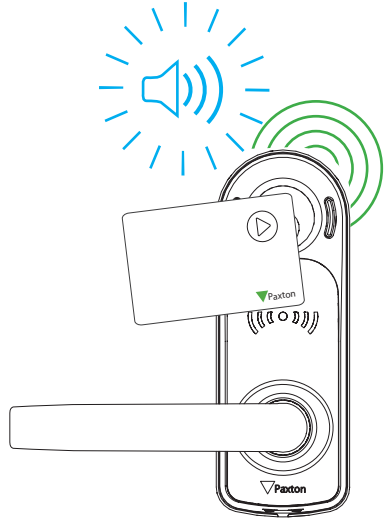




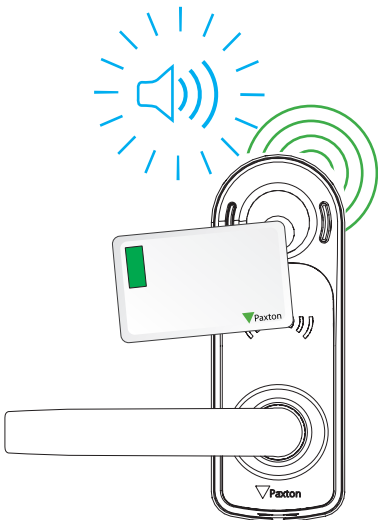
1



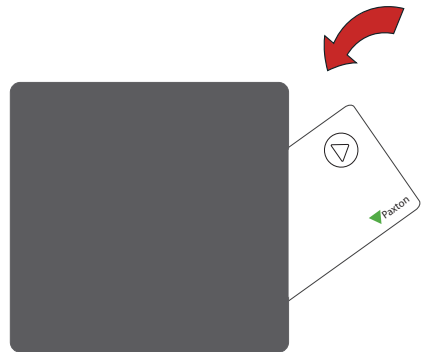
2



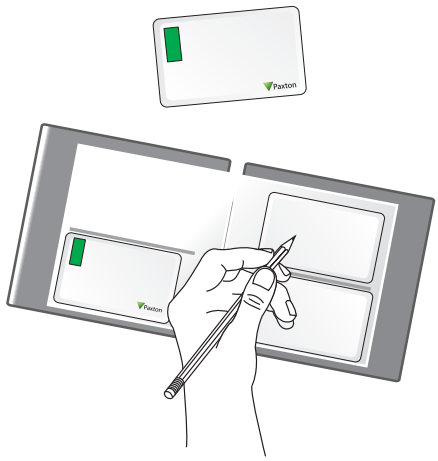
3



4



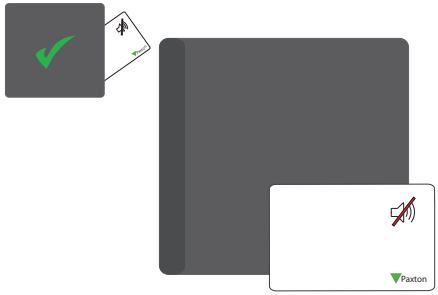
5



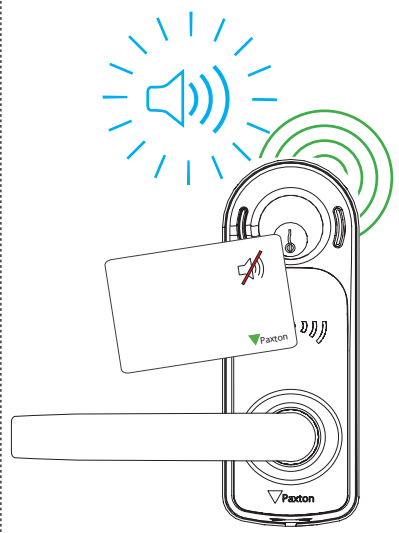
6

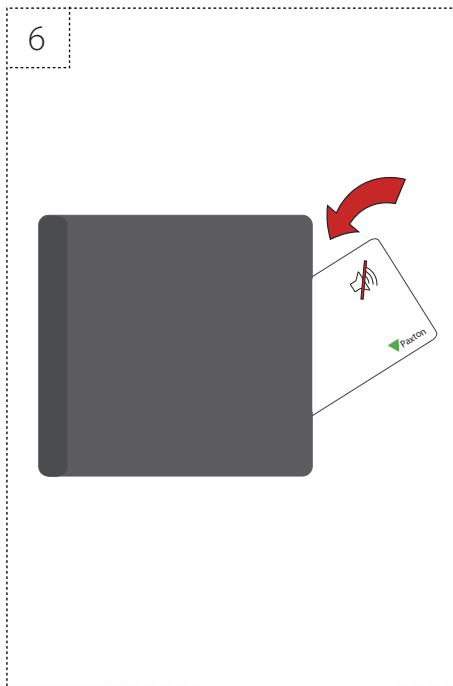
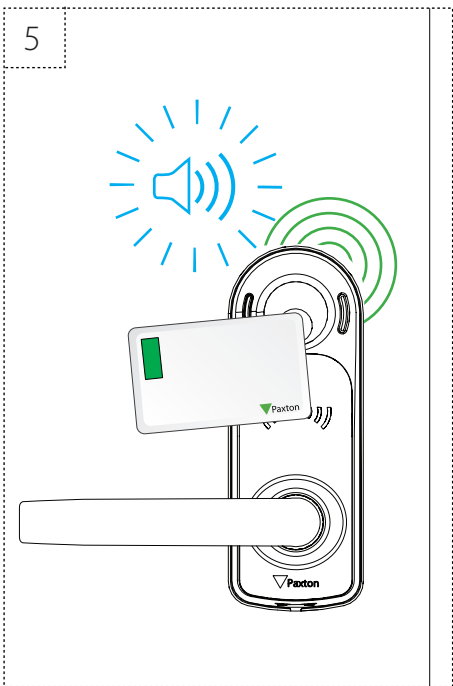
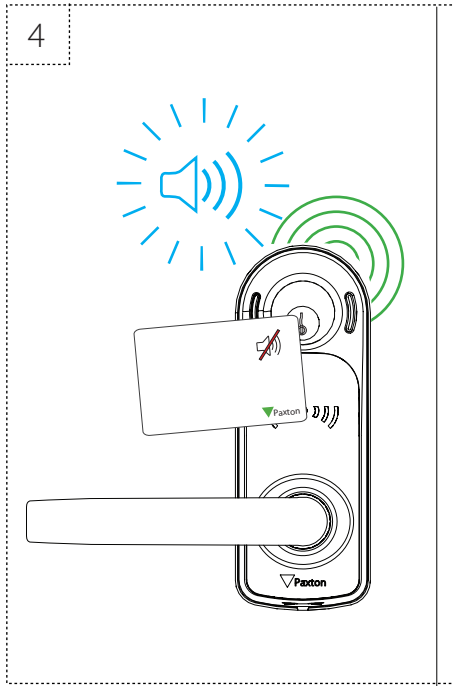
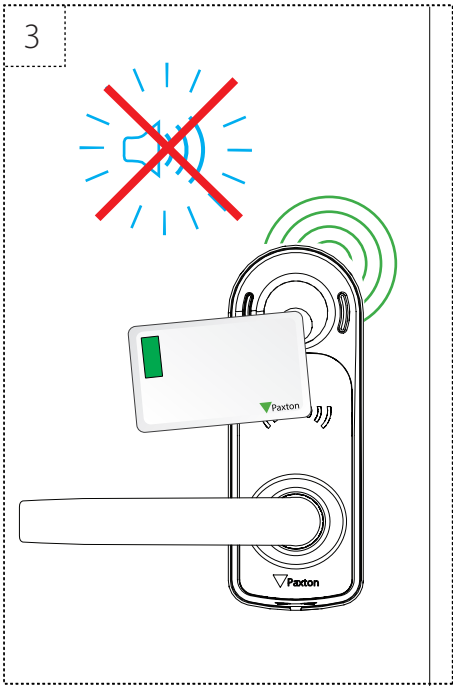


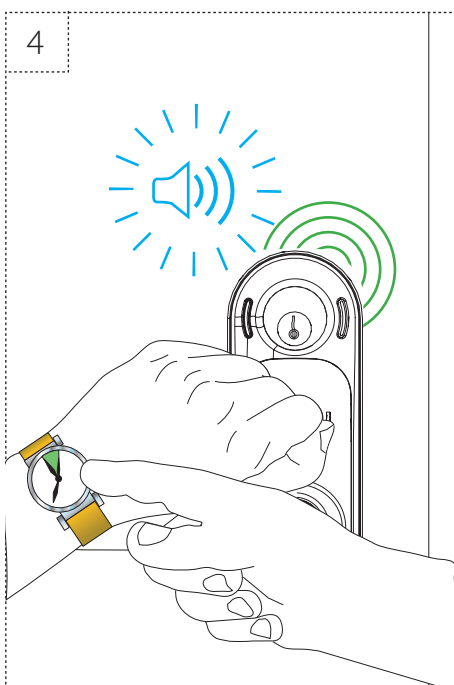
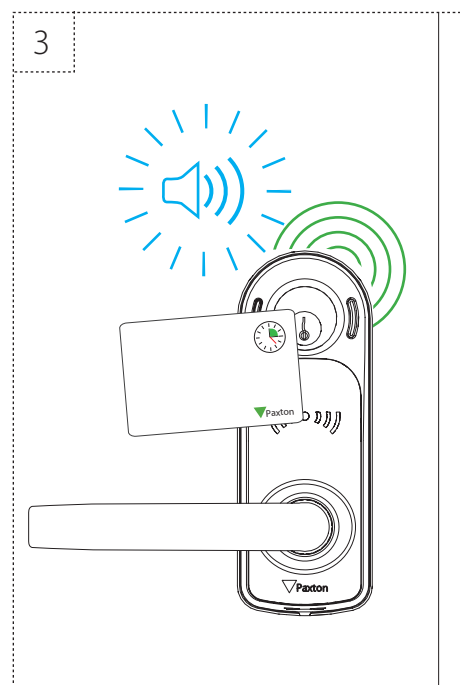
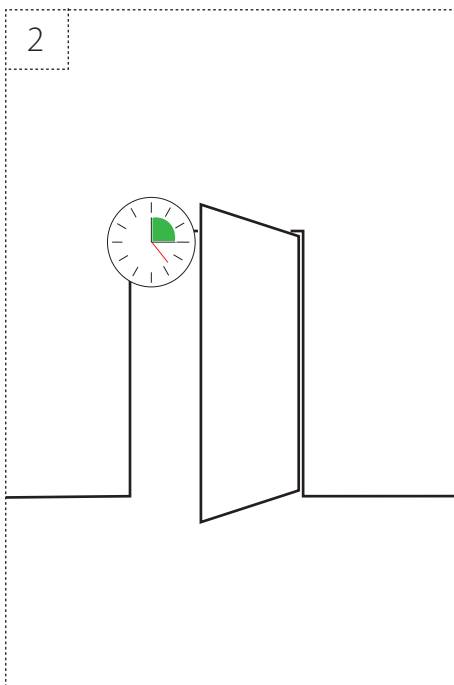
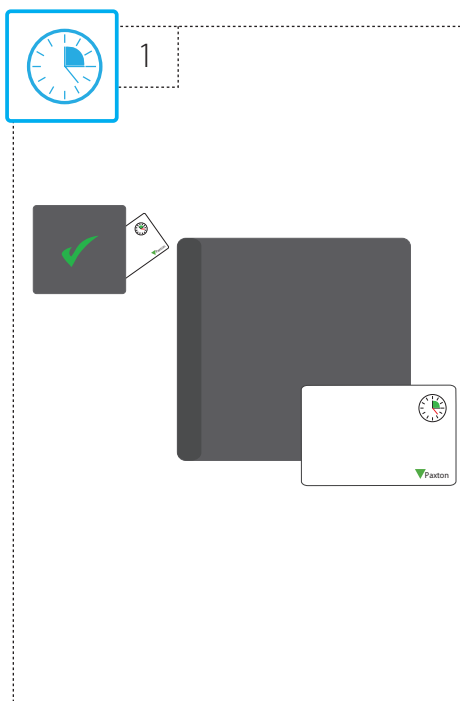
1



2

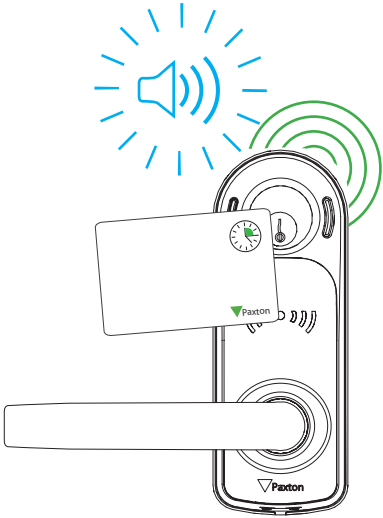




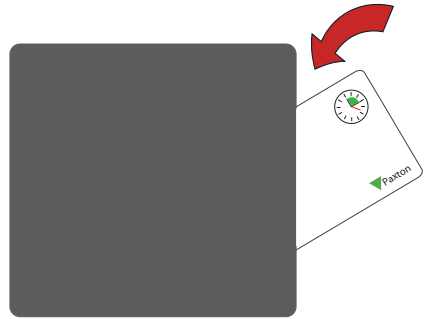





5



6







≤ 50000




Bluetooth®  
low energy technology



-35°C - +66°C  
-31°F - +151°F




0°C - +49°C  
32°F - +120°F




≤ 10 mm




13.56 MHz  
125 KHz




FCC / ISED  
UL 294 & CSA C22.2 No. 205  
ANSI 156.25  
UL10C / ULC S104



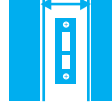
4 x AA Alkaline




3m - 15m  
10 ft - 50 ft



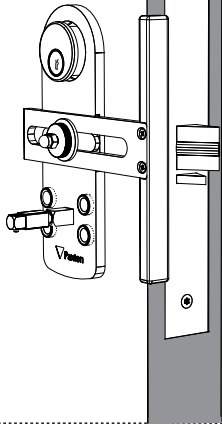
85 ±5%



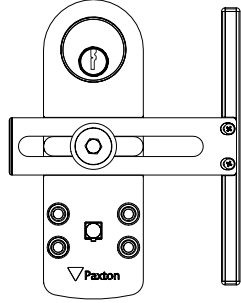
1 <sup>3</sup>/<sub>8</sub>" - 2 <sup>23</sup>/<sub>64</sub>"



6V  
800mA



900-081-US





+44 (0)1273 811011  
 support@paxton.co.uk  
 paxton.support



877.438.7298  
 supportUS@paxton-access.com  
 usapaxton.support



+31 (0)76 3333 999  
 support@paxton-benelux.com  
 paxton.benelux.support



+32 (0) 78485147  
 support@paxton-benelux.com  
 paxton.benelux.support



+49 (0) 251 2080 6900  
 verkauf@paxton-gmbh.de  
 paxton.gmbh.support



+33 (0)1 57 32 93 56  
 support@paxtonaccess.fr  
 paxton.support



+27 (0) 21 4276691  
 support@paxtonaccess.co.za  
 paxton.support



8000 3570 3783  
 support@paxtonaccess.ae  
 paxton.support



+52 55 5351 3667  
 soporte@paxton-access.com  
 paxton.soporte



+57 1508 8198  
 soporte@paxton-access.com  
 paxton.soporte



+44 (0)1273 811011  
 support@paxton.co.uk  
 paxton.support

These products are not suitable for retail sale. All warranties are invalid if these products are not installed by a competent person.

Parts of this product are Copyright (c) 2013-2015 Atmel Corporation. All rights reserved. Redistribution and use in source and binary forms, with or without modification, are permitted provided that the following conditions are met:

1. Redistributions of source code must retain the above copyright notice, this list of conditions and the following disclaimer.
2. Redistributions in binary form must reproduce the above copyright notice, this list of conditions and the following disclaimer in the documentation and/or other materials provided with the distribution.
3. The name of Atmel may not be used to endorse or promote products derived from this software without specific prior written permission.
4. This software may only be redistributed and used in connection with an Atmel microcontroller product.

THIS SOFTWARE IS PROVIDED BY ATMEL "AS IS" AND ANY EXPRESS OR IMPLIED WARRANTIES, INCLUDING, BUT NOT LIMITED TO, THE IMPLIED WARRANTIES OF MERCHANTABILITY, FITNESS FOR A PARTICULAR PURPOSE AND NON-INFRINGEMENT ARE EXPRESSLY AND SPECIFICALLY DISCLAIMED. IN NO EVENT SHALL ATMEL BE LIABLE FOR ANY DIRECT, INDIRECT, INCIDENTAL, SPECIAL, EXEMPLARY, OR CONSEQUENTIAL DAMAGES (INCLUDING, BUT NOT LIMITED TO, PROCUREMENT OF SUBSTITUTE GOODS OR SERVICES; LOSS OF USE, DATA, OR PROFITS; OR BUSINESS INTERRUPTION) HOWEVER CAUSED AND ON ANY THEORY OF LIABILITY, WHETHER IN CONTRACT, STRICT LIABILITY, OR TORT (INCLUDING NEGLIGENCE OR OTHERWISE) ARISING IN ANY WAY OUT OF THE USE OF THIS SOFTWARE, EVEN IF ADVISED OF THE POSSIBILITY OF SUCH DAMAGE.

UL listed to the following standards: ANSI/UL 10C compliant (180 min fire doors), CAN/ULC S104 compliant (180 min fire doors)

UL 294 performance level table:

Feature	Level
Destructive Attack	1
Line Security	1
Endurance	4
Standby Power	1
Single Point Locking Device with Key Locks	1

To confirm Software version please refer to the P10 server. Software updates not evaluated by UL

## Product compliance and limitations

Wiring methods shall be in accordance with the National Electrical Code (ANSI/NFPA70), local codes, and the authorities having jurisdiction.

This device complies with Industry Canada licence-exempt RSS standard(s). Operation is subject to the following two conditions: (1) this device may not cause interference, and (2) this device must accept any interference, including interference that may cause undesired operation of the device.

This device complies with Part 15 of the FCC Rules. Operation is subject to the following two conditions:

(1) this device may not cause harmful interference, and (2) this device must accept any interference received, including interference that may cause undesired operation. Changes or modifications not expressly approved by the party responsible for compliance could void the user's authority to operate the equipment.

CAUTION RISK OF EXPLOSION IF BATTERY IS REPLACED BY AN INCORRECT TYPE. DISPOSE OF USED BATTERIES ACCORDING TO THE INSTRUCTIONS.

## Bluetooth® smart credentials

Credential Transmission technology	Bluetooth®
Bluetooth version	Bluetooth 5.0 LE
Application software version	V1 SR1
User Verification	User must activate pin or biometric security on smart devices used as a credential.
Verification of credential type	The Paxton10 software reports feature can be used to view system events and verify the credential type.
Limitation of use	The smart device used as a Bluetooth credential is not capable of command, control, programming or any other system manipulation
	The Bluetooth credential is used in the same manner as a physical credential

UL 294 tableau de niveau de performance:

Fonctionnalités	Niveau
Attaque destructive	1
Sécurité des lignes de communication	1
Endurance	4
Alimentation de secours	1
Dispositif de verrouillage à point unique avec serrure à clé	1

## Conformité et limitations du produit

Les méthodes de câblage doivent être en accord avec le code nation électrique (ANSI/NFPA70), codes locaux et les autorités ayant la juridiction.

Ce dispositif est conforme au(x) standards RSS de l'industrie Canadienne sans-licence. Le fonctionnement est soumis aux deux conditions suivantes : (1) ce dispositif ne doit pas créer d'interférences nuisibles et (2) ce dispositif doit accepter toute interférence reçue, y compris des interférences qui peuvent causer un fonctionnement non souhaité.

Ce dispositif est conforme à la section 15 du règlement de la FCC. Le fonctionnement est soumis aux deux conditions suivantes : (1) ce dispositif ne doit pas créer d'interférences nuisibles et (2) ce dispositif doit accepter toute interférence reçue, y compris des interférences qui peuvent causer un fonctionnement non souhaité. Tout changement ou modification non agréé par la partie responsable de la mise en conformité peut entraîner une interdiction d'utilisation de l'équipement.



<http://paxton.info/1606>



Made in the UK

