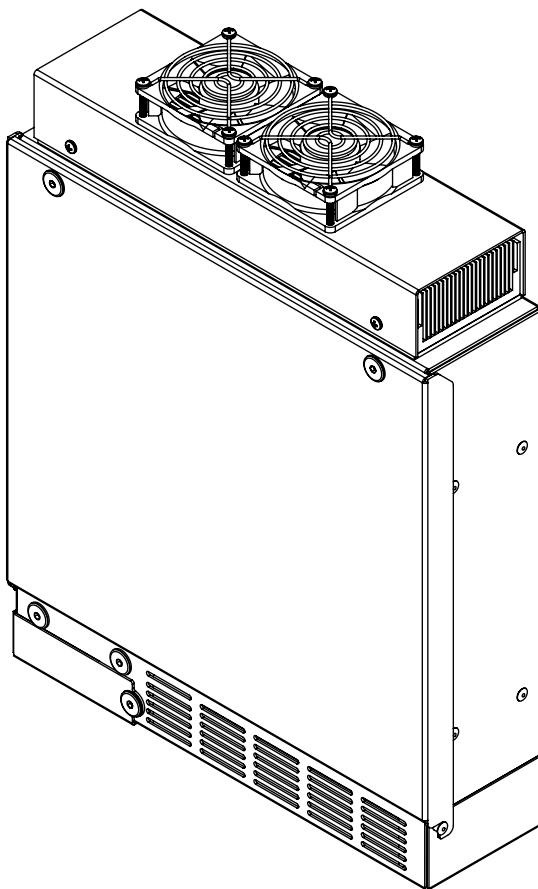


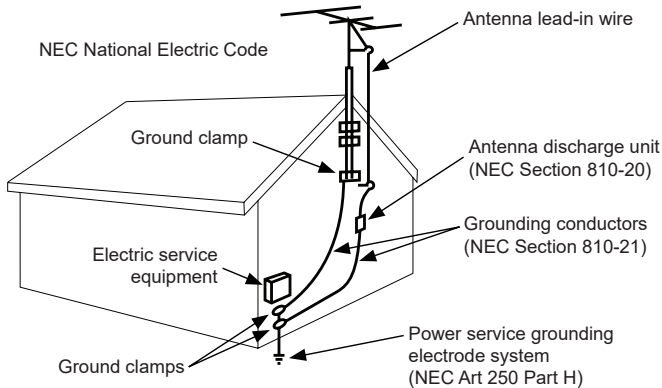
# peerless-AV<sup>®</sup>

## XACE-01, XACE-02



## Electrical Code

**Note:** To the system installer: This reminder is provided to call attention to Article 820-44 of the National Electric Code that provides guidelines for proper grounding and, in particular, specifies that the cable ground shall be connected to the grounding system of the facility. Outlet shall be installed near the equipment and shall be easily accessible.



**Note:** Installation shall incorporate UL Listed external surge protection rated 2500 Vpk or less, for 150 to 300 Vac mains, installed in accordance with Article 285 of ANSI/NFPA 70 or applicable local codes.

## Power Source

The product must be connected to a mains socket outlet with a protective grounding connection.

The mains plug is used as the disconnect device and shall remain readily accessible.

Electrical installation shall be in accordance with the applicable parts of Chapter 8 of ANSI/NFPA70.

An outdoor antenna should not be located near overhead electrical lines or any electrical circuits.

If an outside antenna is connected to the receiver, confirm that the antenna system is grounded to protect against voltage surges and built up static charges. Section 810 of the National Electric Code, ANSI/NFPA No 70-1984, provides information with respect to proper grounding for the mast and supporting structure, grounding of the lead-in wire to an antenna discharge unit, size of grounding connectors, location of antenna discharge unit, connection to grounding electrodes and requirements for the grounding electrode.

This product operates on 100-240 volts 50-60 Hz, AC current. Insert the power cord into a 120 volt 60 Hz outlet. Never connect to direct current or anything other than the specified voltage.

To prevent electric shock, do not use with an extension cord, receptacle, or other outlet unless the blades and ground terminal can be fully inserted to prevent blade exposure.

All secondary lines must be routed through grounded conduit and kept separate from AC line.

## FCC STATEMENT

---

This equipment has been tested and found to comply with the limits for a Class A digital device, pursuant to Part 15 of the FCC Rule. These limits are designed to provide reasonable protection against harmful interference in a residential installation. This equipment generates, uses and can radiate radio frequency energy and, if not installed and used in accordance with these instructions, may cause harmful interference to radio communications; however, there is no guarantee that interference will not occur in a particular installation. If this equipment does cause harmful interference to radio or television reception, which can be determined by turning the equipment off and on, the user is encouraged to try to correct the interference by one or more of the following measures:

1. Reorient or relocate the receiving antenna.
2. Increase the separation between the equipment and receiver.
3. Connect the equipment into an outlet on a circuit different from that to which the receiver is connected.
4. Consult the dealer or an experienced radio/display technician for help.

This device complies with Part 15 of the FCC Rules. Operation is subject to the following two conditions:

- This device may not cause harmful interference.
- This device must accept any interference received, including interference that may cause undesired operation.

## Relevant Information

---

Record your products model and serial number here for future reference. Keep this user manual in an accessible location in the event service is required.

Model Number \_\_\_\_\_

Serial Number \_\_\_\_\_

# GENERAL SAFETY PRECAUTIONS

## Read before operating equipment

Thank you for purchasing our product. Before using it, please read this user guide carefully and follow the instructions for safe operation. Please keep this manual for future reference and always include it when transferring or transporting this product to a different location.

## **▲ WARNING**

In case of emergency such as fire or electric shock caused by the product, immediately contact 911 or proper emergency police/fire service agencies in your country.

To reduce the risk of electric shock or fire, heed the following:

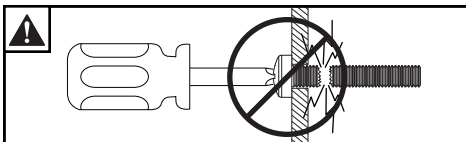
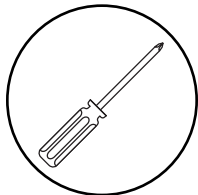
- In case of product malfunction or unusual events such as electrical burning smell, smoke, or loss of content signals due to internal overheating, immediately turn off, unplug the electrical cord and contact the manufacturer.
- Do NOT disassemble, modify or service product in any way other than that contained in this instruction. Any unauthorized modifications made to the product automatically void product warranty.
- Do NOT touch antenna lines or wires, electrical cables or plugs when lightning or thunder is present or with wet hands
- Do NOT submerge in water.
- Do NOT destroy, process, or place close to any heat source.
- Do NOT install near poisonous gas or chemically unstable atmosphere.
- Do NOT install near strong magnetic or electrical current field.
- Do NOT install the product in unstable locations or near moving objects, constantly vibrating equipment, or uneven surfaces.
- Do NOT leave any fire source, such as candles, close to or on the product.
- Do NOT operate the product if it has been dropped or struck. Severe physical impact to the product may cause components to fall out of place within and break.
- Do NOT bend or twist electrical cords, electrical plugs, cables, or wires with excessive force.
- Do NOT block ventilation slots or place any heavy object on the product.
- Use properly rated electrical voltage.
- Do NOT use any electrical sockets or power strips with many other devices jointly plugged in. Use a single, directly dedicated and rated GFCI electrical outlet for the product for safe operation.
- Do NOT move or transport with any cables (electrical, content connectivity) plugged in to the source devices.
- Always connect the electrical plug firmly and completely. When disconnecting any cables, always pull on the plug and not the cord.
- Always leave the power off when plugging or unplugging the electrical cords or connection cables.
- Do not defeat the safety purpose of the polarized or grounding type electrical plug. A polarized plug has two blades with one wider than the other. A grounding type plug has two blades and a third grounding prong. The wide blade or the third prong are provided for your safety. If the provided plug does not fit into your outlet, consult an electrician for replacement of the obsolete outlet.
- Protect the electrical cord from being walked on or pinched particularly at plugs, convenience receptacles, and the point where they exit from the apparatus.
- Do NOT climb on the product.
- Do NOT install within five feet from a body of water.
- Do NOT use if ambient air temperature exceeds the operating limits.
- Periodically clean dust off the electrical plug to keep it clean and dry, ensuring proper and safe operation.
- Only use attachments/accessories specified by the manufacturer.

ENG Symbols



ENG WARNING

ENG Tools Needed for Assembly.

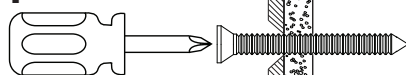


ENG Do not overtighten screws.

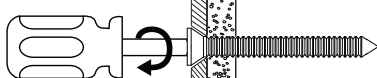


ENG To properly tighten screws: Tighten until screw head makes contact, then tighten another 1/2 turn. Do not overtighten screws.

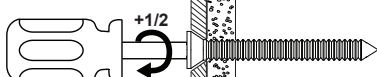
1



2



3



4



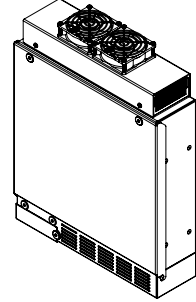
**ENG** Parts (Before beginning, make sure you have all parts shown below).

## Parts List

Description	Qty	XACE-01 Part #	XACE-02 Part #
<b>A</b> enclosure assembly	1	180-T1807	180-T1779
<b>B</b> 4mm allen wrench	1	560-9646	560-9646
<b>C</b> 3mm grommet	1	410-1094	410-1094
<b>D</b> 4mm grommet	2	410-1097	410-1097
<b>E</b> 5mm grommet	1	410-1089	410-1089
<b>F</b> 6mm grommet (preinstalled)	1	410-1088	410-1088
<b>G</b> 8mm grommet	2	410-1090	410-1090
<b>H</b> dual 3mm grommet	1	410-1099	410-1099
<b>I</b> dual 4mm grommet	1	410-1100	410-1100
<b>J</b> dual 5mm grommet	1	410-1095	410-1095
<b>K</b> dual 6mm grommet	1	410-1096	410-1096
<b>L</b> blank grommet (preinstalled)	4	410-1091	410-1091
<b>M</b> velcro strap	1	560-0138	560-0138

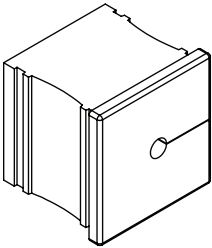
**A (1)**

enclosure asy



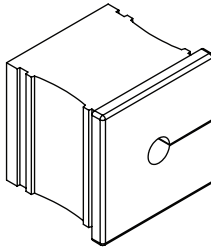
**C (1)**

3mm grommet



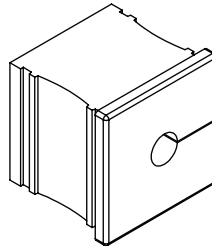
**D (2)**

4mm grommet



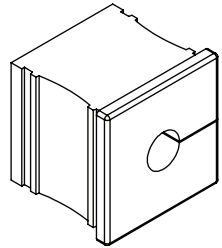
**E (1)**

5mm grommet



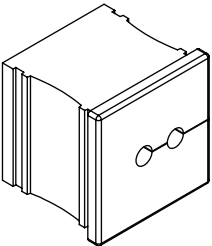
**F (1)**

6mm grommet



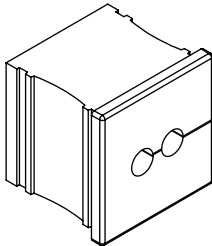
**H (1)**

dual 3mm  
grommet



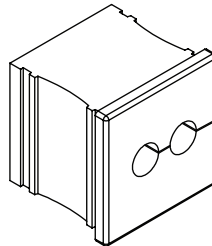
**I (1)**

dual 4mm  
grommet



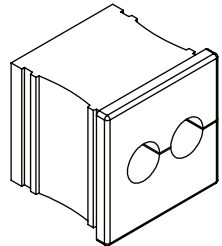
**J (1)**

dual 5mm  
grommet



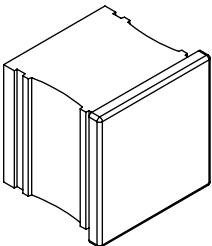
**K (1)**

dual 6mm  
grommet



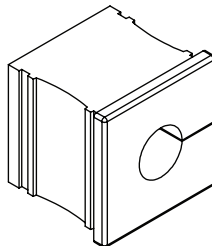
**L (4)**

blank grommet



**G (2)**

8mm grommet



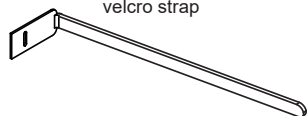
**B (1)**

4mm allen  
wrench



**M (1)**

velcro strap

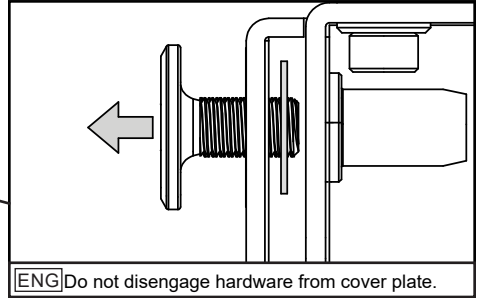
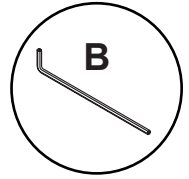
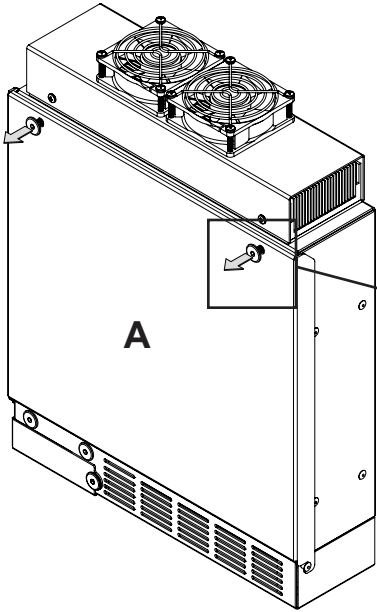


## ⚠ WARNING

ENG - Before starting the installation of any electronic devices, ensure that the electrical cord is not plugged into electricity. Failure to do so may result in injury or death.

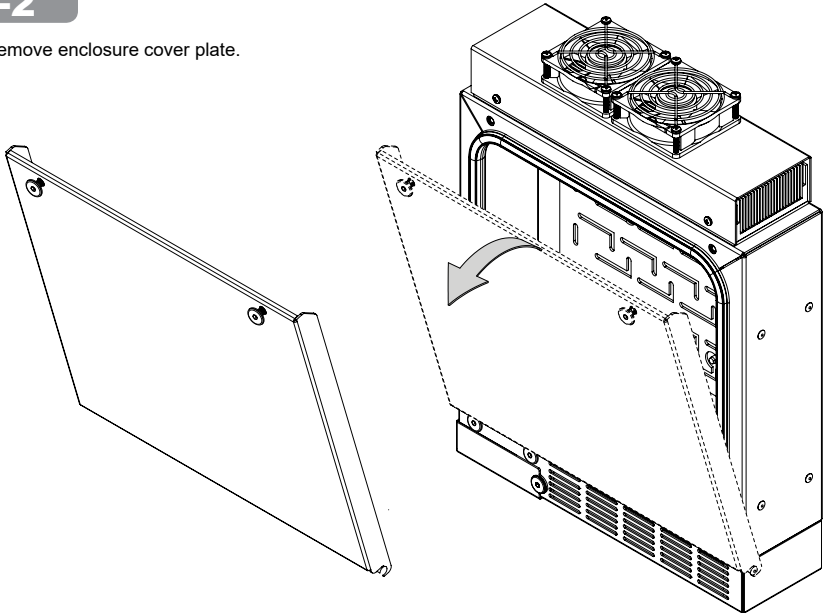
### 1-1

ENG Loosen

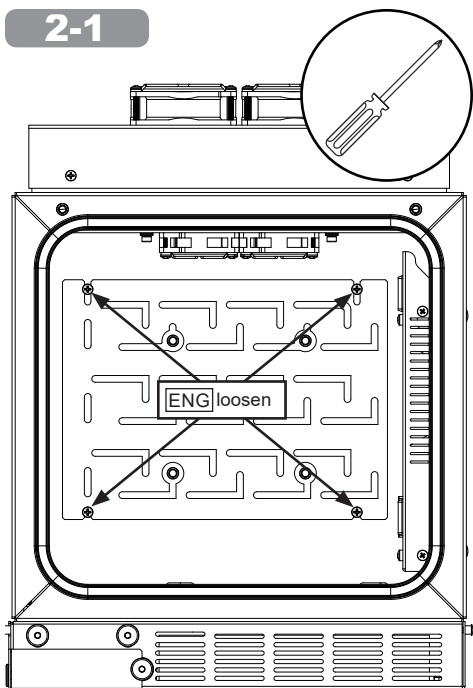


### 1-2

ENG Remove enclosure cover plate.

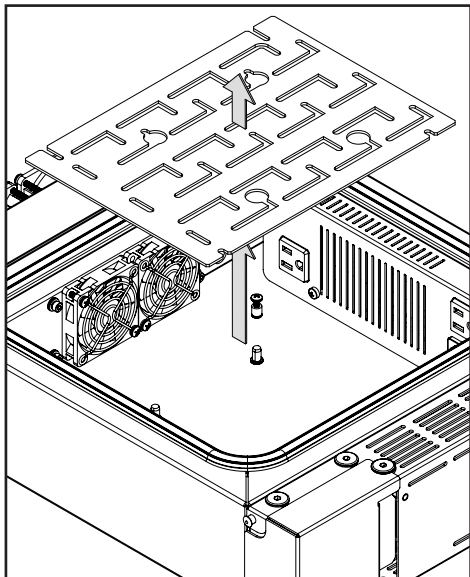


## 2-1

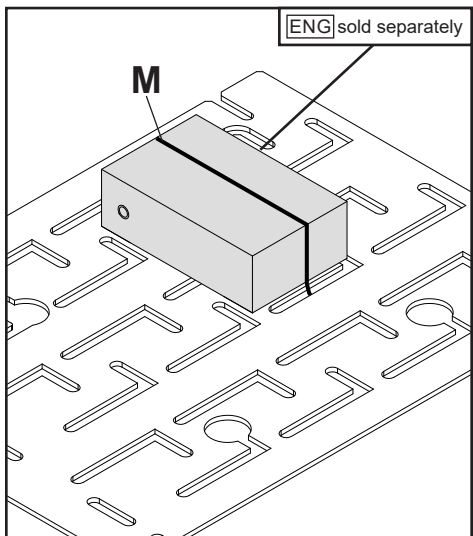


## 2-2

ENG Remove.

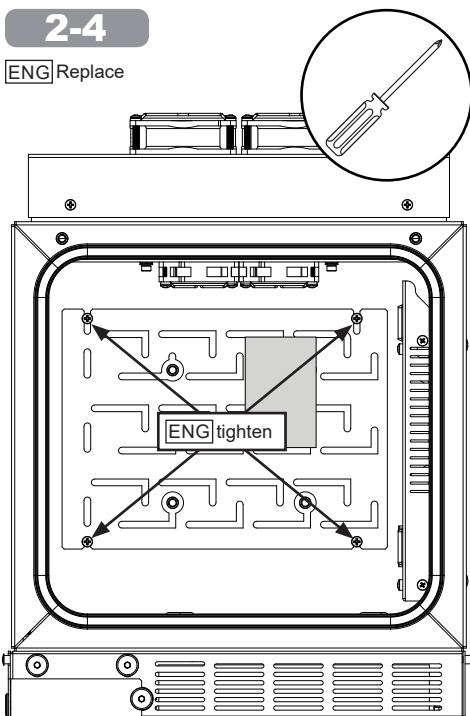


## 2-3



## 2-4

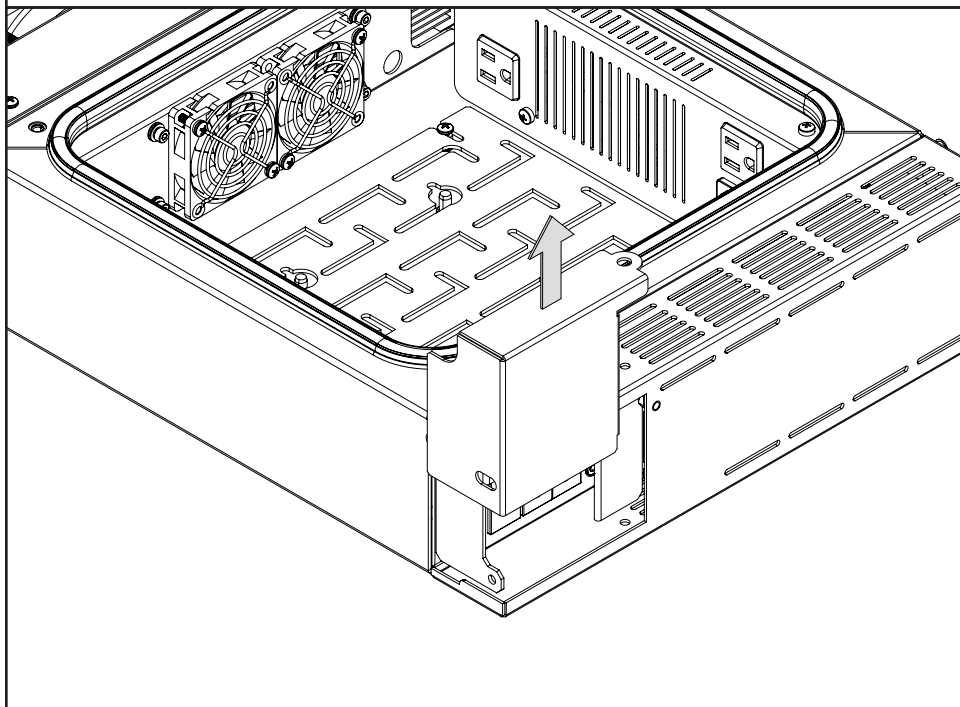
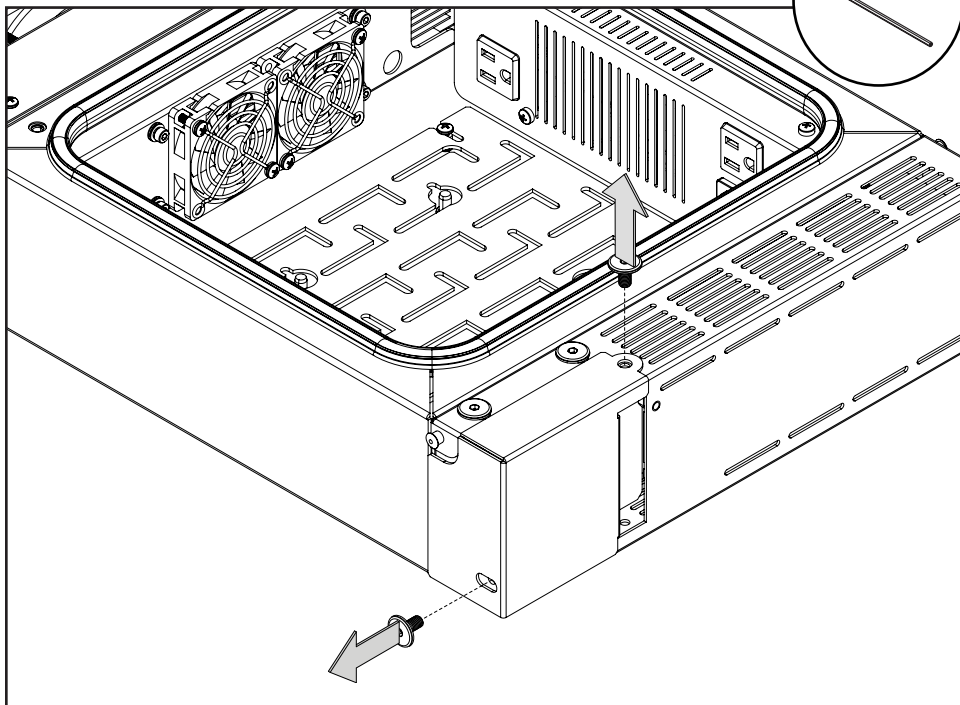
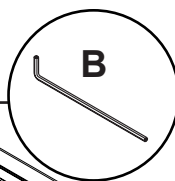
ENG Replace



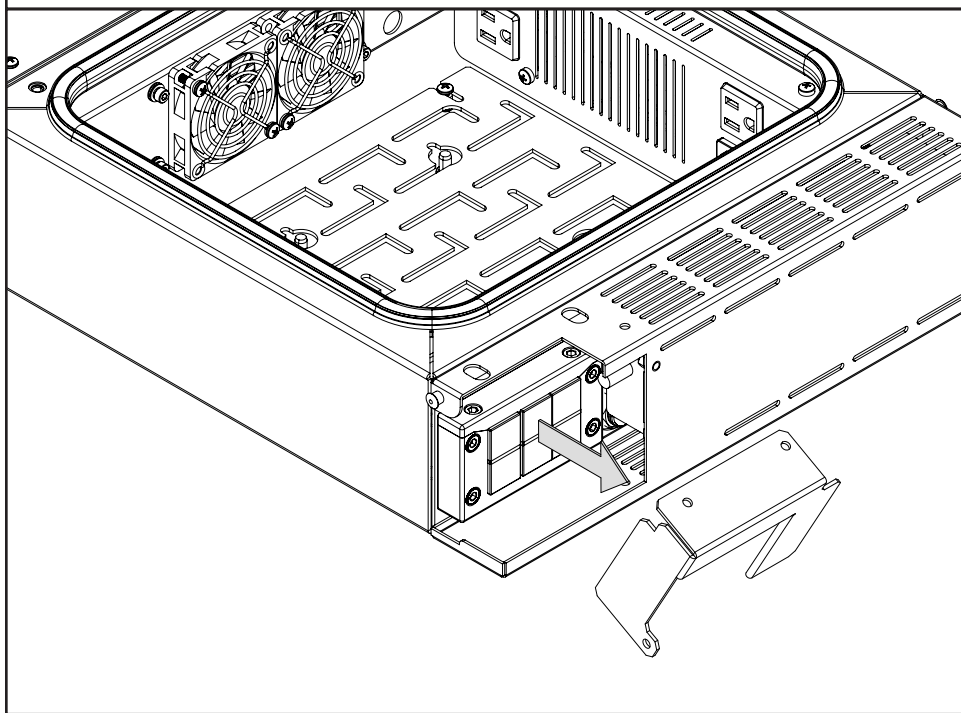
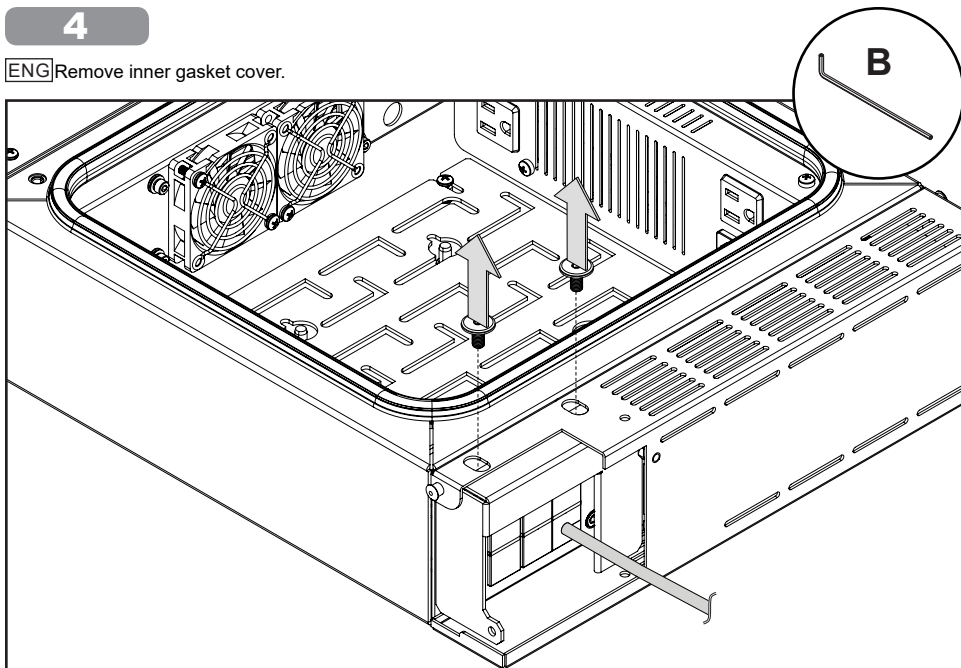


3

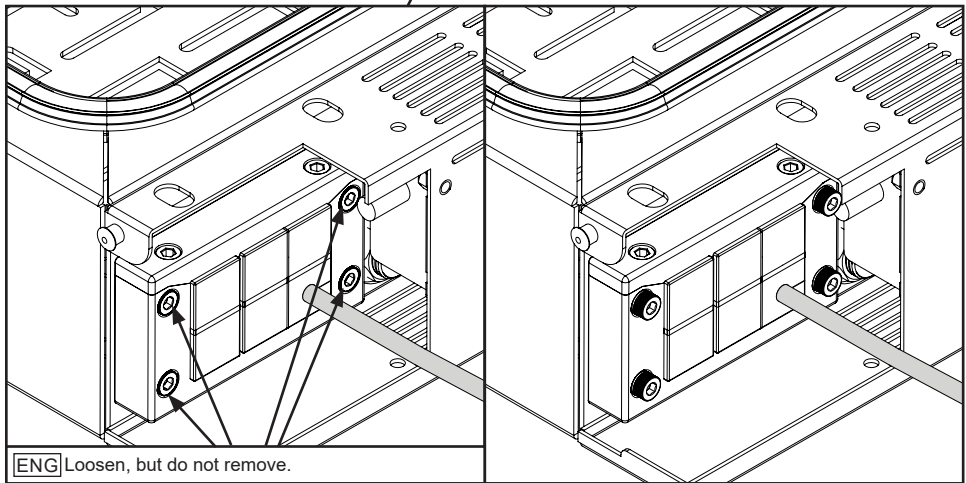
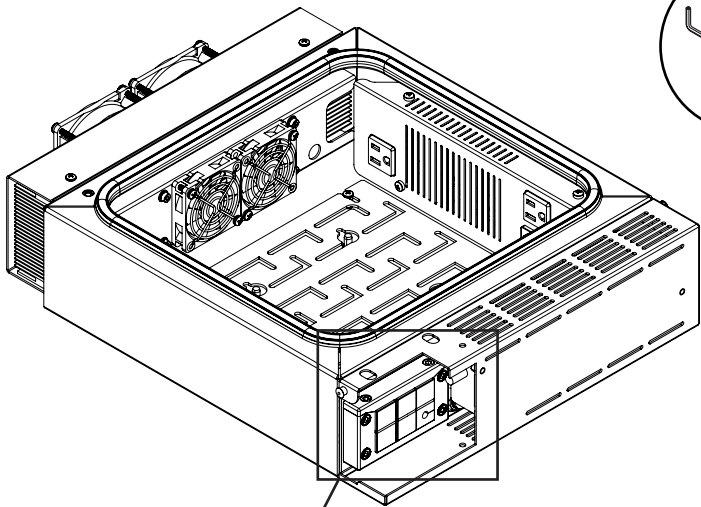
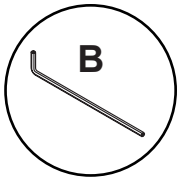
ENG Remove outer gasket cover.

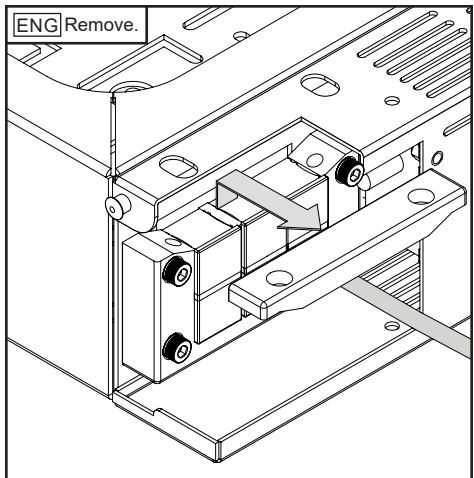
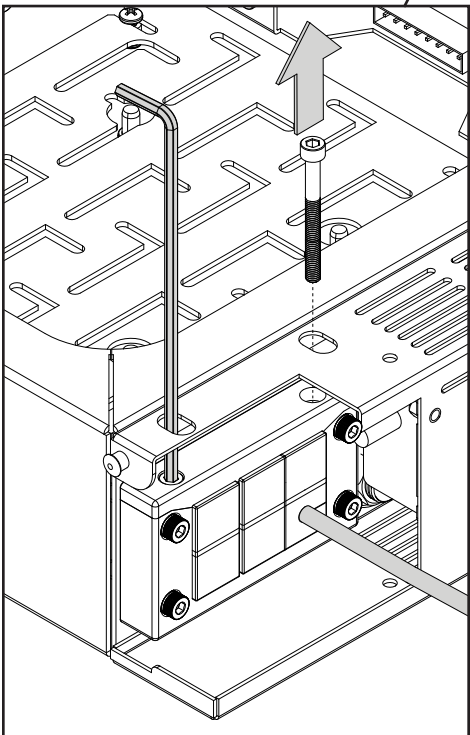
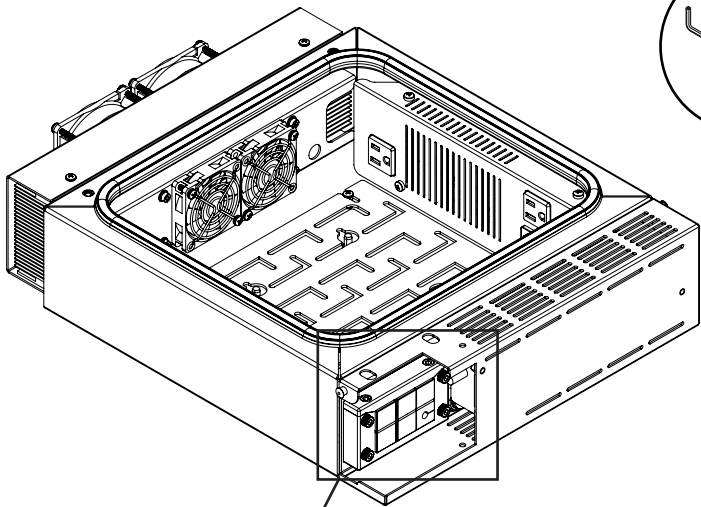
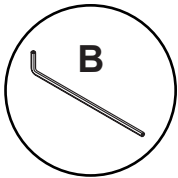


ENG Remove inner gasket cover.



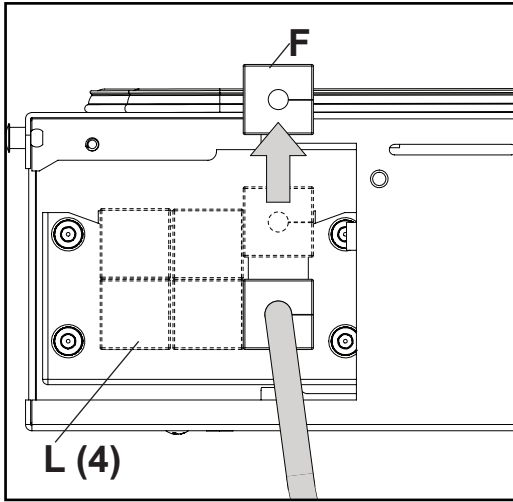
**ENG** This page intentionally left blank.





## 6-1

**ENG** Remove unused grommets. Do not remove preinstalled cables.

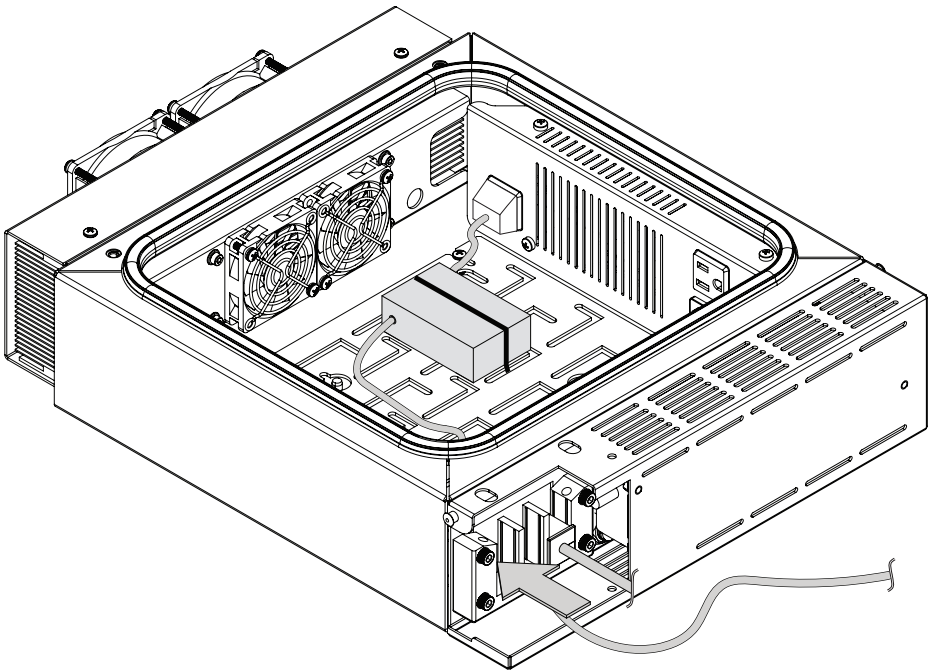


## 6-2

**ENG** Feed cables into enclosure.

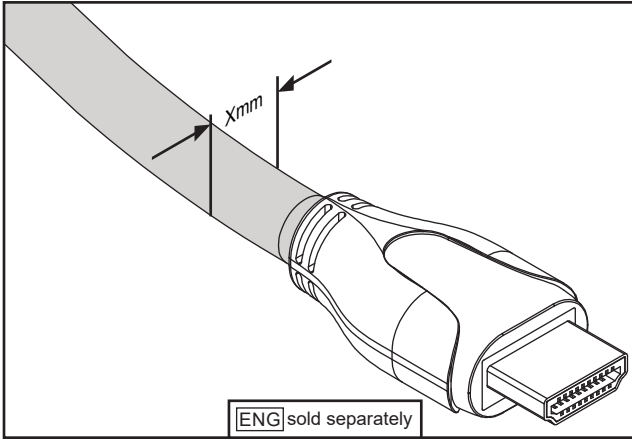
### CAUTION

**ENG** - Ensure cord bend radius does not exceed limits set by the manufacturer.



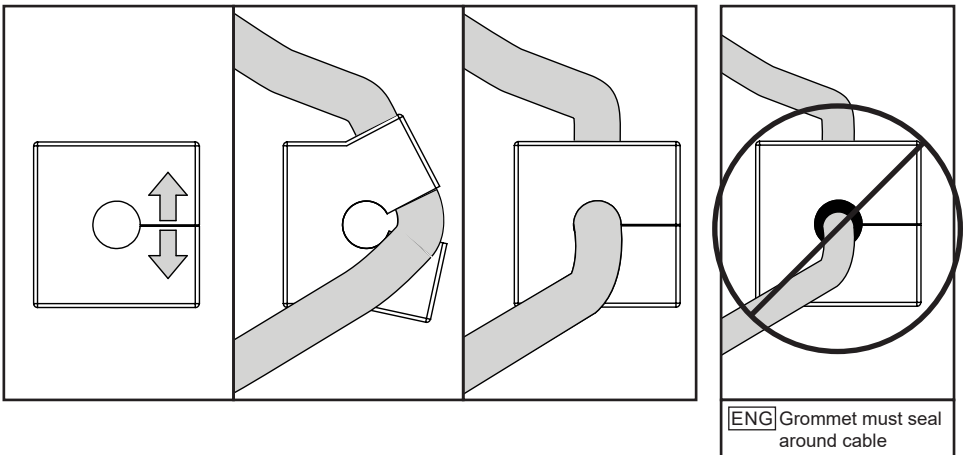
## 7-1

**ENG** Measure cables then choose grommets that fit securely.

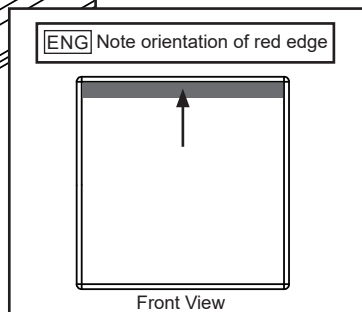
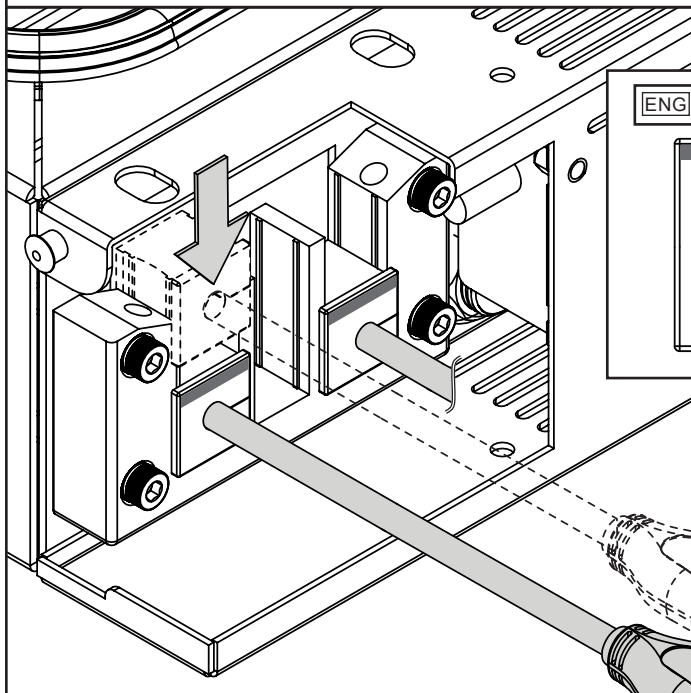
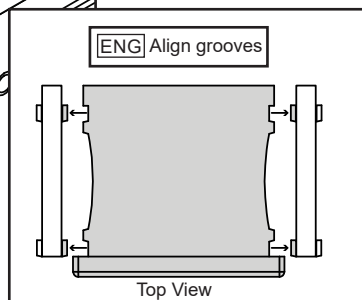
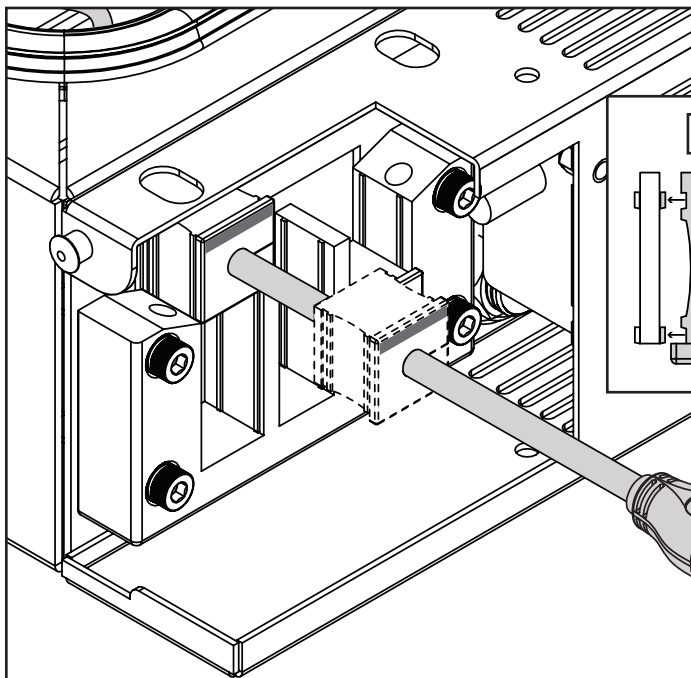


Part	Grommet Size	Grip Range	Max IP rating	Common Cables (measurement required)
C	3mm	3mm - 3.9mm	66	USB, IR/ALS Extender
D	4mm	4mm - 4.9mm	66	USB, Auxiliary
E	5mm	5mm - 5.9mm	66	Cat5, Cat6
F	6mm	6mm - 6.9mm	66	HDMI, Display Port, RS232
G	8mm	8mm - 8.9mm	66	HDMI
H	dual 3mm	3mm - 3.9mm	54	USB, IR/ALS Extender
I	dual 4mm	4mm - 4.9mm	54	USB, Auxiliary
J	dual 5mm	5mm - 5.9mm	54	HDMI, Display Port, RS232
K	dual 6mm	6mm - 6.9mm	54	Cat5, Cat6
L	blank	N/A	66	N/A

## 7-2

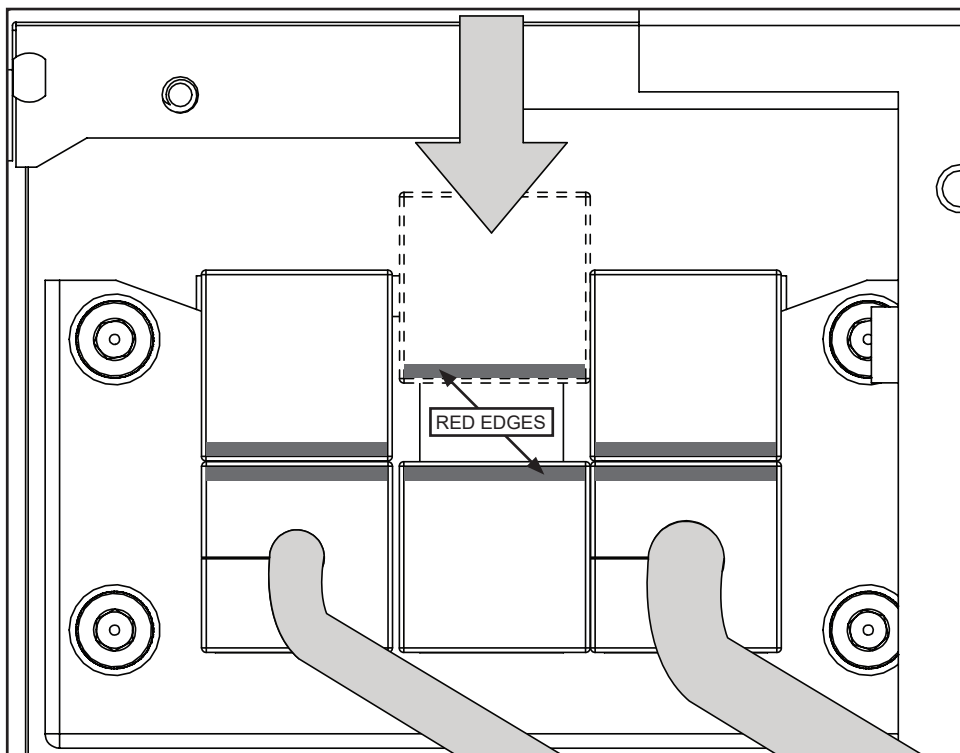


**ENG** Slide grommets into enclosure, aligning grooves of grommet with grooves in cable gland.



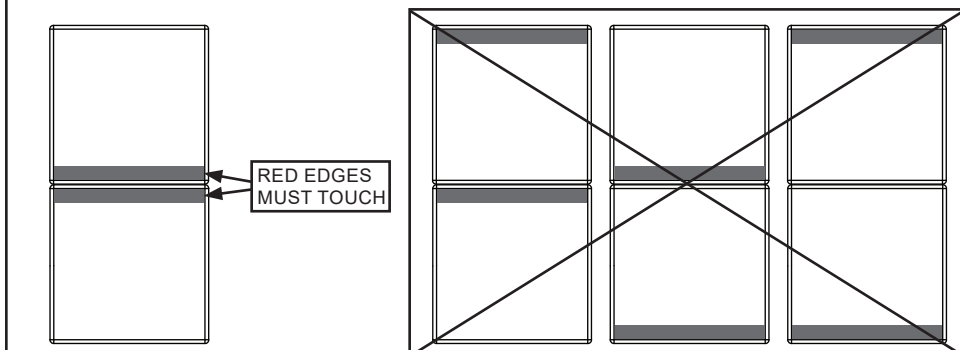


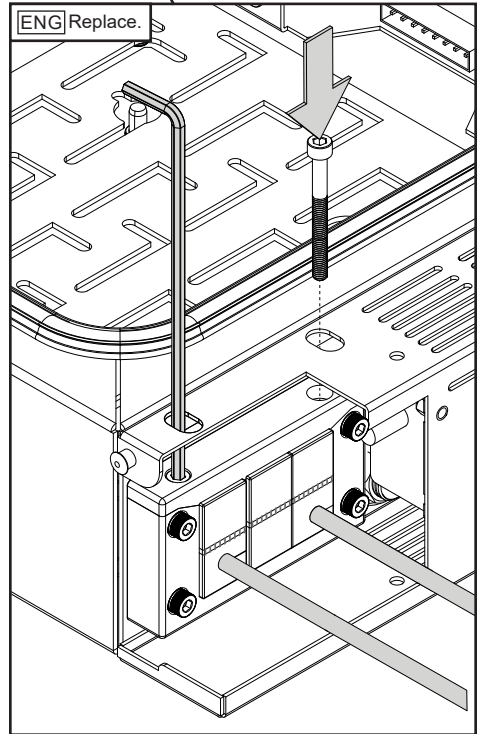
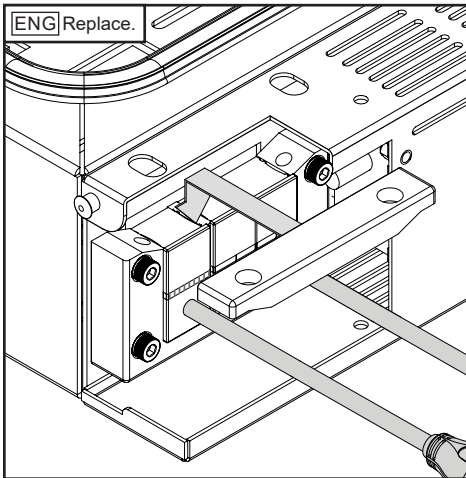
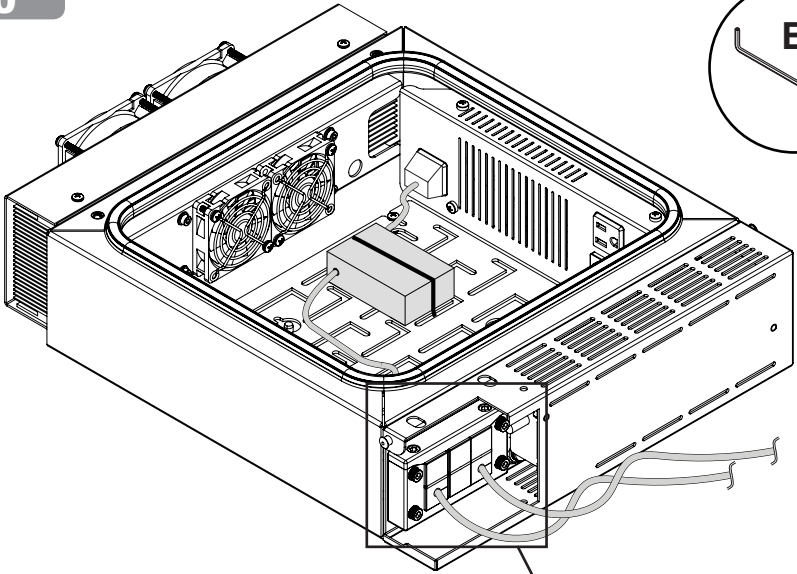
**ENG** Use blanks to seal all unused spaces. Red edges indicate edges that must touch.

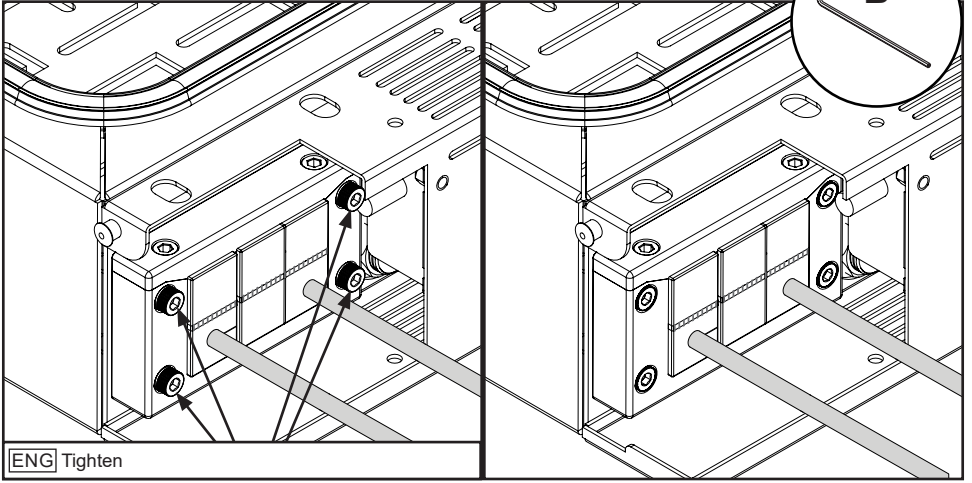


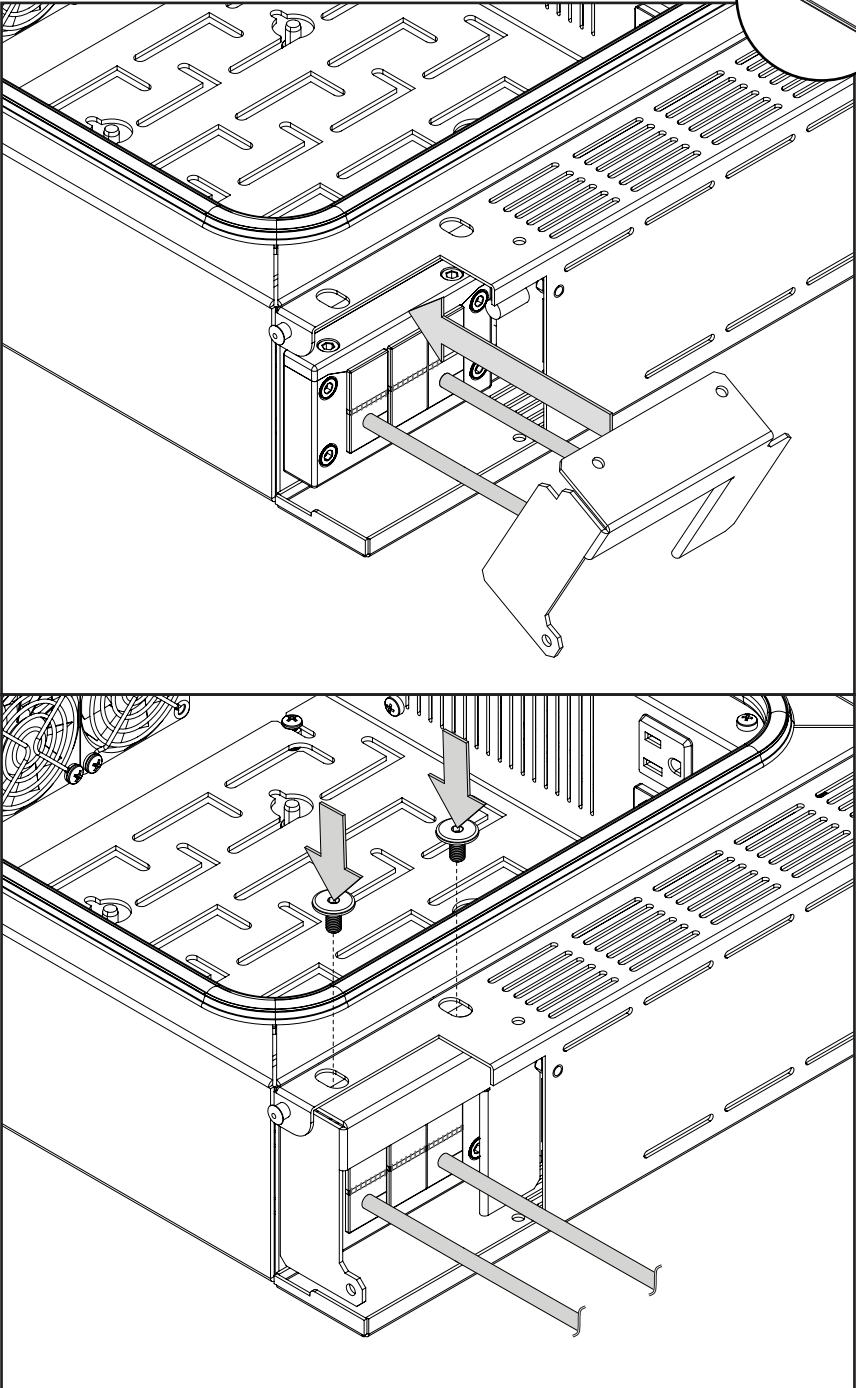
### CAUTION

**ENG** Red edges indicate orientation of grommet. Red edges must touch. Failure to follow these instructions can result in the product being damaged or destroyed, voiding the warranty.



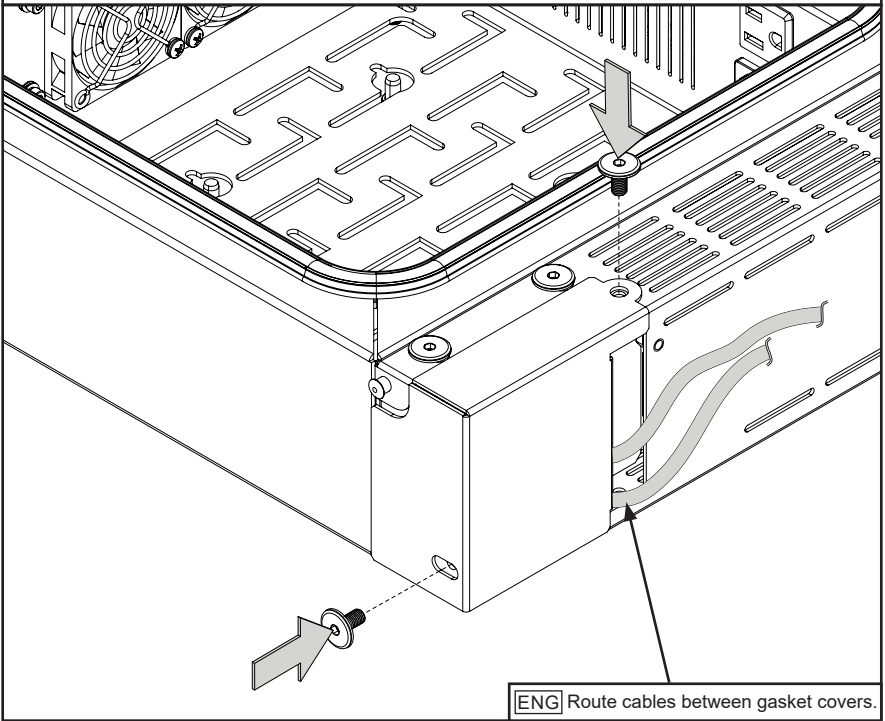
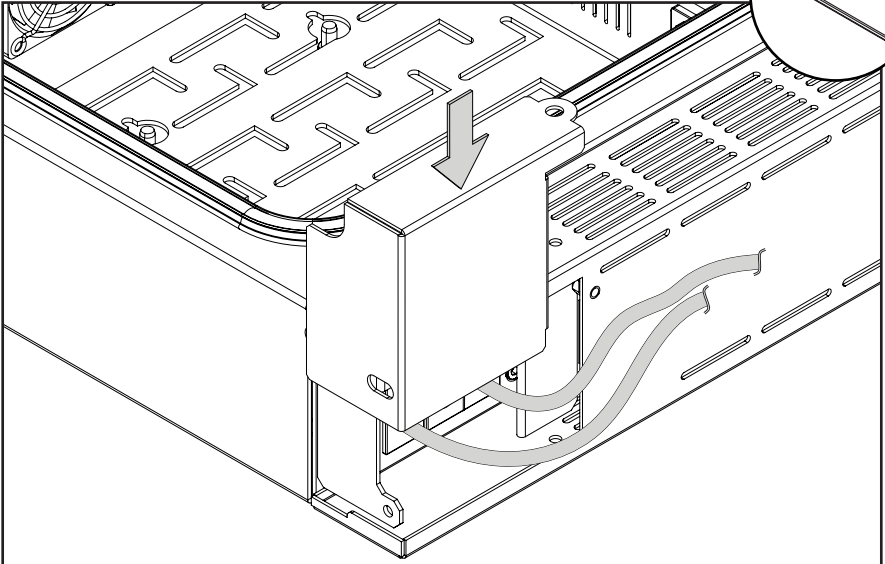






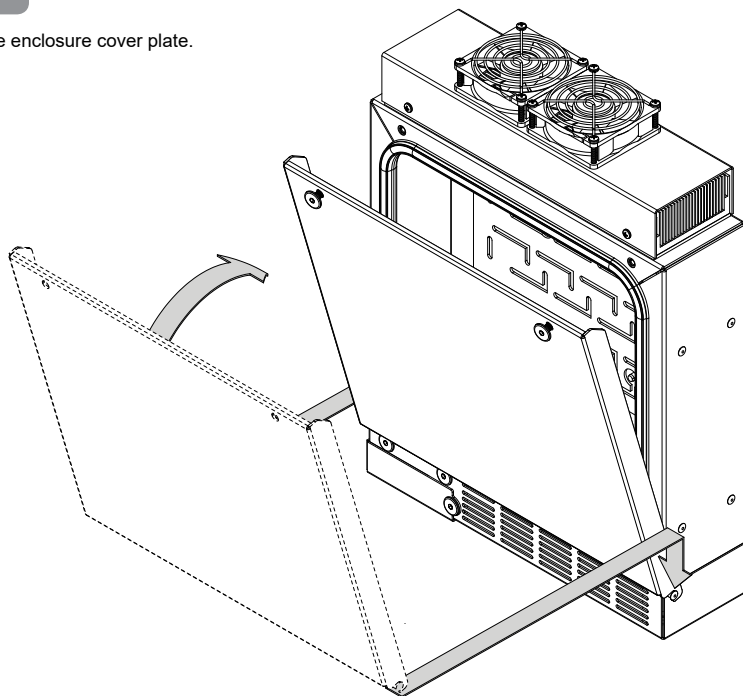
**ENG** Replace outer gasket cover, routing cables between inner and outer gasket cover.

**B**

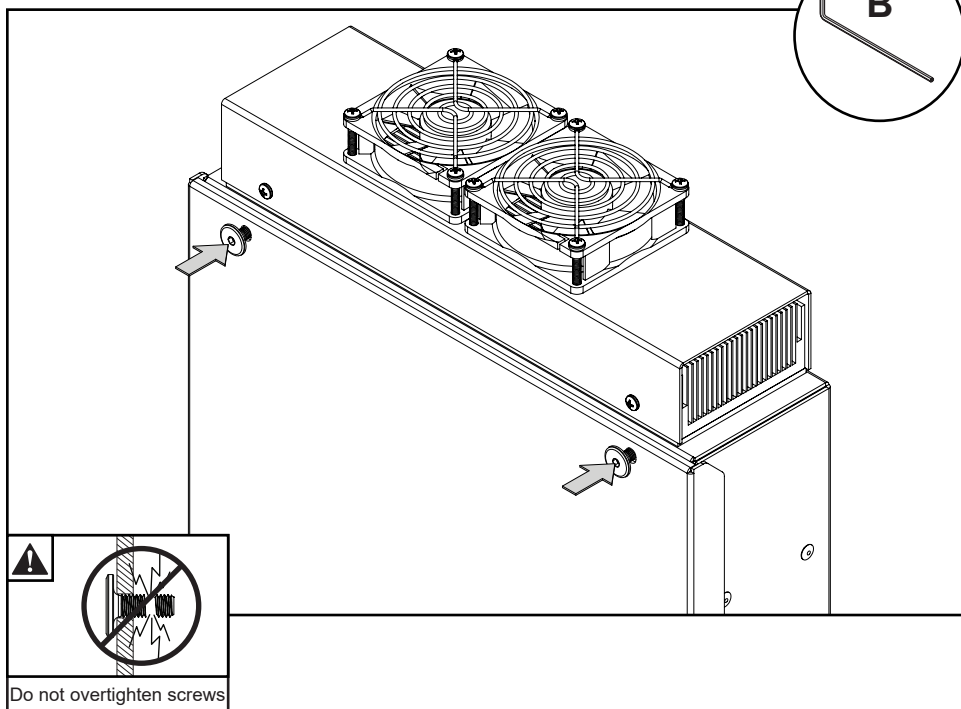


# 14-1

ENG Replace enclosure cover plate.

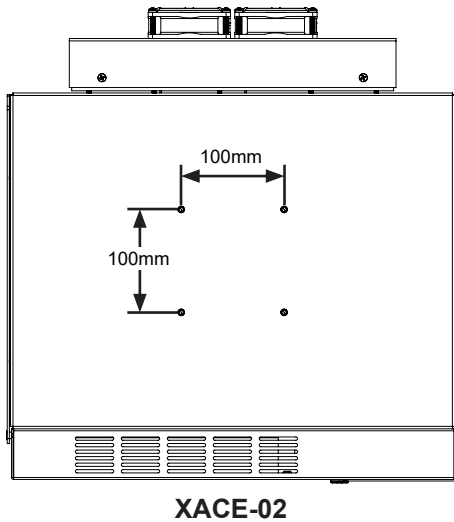
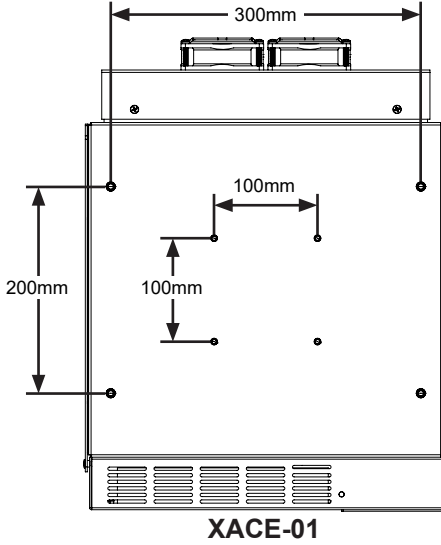


# 14-2



**▲ WARNING**

ENG - For your safety, only mount with a mount that supports the weight of the Electronics Enclosure and any internal hardware. When mounting the Electronics Enclosure outdoors or in harsh environments, only use wall mounts that are designed to resist water and rust.



## LIMITED TWO-YEAR WARRANTY

Peerless Industries, Inc. ("Peerless-AV") warrants to original end-users that each Peerless-AV® mounting product will be free from defects in material and workmanship, under normal use, for the applicable warranty period (from date of the original installation of the product). At its option, Peerless-AV will repair or replace, or refund the purchase price of, any product which fails to conform with this warranty.

**Any implied warranty of merchantability or fitness for a particular purpose shall be limited to the period of the express warranty set forth below.**

**In no event shall Peerless-AV be liable for incidental or consequential damages, whether or not secured by a security device which may be included with the product.**

Some states do not allow limitations on how long an implied warranty lasts, or the exclusion of incidental or consequential damages, so the above limitation and/or the above exclusion may not apply to you.

This warranty does not cover damage caused by incorrect selection, installation or the failure to follow Peerless-AV instructions or warnings when installing, using or storing the product.

This warranty gives specific legal rights, and you may also have other rights which vary from state to state. To make a warranty claim in North America, contact Peerless-AV customer care at 1-800-865-2112. See complete global warranty information for regions outside North America at [www.peerless-av.com/en-uk/customer-care/warranties-returns](http://www.peerless-av.com/en-uk/customer-care/warranties-returns).

The logo for Peerless-AV features the word "peerless" in a bold, lowercase, red sans-serif font. To its right, the letters "AV" are rendered in a red outline font, with a registered trademark symbol (®) to the upper right of the "V".

### Peerless-AV

2300 White Oak Circle  
Aurora, IL 60502  
Email: [tech@peerlessmounts.com](mailto:tech@peerlessmounts.com)  
Ph: (800) 865-2112  
Fax: (800) 359-6500  
[www.peerless-av.com](http://www.peerless-av.com)

© 2019, Peerless Industries, Inc.

### Peerless-AV Europe

Unit 3 Watford Interchange,  
Colonial Way, Watford, Herts,  
WD24 4WP, United Kingdom  
Customer Care  
44 (0) 1923 200 100  
[www.peerless-av.com](http://www.peerless-av.com)

© 2019, Peerless Industries, Inc.

### Peerless-AV de Mexico

Ave de las Industrias 413  
Parque Industrial Escobedo  
Escobedo N.L Mexico 66062  
Servicio al Cliente  
01-800-849-65-77  
[www.peerless-av.com](http://www.peerless-av.com)

© 2019, Peerless Industries, Inc.