

peerless-AV[®]

BLACK

KIL640

KIL642

KIL646

KIL647

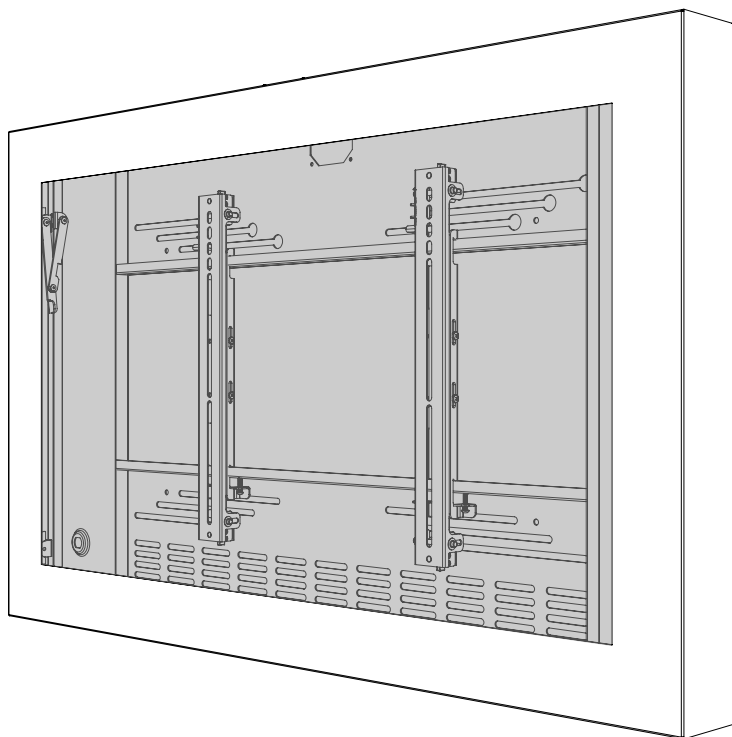
SILVER

KIL640-S

KIL642-S

KIL646-S

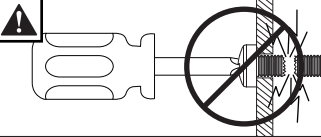
KIL647-S



▲ WARNING

ENG - Do not begin to install product until you have read and understood the instructions and warnings contained in this user guide. This product is designed to be installed on wood stud, solid concrete or cinder block walls. Hardware is included for wood stud, solid concrete and cinder block installation. Before installing make sure the supporting surface will support the combined load of the equipment and hardware. Screws must be tightly secured. Do not overtighten screws or damage can occur and product may fail. Never exceed the Maximum Load Capacity. Always use an assistant or mechanical lifting equipment to safely lift and position equipment. This product is intended for indoor use only. Use of this product outdoors could lead to product failure or personal injury. To reduce the risk of electric shock or fire, do not expose product to water or moisture. Be sure power cord is routed so that it will not be tripped on, stepped on, or pinched by heavy items. Avoid overloading electrical outlets or extension cords. Always disconnect the power cord from the power outlet when installing, servicing, or not using the product for an extended period of time. Do not block ventilation slots or fan exhaust on product. Blocking airflow could damage product. Arrange product to allow air to flow freely around product. Keep product away from direct sunlight or any source of heat. For support please call 800-4-SIGNAGE.

ENG Symbols

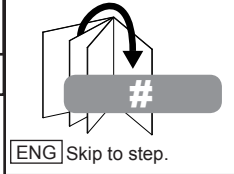


ENG WARNING



ENG Screws must get at least three full turns and fit snug.

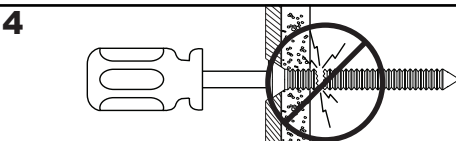
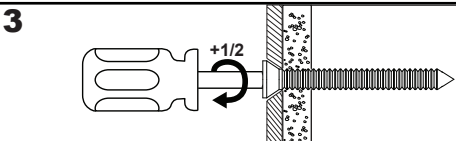
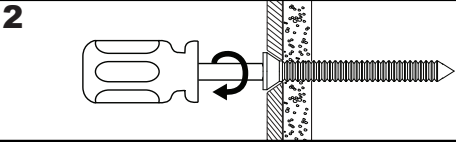
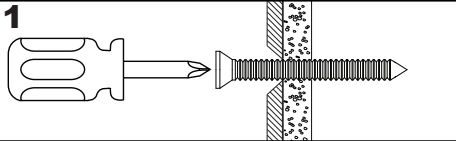
ENG Do not overtighten screws.



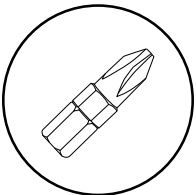
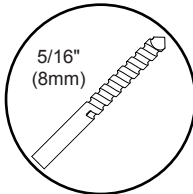
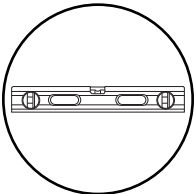
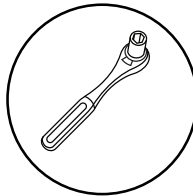
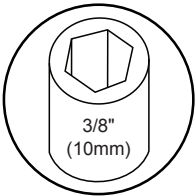
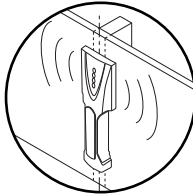
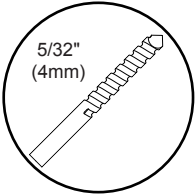
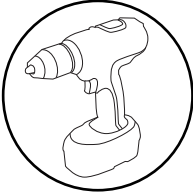
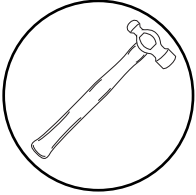
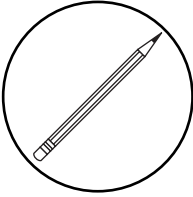
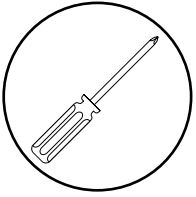
ENG Skip to step.



ENG To properly tighten screws: Tighten until screw head makes contact, then tighten another 1/2 turn. Do not overtighten screws.



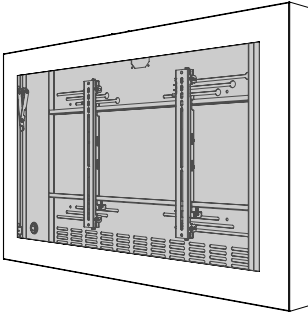
ENG Tools Needed for Assembly.



Parts List		KIL640	KIL642	KIL646	KIL647
Description	Qty	KIL640S Part #	KIL642S Part #	KIL646S Part #	KIL647S Part #
A Kiosk BLK Kiosk SLV	1	xxx-xxxx	xxx-xxxx	xxx-xxxx	xxx-xxxx
B M5 x 12mm	4	520-1027	520-1027	520-1027	520-1027
C M5 X 25mm	4	520-9543	520-9543	520-9543	520-9543
D M6 x 12mm	4	520-1128	520-1128	520-1128	520-1128
E M6 x 25mm	4	520-1208	520-1208	520-1208	520-1208
F M8 x 12mm	4	520-9571	520-9571	520-9571	520-9571
G M8 x 25mm	4	520-1031	520-1031	520-1031	520-1031
H M5/M4/M6 multi washer	4	580-1398	580-1398	580-1398	580-1398
I Spacer	4	540-1059	540-1059	540-1059	540-1059
J Key	2	565-0049A	565-0049A	565-0049A	565-0049A
K T-Wrench	1	560-1718	560-1718	560-1718	560-1718
L concrete anchor	4	590-0320	590-0320	590-0320	590-0320
M wood screw	4	5S1-015-C04	5S1-015-C04	5S1-015-C04	5S1-015-C04

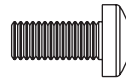
A (1)

Kiosk



B (8)

M5 x 12 mm



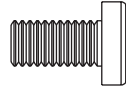
C (8)

M5 x 25 mm



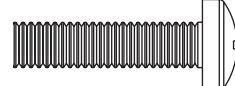
D (8)

M6 x 12 mm

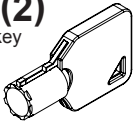


E (8)

M6 x 25 mm



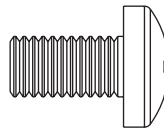
J (2)
key



K (1)
T-wrench

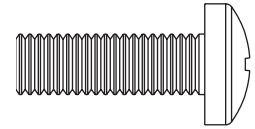
F (8)

M8 x 12 mm



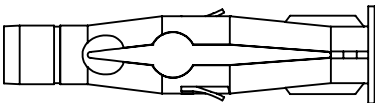
G (8)

M8 x 25 mm



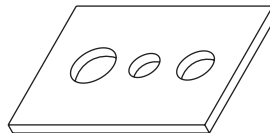
L (4)

8mm concrete anchor



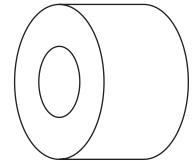
H (8)

M5/M4/M6 washer



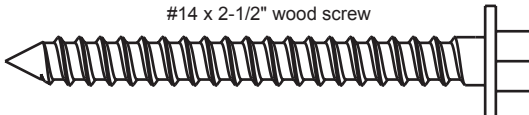
I (8)

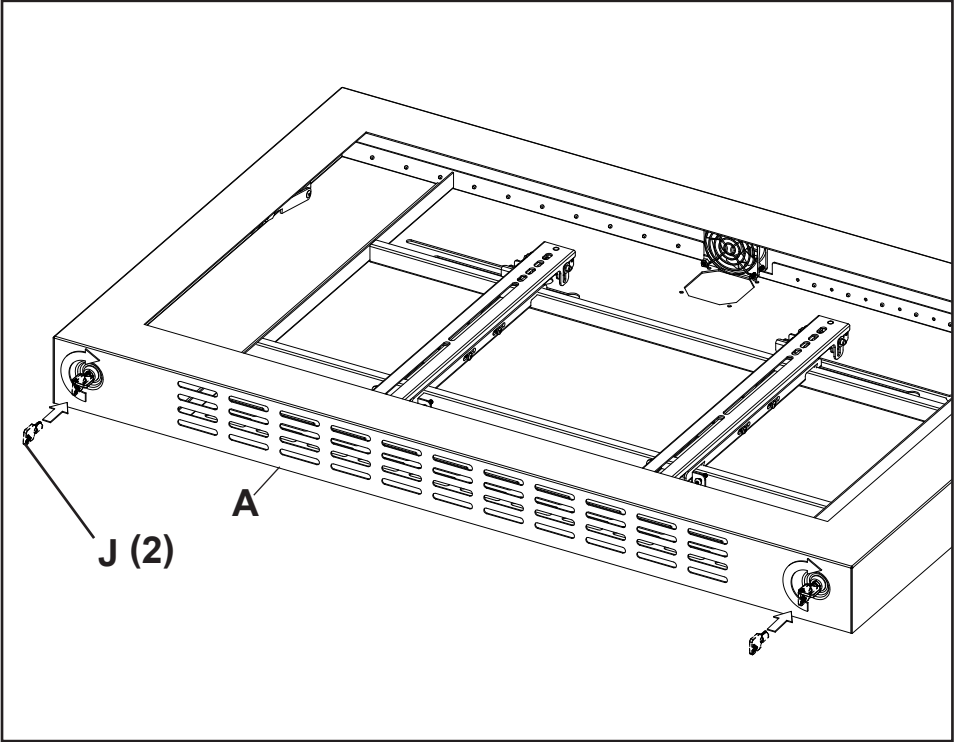
spacer

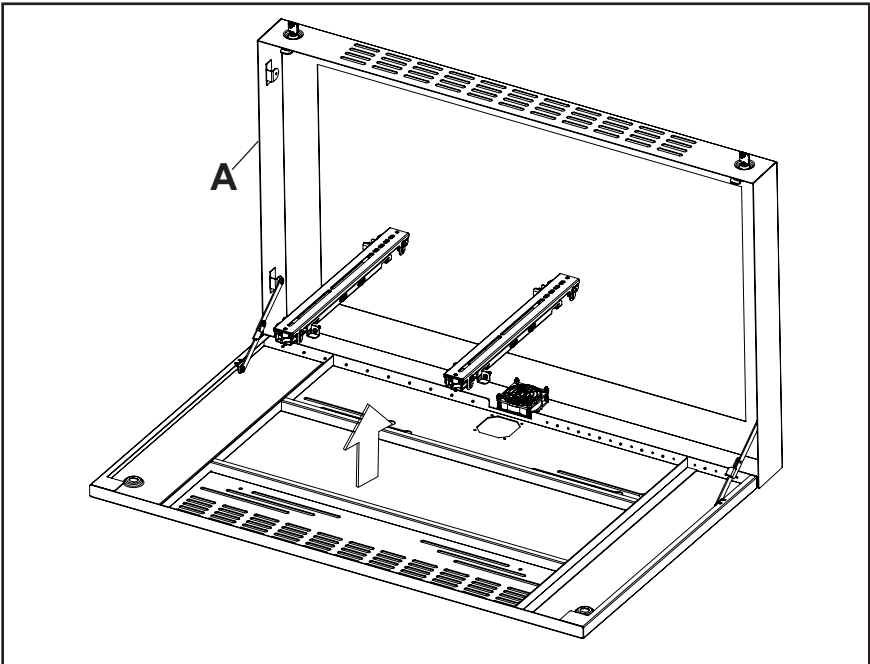
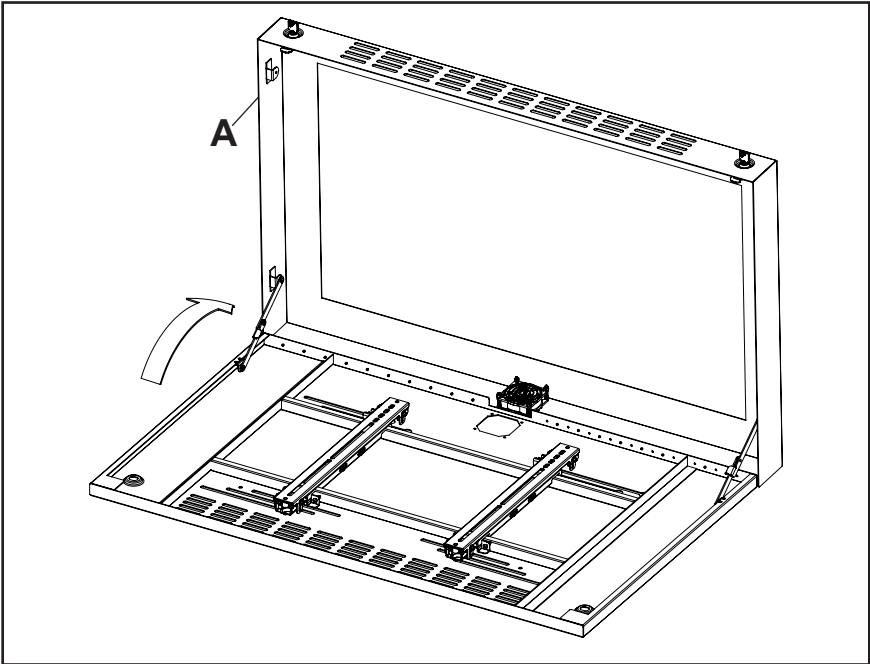


M (4)

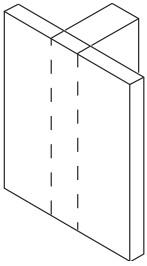
#14 x 2-1/2" wood screw



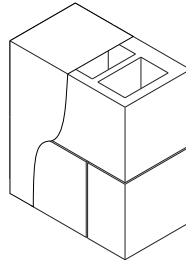




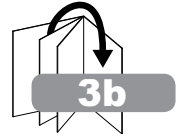
3



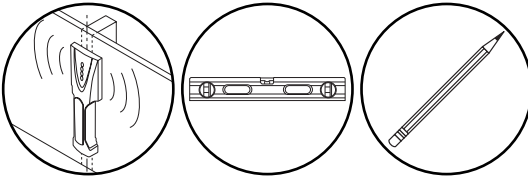
ENG Wood stud wall.



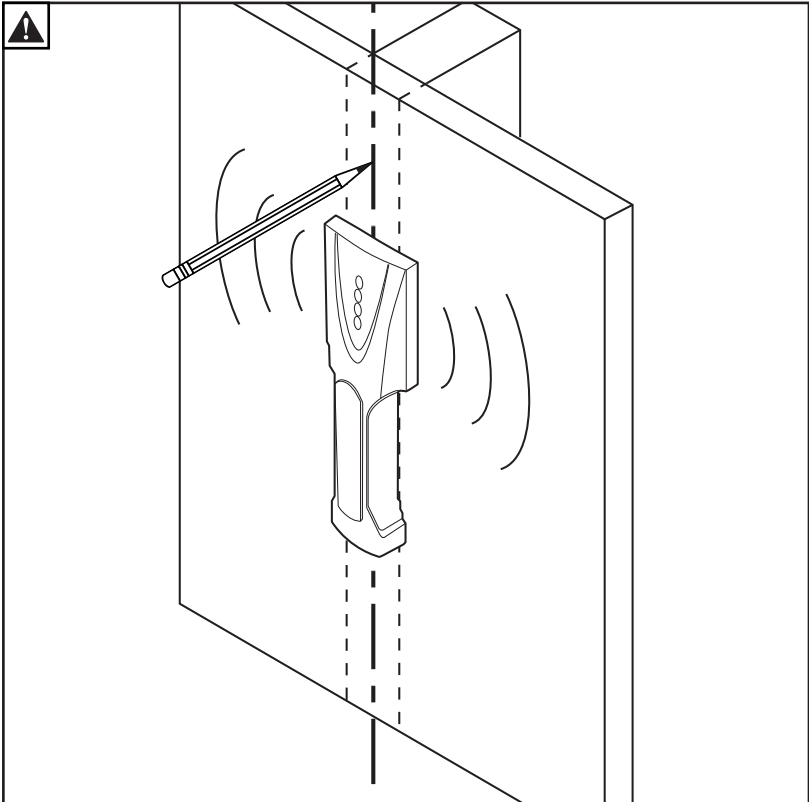
ENG Concrete/Cinder block.



3a-1

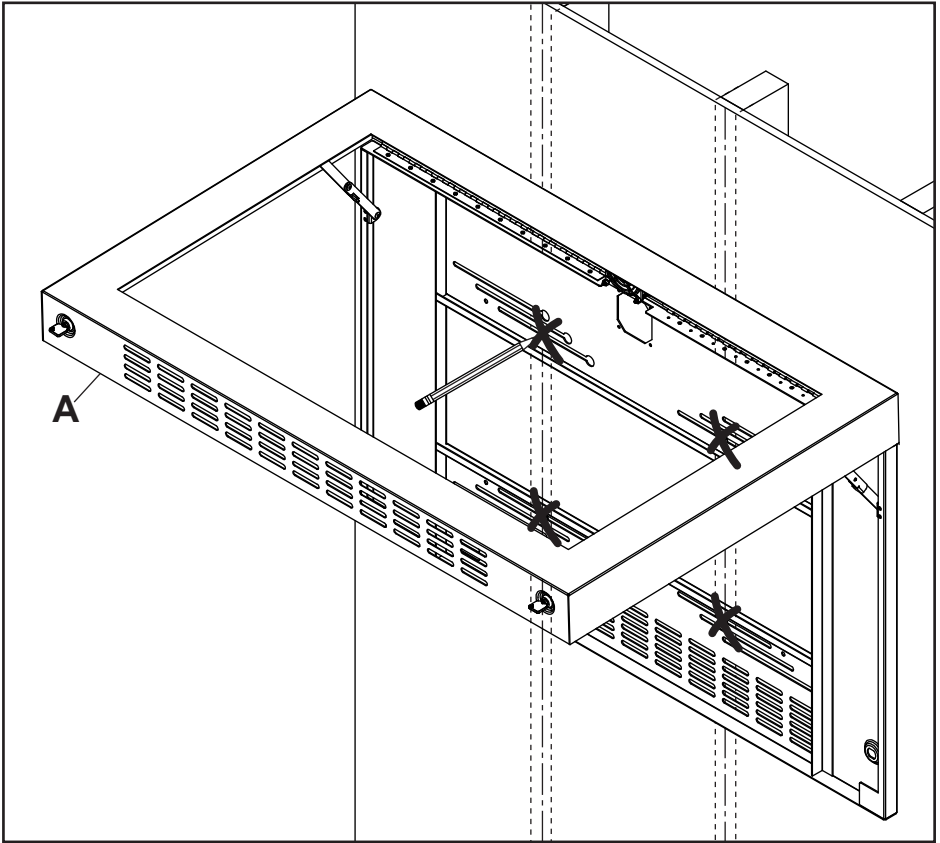
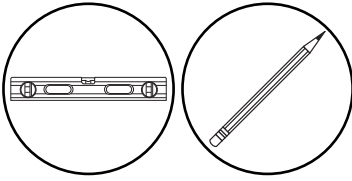


ENG Use stud finder to locate and mark stud center lines.

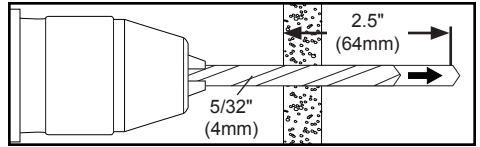
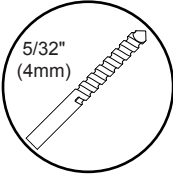
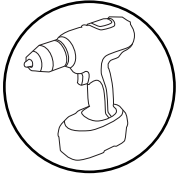


3a-2

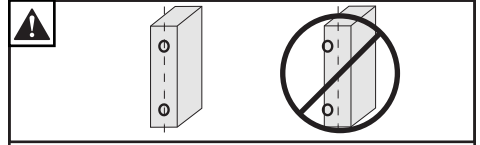
ENG Level wallplate. Mark mounting holes on stud center lines.



3a-3

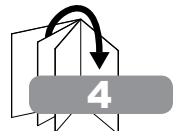
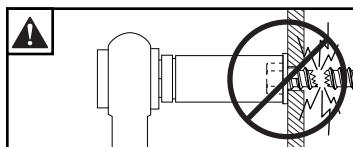
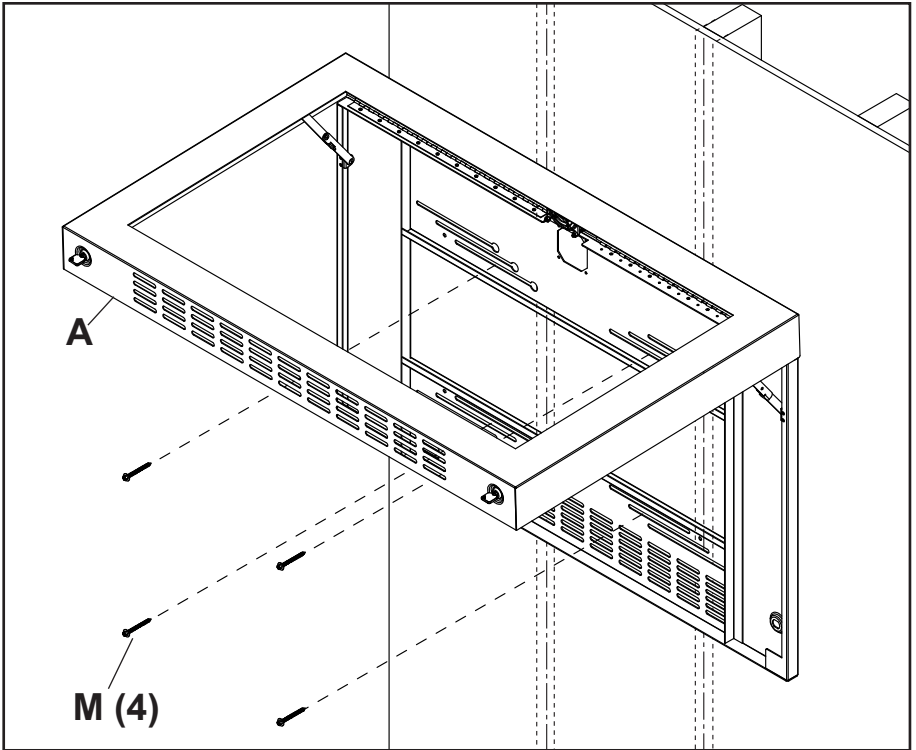
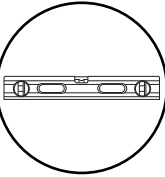
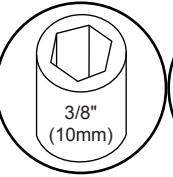


ENG Drill mounting holes into supporting surface (2.5" (64 mm) minimum depth required).



ENG Mounting hole must center on stud.

3a-4

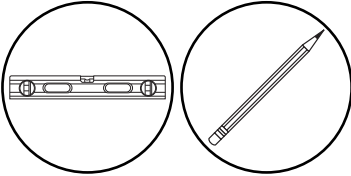


▲ WARNING

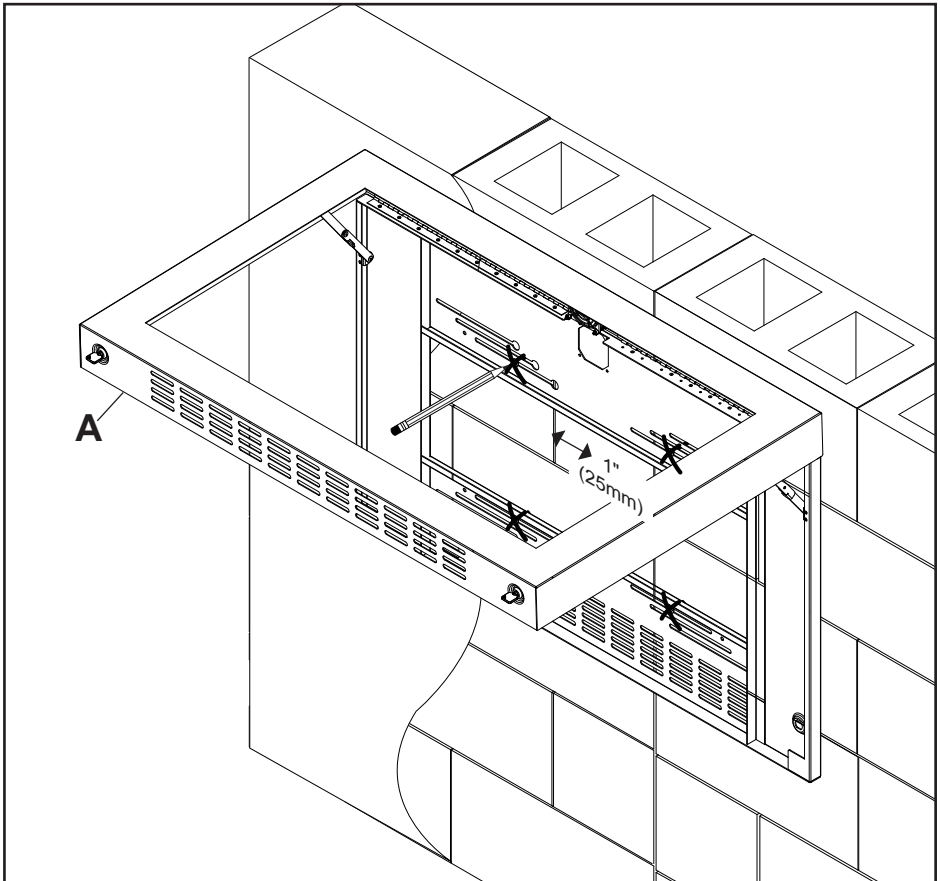
ENG • When installing Peerless wall mounts on a concrete wall, the wall must be at least 8" thick with a minimum compressive strength of 2000 psi.

- When installing Peerless wall mounts on a cinder block wall, the cinder blocks must meet ASTM C-90 specifications and have a minimum nominal width of 8". Do not drill into mortar joints! Be sure to mount in a solid part of the block, generally 1" (25 mm) minimum from the side of the block. It is suggested that a standard electric drill on slow setting is used to drill the hole instead of a hammer drill to avoid breaking out the back of the hole when entering a void or cavity.
- Never attach expansion anchors to concrete or cinder block covered with plaster, drywall or other finishing material.

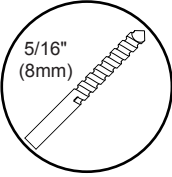
3b-1



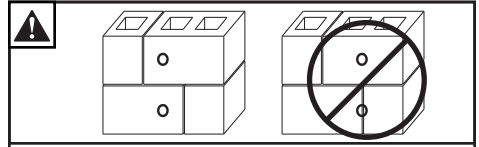
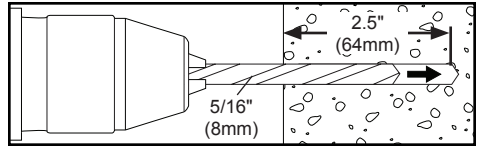
ENG Level wallplate. Mark mounting holes. Make sure mounting holes are 1" off mortar joints.



3b-2

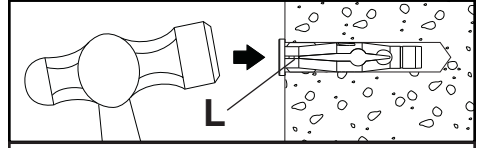
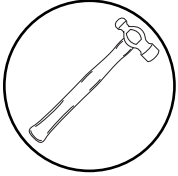


ENG Drill mounting holes into supporting surface (2.5" (64 mm) minimum depth required).

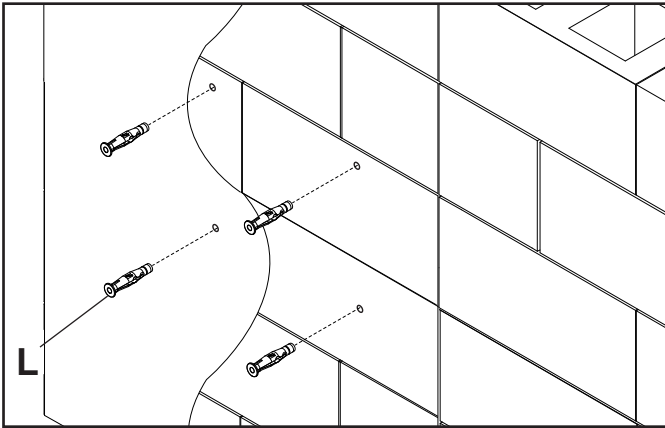


ENG Do not drill into mortar joints.

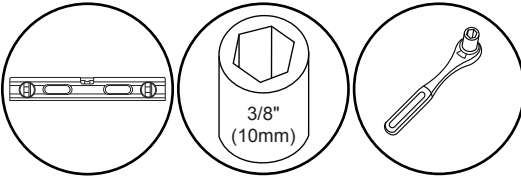
3b-3



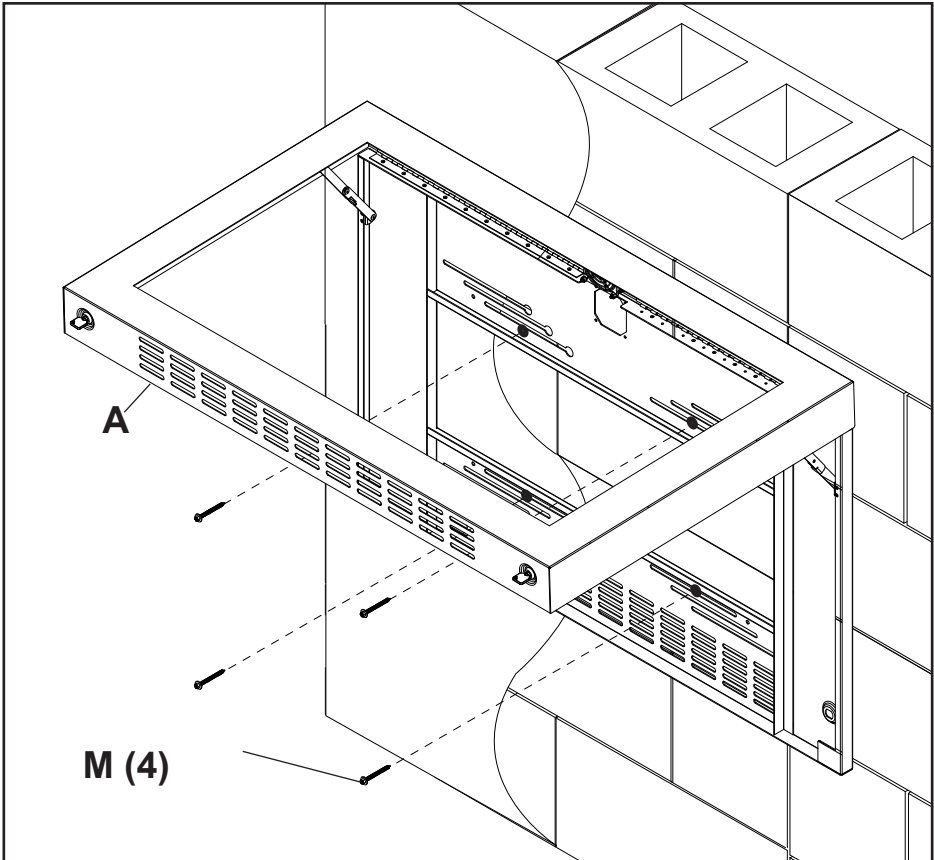
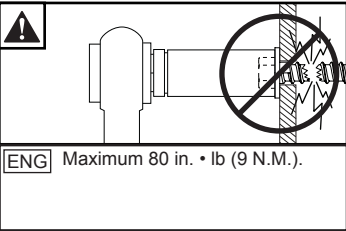
ENG Insert anchor flush to concrete.



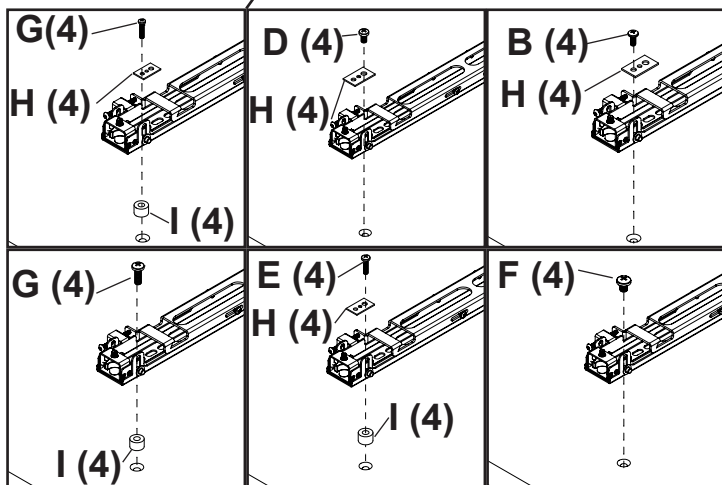
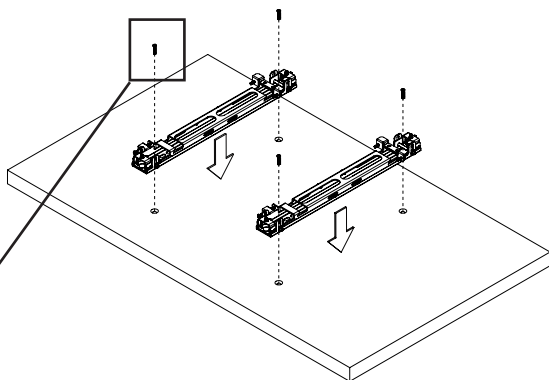
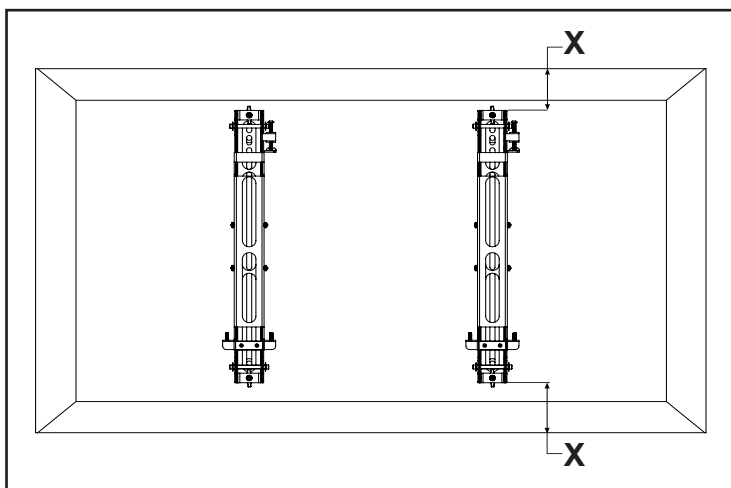
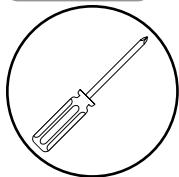
3b-4

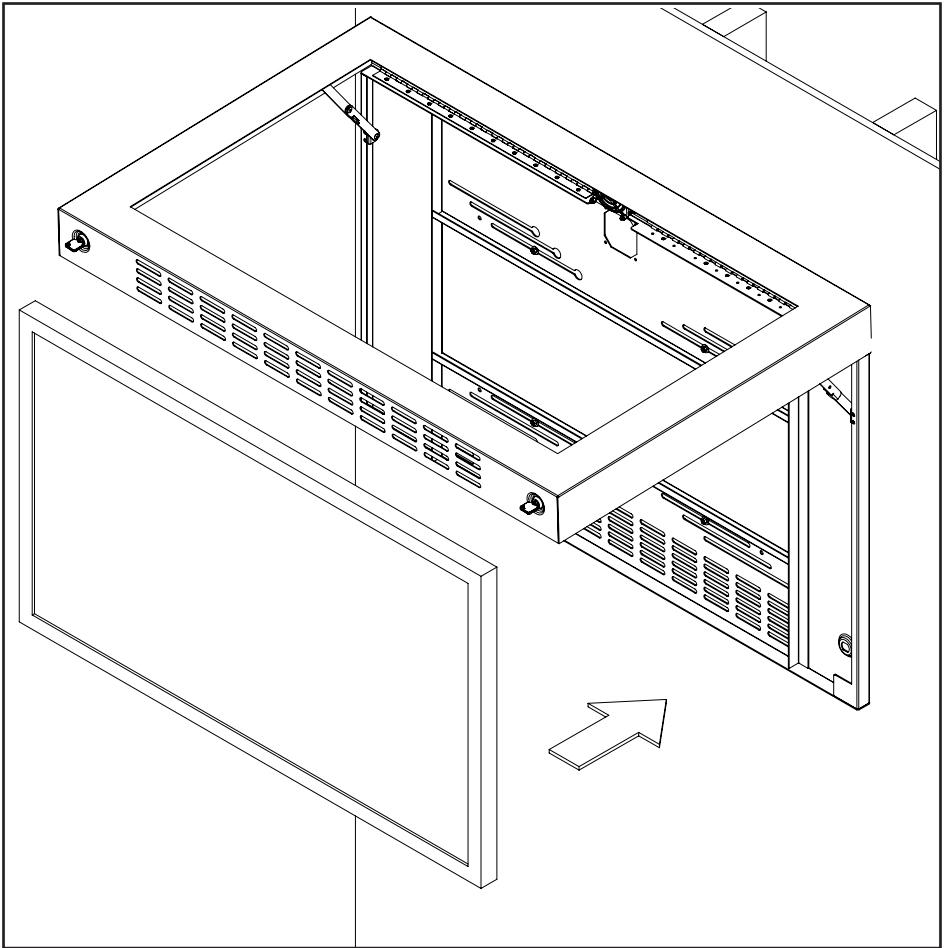


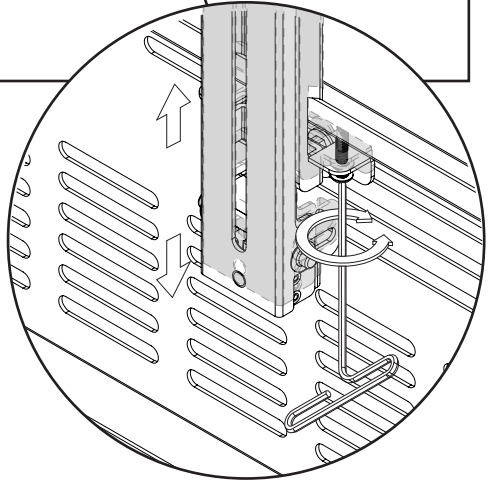
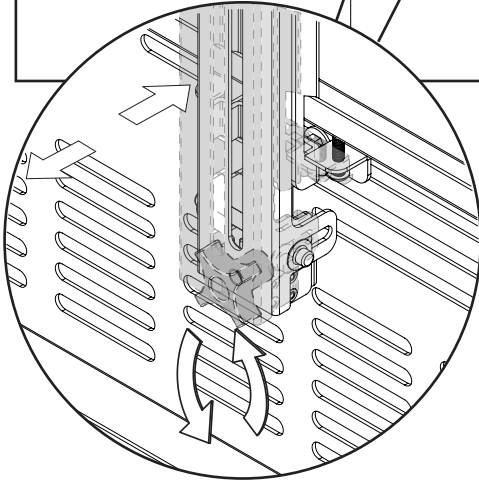
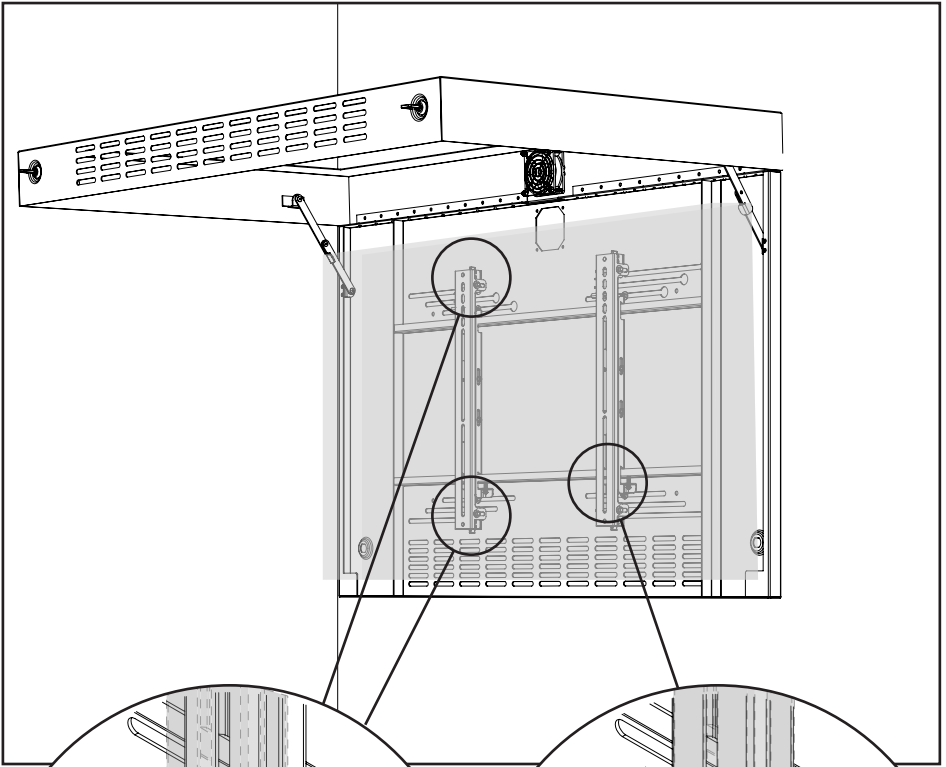
ENG Level wallplate. Install using concrete anchors and wood screws provided.

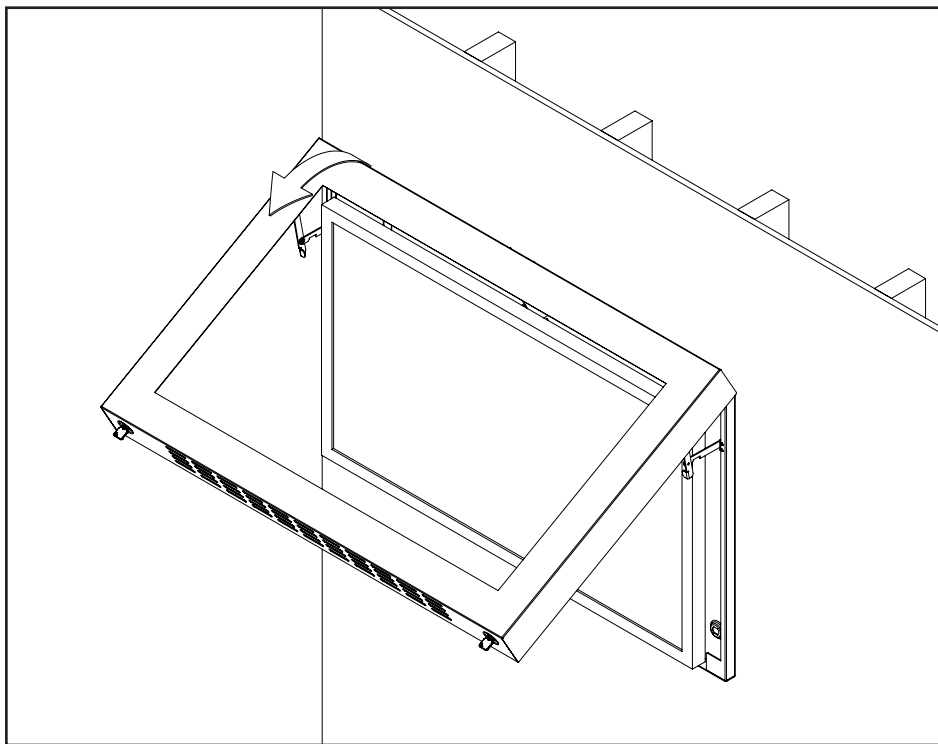


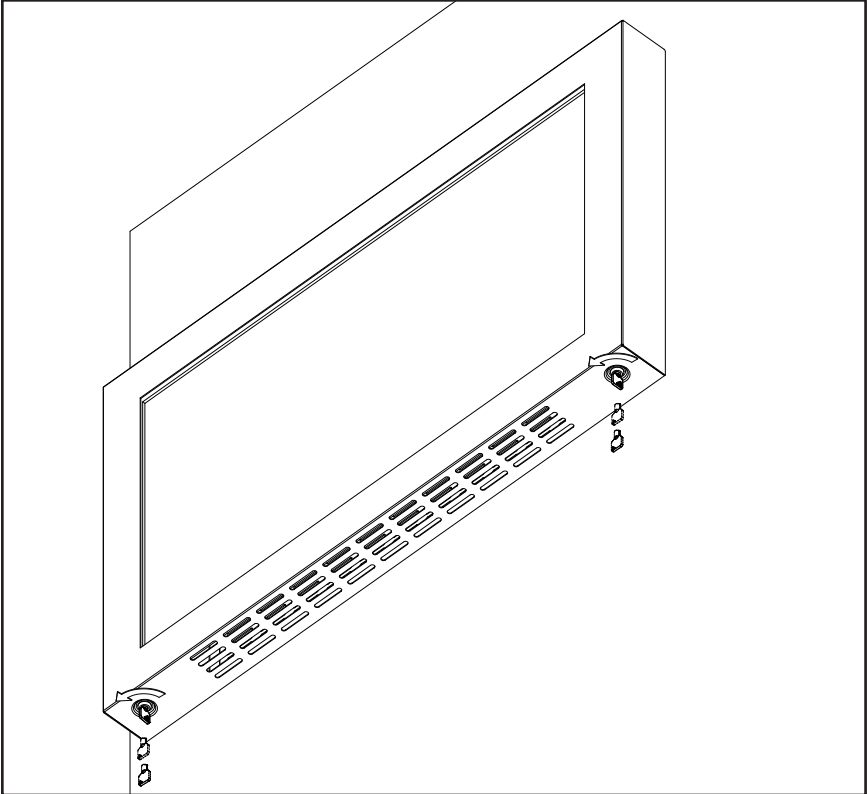
4











ENG This page intentionally left blank.

ENG This page intentionally left blank.

LIMITED FIVE-YEAR WARRANTY

Peerless Industries, Inc. ("Peerless") warrants to original end-users of Peerless® products will be free from defects in material and workmanship, under normal use, for a period of five years from the date of purchase by the original end-user (but in no case longer than six years after the date of the product's manufacture). At its option, Peerless will repair or replace, or refund the purchase price of, any product which fails to conform with this warranty.

In no event shall the duration of any implied warranty of merchantability or fitness for a particular purpose be longer than the period of the applicable express warranty set forth above. Some states do not allow limitations on how long a implied warranty lasts, so the above limitation may not apply to you.

This warranty does not cover damage caused by (a) service or repairs by the customer or a person who is not authorized for such service or repairs by Peerless, (b) the failure to utilize proper packing when returning the product, (c) incorrect installation or the failure to follow Peerless' instructions or warnings when installing, using or storing the product, or (d) misuse or accident, in transit or otherwise, including in cases of third party actions and force majeure.

In no event shall Peerless be liable for incidental or consequential damages or damages arising from the theft of any product, whether or not secured by a security device which may be included with the Peerless® product. Some states do not allow the exclusion or limitation of incidental or consequential damages, so the above limitation or exclusion may not apply to you.

This warranty is in lieu of all other warranties, expressed or implied, and is the sole remedy with respect to product defects. No dealer, distributor, installer or other person is authorized to modify or extend this Limited Warranty or impose any obligation on Peerless in connection with the sale of any Peerless® product.

This warranty gives specific legal rights, and you may also have other rights which vary from state to state.

Patent Pending

The logo for Peerless-AV features the word "peerless" in a bold, lowercase, red sans-serif font. To its right, the letters "AV" are rendered in a red outline font, with a small registered trademark symbol (®) to the upper right of the "V".

Peerless-AV
2300 White Oak Circle
Aurora, IL 60502
Email: tech@peerlessmounts.com
Ph: (800) 865-2112
Fax: (800) 359-6500
www.peerless-av.com

© 2013, Peerless Industries, Inc.