

GENTEX CORPORATION

A Smarter Vision®
VISIBLE AND/OR AUDIBLE SIGNALING APPLIANCES

GEC24, GES24, GEH24 GEC3-24 & GES3-24 SERIES
 ANSI/UL & CAN/ULC COMPLIANT

GECA24, GESA24, GECB24, GESB24, GECG24, GESG24, GECR24 & GESR24, WGEC24, WGES24, WGECA24, WGESA24, WGEGB24, WGESB24, WGEGB24, WGESG24, WGEGB24 & WGESR24 SERIES
 ANSI/UL & CAN/ULC COMPLIANT



ADDITIONAL CAN/ULC LISTED PRODUCT INFORMATION IS FOUND ON PAGES 5 AND 6

I. INTRODUCTION

The Gentex models GEC24, GES24, GEH24, GEC3-24, GES3-24, WGEC24, WGES24, GECA24, GESA24, GECB24, GESB24, GECG24, GESG24, GECR24, GESR24, WGECA24, WGESA24, WGEGB24, WGESB24, WGEGB24, WGESG24, WGEGB24, WGESR24 are high quality audible and/or visible signaling appliances. The high intensity strobe utilizes a Xenon flash tube that generates a high-intensity flash visible from all angles. This appliance is intended to provide a visible, audible or audible/visible, depending on the model, notification signal for the purpose of life safety and property protection. The GEC3-24, GES3-24, GECA24, GESA24, GECB24, GESB24, GECG24, GESG24, GECR24, GESR24 are provided with a slider switch which allows for candela selection at the installation site; the candela intensities which can be selected are 15Cd, 30Cd, 60Cd, 75Cd, or 110Cd (24VDC only). The GEC24 and GES24 are fixed candela units; the candela intensities which can be ordered, are 177Cd and 15/75Cd. The WGEC24, WGES24, WGECA24, WGESA24, WGEGB24, WGESB24, WGEGB24, WGESG24, WGEGB24, WGESR24 are fixed candela units, available in a 75 candela intensity only. This appliance is ideal for any occupancy that requires notification appliances per the applicable building or fire code or wherever dependable alarms are required.

The GEC24, GES24, GEC3-24, GES3-24 strobe is listed in compliance with ANSI/UL 1971, Signaling Appliances for the Hearing Impaired (the 15/75Cd model on the GEC24 and GES24 is additionally listed in compliance with ANSI/UL 1638). The WGEC24, WGES24, GECA24, GESA24, GECB24, GESB24, GECG24, GESG24, GECR24, GESR24, WGECA24, WGESA24, WGEGB24, WGESB24, WGEGB24, WGESG24, WGEGB24, WGESR24 strobe is listed in compliance with ANSI/UL 1638, Visual Signaling Appliances - Private Mode Emergency and General Signaling. Additionally, colored lens models GECA24, GESA24, GECB24, GESB24, GECG24, GESG24, GECR24, GESR24 comply with the polar dispersion requirements of ANSI/UL 1971.

II. LOCATION

This appliance is intended for use in fire alarm systems and is to be installed in accordance with this manual, the recommendation of the local authorities having jurisdiction, and other NFPA documents that provide standards on notification appliances for protective signaling systems. The GEC24, GES24, GEH24, GEC3-24, GES3-24, GECA24, GESA24, GECB24, GESB24, GECG24, GESG24, GECR24, GESR24 are intended for indoor installations only; this appliance is **not** listed for **outdoor** or drip proof applications. The WGEC24, WGES24, WGECA24, WGESA24, WGEGB24, WGESB24, WGEGB24, WGESG24, WGEGB24, WGESR24 are intended for indoor or outdoor installations; this appliance is rated for outdoor or drip proof applications when used in conjunction with the GOE or GOELP Enclosure.

Wall mounted strobe and horn/strobe appliances shall have their entire lens at heights above the finished floor of not less than 80 in. (2m) and not greater than 96 in. (2.4m)**. Spacing shall be in accordance with Table A. If a room configuration is not square, the room size that will entirely encompass the room or subdivide the room into multiple squares shall be used. Wall mounted horn only appliances shall have their tops above the finished floors at heights of not less than 90 in. (2.30m) and below the finished ceilings at heights of not less than 6 in. (152mm). Different mounting heights shall be permitted by the AHJ provided the sound pressure level requirements of NFPA 72 are met.

III. MOUNTING, ROUGH-IN BOX AND RUN WIRING

This unit is designed for mounting to most single gang boxes, 4" square outlet boxes, 2-gang masonry boxes or non-metallic 2-gang switch boxes. Conduit entrance to boxes should be selected to insure sufficient wiring clearance.

- Run a minimum 18 gauge insulated 2 or more conductor cable.
- Mount a box for each remote signaling appliance. Screw bracket onto box. Insert signal into bracket and slide to the right firmly into the terminal block receptacle. Place housing over mounted assembly and screw together with single screw at the bottom of the signal. Cover screw with plastic tab.

NOTICE: WIRING SHOULD BE CONNECTED TO MOUNTING BRACKET PRIOR TO MOUNTING SIGNAL. INCOMING POSITIVE POWER LEAD MUST BE BROKEN AND EACH LEAD IS TO BE INSERTED INTO EACH OF THE TOP TWO TERMINALS. IF TWO POWER RUNS ARE MADE TO THE SIGNAL, ONE FOR THE STROBE AND ONE FOR THE HORN, ONLY ONE OF THE RUNS MUST HAVE ITS POSITIVE LEAD BROKEN AND PLACED UNDER THE TWO SEPARATE TOP TERMINALS. A BARRIER IS PROVIDED TO PREVENT BOTH LEADS FROM BEING PLACED UNDER THE SAME TERMINAL.

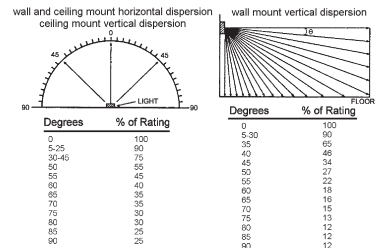
GEC24, GES24, GEC3-24, GES3-24 PRODUCT INFORMATION

Table A

Room Spacing for Wall-Mounted Visible Appliances per NFPA 72, 2013 Edition			
Maximum Room Size		Minimum Required Light Output (Effective Intensity, Cd)	
Meters	Feet	One Light per Room	Four Lights per Room (One Light per Wall)
6.10 x 6.10	20 x 20	15	NA
8.53 x 8.53	28 x 28	30	NA
9.14 x 9.14	30 x 30	34	NA
12.2 x 12.2	40 x 40	60	15
13.7 x 13.7	45 x 45	75	19
15.2 x 15.2	50 x 50	94	30
16.5 x 16.5	54 x 54	110	30
16.8 x 16.8	55 x 55	115	30
18.3 x 18.3	60 x 60	135	30
19.2 x 19.2	63 x 63	150	37
20.7 x 20.7	68 x 68	177	43
21.3 x 21.3	70 x 70	184	60
24.4 x 24.4	80 x 80	240	60
27.4 x 27.4	90 x 90	304	95
30.5 x 30.5	100 x 100	375	95
33.5 x 33.5	110 x 110	455	135
36.6 x 36.6	120 x 120	540	135
39.6 x 39.6	130 x 130	635	185

NA = Not allowable

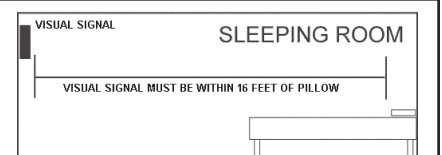
LIGHT OUTPUT IN PERCENTAGE WHEN MEASURED FROM THE FOLLOWING DIRECTIONS - PER UL1971



**Effective Intensity Requirements for Sleeping Areas

Visible Notification Appliance	Intensity
Distance from Ceiling to Top of Lens	
greater than or equal to 24"	110cd
less than 24"	177cd

CAUTION: Strobe light must be installed within 16 feet of the pillow when used in a sleeping area.



WARNING Strobe light can not be seen when objects such as doors, furniture or walls block strobe light.

NOTICE:

- THE VISUAL SIGNAL MUST BE IN THE DIRECT VIEWING AREA OF THE OCCUPANT IN ORDER TO BE SEEN.
- VISUAL SIGNALS FOR THE HEARING IMPAIRED ARE ONLY ONE METHOD OF ALERTING THE HEARING IMPAIRED. VISUAL SIGNALS MAY NOT BE THE PREFERRED METHOD FOR NOTIFYING ALL HEARING IMPAIRED INDIVIDUALS.
- THE STROBE LIGHT MUST BE SEEN BY THE SLEEPING PERSON. IF THE PERSON HAS HEAD TURNED OR OTHERWISE UNABLE TO BE ALERTED BY VISUAL, THE STROBE WILL NOT BE EFFECTIVE.

24VDC CLEAR Lens Indoor Strobe Current Ratings

GEC24 and GES24 Series Available Candela	GEC3-24 and GES3-24 Series Available Candela	Strobe Candela	Regulated 24VDC Max. Operating Current(mA)	Regulated 24VFWR Max. Operating Current (mA) ¹	24VDC Nominal Operating Current (mA)
	◆	15	42	77	30
◆		15/75	67	113	N/A
	◆	30	58	102	42
	◆	60	97	161	66
	◆	75	116	225	80
	◆	110	161	256	103
◆		177	213	341	N/A

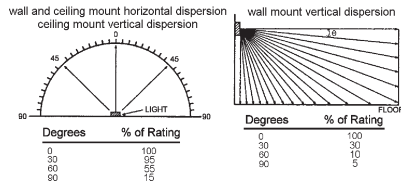
NOTICE: DC VOLTAGE RANGE LIMITS: 16-33V. FWR VOLTAGE RANGE LIMITS: 16-33V. THIS PRODUCT WAS ONLY TESTED TO THE STATED VOLTAGE RANGE(S); DO NOT APPLY 80% AND 110% OF THIS RANGE FOR SYSTEM OPERATION.

¹ When using products manufactured after 7-1-10, these values are to be used when calculating current draws.

N/A: 24VDC nominal operating current data not available

WGEC24, WGES24, WGECA24, WGESA24, WGECB24, WGESB24, WGECC24, WGESG24, WGECC24, WGESR24 PRODUCT INFORMATION

LIGHT OUTPUT IN PERCENTAGE WHEN MEASURED FROM THE FOLLOWING DIRECTIONS - PER UL1638



24VDC BLUE, GREEN & RED Lens Outdoor Strobe Current Ratings		
Use with WGECB24, WGESB24, WGECC24, WGESG24, WGECC24, WGESR24 Products		
Candela	Regulated 24VDC Max. Operating Current (mA)	Regulated 24VFWR Max. Operating Current (mA) ¹
75	164	278

24VDC CLEAR & AMBER Lens Outdoor Strobe Current Ratings		
Use with WGECA24, WGES24, WGECA24, WGES24 Products		
Candela	Regulated 24VDC Max. Operating Current (mA)	Regulated 24VFWR Max. Operating Current (mA) ¹
75	170	263

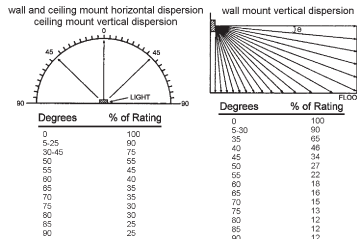
NOTICE: DC VOLTAGE RANGE LIMITS: 16-33V. FWR VOLTAGE RANGE LIMITS: 16-33V. THIS PRODUCT WAS ONLY TESTED TO THE STATED VOLTAGE RANGE(S); DO NOT APPLY 80% AND 110% OF THIS RANGE FOR SYSTEM OPERATION.

¹ When using products manufactured after 7-1-10, these values are to be used when calculating current draws.

Models	Color Lens
WGECA24, WGES24	Amber
WGECB24, WGESB24	Blue
WGECC24, WGESG24	Green
WGECC24, WGESR24	Red

GECA24, GESA24, GECB24, GESB24, GECG24, GESG24, GECC24, GESR24 PRODUCT INFORMATION

LIGHT OUTPUT IN PERCENTAGE WHEN MEASURED FROM THE FOLLOWING DIRECTIONS - PER UL171



AMBER Lens Indoor Strobe Current Ratings		
Use with GECA24 and GESA24 Products		
Candela	Regulated 24VDC Max. Operating Current (mA)	Regulated 24VFWR Max. Operating Current (mA) ¹
15	47	82
30	64	112
60	113	178
75	145	213
110	178	259

BLUE, GREEN & RED Lens Indoor Strobe Current Ratings		
Use with GECB24, GESB24, GECG24, GESG24, GECC24, GESR24 Products		
Candela	Regulated 24VDC Max. Operating Current (mA)	Regulated 24VFWR Max. Operating Current (mA) ¹
15	105	164
30	130	196
60	203	325
75	243	355
110	310	491

NOTICE: DC VOLTAGE RANGE LIMITS: 16-33V. FWR VOLTAGE RANGE LIMITS: 16-33V. THIS PRODUCT WAS ONLY TESTED TO THE STATED VOLTAGE RANGE(S); DO NOT APPLY 80% AND 110% OF THIS RANGE FOR SYSTEM OPERATION.

¹ When using products manufactured after 7-1-10, these values are to be used when calculating current draws.

Models	Color Lens
GECA24, GESA24	Amber
GECB24, GESB24	Blue
GECG24, GESG24	Green
GECC24, GESR24	Red

HORN DECIBEL AND CURRENT RATINGS PRODUCT INFORMATION

Horn Mode	Horn Decibel Levels: Reverberant Room		Horn Current Ratings Over Input Voltage Range of 16-33V		24VDC Nominal Horn Current Ratings	
	Minimum SPL at 10ft. Per ANSI/UL 464 (HIGH)	Minimum SPL at 10ft. Per ANSI/UL 464 (LOW)	Regulated 24VDC Max. Operating Current (mA) HIGH Setting	Regulated 24VFWR Max. Operating Current (mA) HIGH Setting	24VDC Operating Current (mA) HIGH Setting	24VFWR Operating Current (mA) HIGH Setting
Temp 3 2400Hz	78 dBA	71* dBA	28	48	10.7	26.8
Temp 3 Mechanical	76 dBA	70* dBA	25	44	9.7	24.5
Temp 3 Chime	70* dBA	66* dBA	15	30	8.6	20.6
Continuous 2400Hz	81 dBA	74* dBA	28	48	20.4	43.7
Continuous Mechanical	80 dBA	72* dBA	25	44	17.0	39.3
Continuous Chime	70* dBA	66* dBA	15	30	9.6	23.0
Whoop	82 dBA	69* dBA	56	62	45.4	60.2

NOTICE:

- THE THREE PULSE TEMPORAL PATTERN IS TO BE USED FOR EVACUATION USE ONLY.
- THE SOUND OUTPUT FOR THE TEMPORAL 3 TONE IS RATED LOWER SINCE THE TIME THE HORN IS OFF IS AVERAGED INTO THE SOUND OUTPUT RATING. WHILE THE HORN IS PRODUCING A TONE IN THE TEMPORAL 3 MODE ITS SOUND PRESSURE IS THE SAME AS THE CONTINUOUS MODE. UNITS HAVE BEEN TESTED TO 0°C, 49°C AND 93% HUMIDITY.

* Operating the horn in this mode at this voltage will result in not meeting the minimum ANSI/UL 464 sound level required for public mode fire protection service. These settings are acceptable only for private mode fire alarm signaling use. Use the high dBA setting for public mode applications (the chime tone is always private mode).

IV. WIRING

Wiring for synchronized strobes and horns.

Using this method you may:

- Use only two wires to synchronize the temporal horn and strobe with the ability to mute the horn (place switches 1 and 2 in the ON position on the GEC24, GEC3-24, WGEC24, GECA24, GECB24, GECG24, GECR24, WGECA24, WGECB24, WGECG24, WGECR24).
- Mute the horn **only** when the temporal horn option has been selected.
- Use the Gentex synchronization protocol to provide synchronization and mute the horn, if available.

Wiring for synchronized parallel (unison) horn/strobe operation.

Using this method you may:

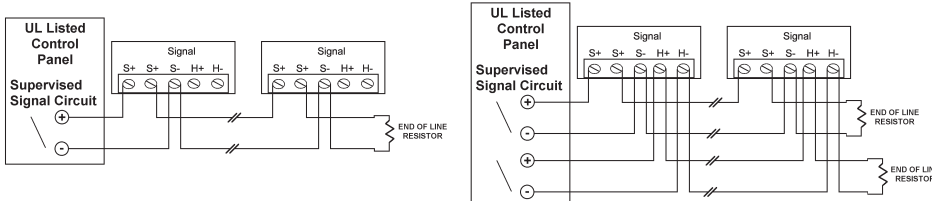
- Use four wires where two wires are used to power and synchronize the strobe and two additional wires are used to power and synchronize the horn (place switches 1 and 2 in the OFF position on the GEC24, GEC3-24, WGEC24, GECA24, GECB24, GECG24, GECR24, WGECA24, WGECB24, WGECG24, WGECR24).
- Choose either continuous horn and allow the FACP to control the horn or choose temporal horn and synchronize the horns with the Gentex synchronization protocol.
- Use the Gentex synchronization protocol to provide synchronization and mute the horn, if available.

NOTICE:

- FOR THIS OPTION, SWITCHES 1 AND 2 ON THE GEC24, GEC3-24, WGEC24, GECA24, GECB24, GECG24, GECR24, WGECA24, WGECB24, WGECG24, WGECR24 MUST BE IN THE OFF POSITION TO ISOLATE POWER TO THE AUDIBLE AND VISIBLE PORTION OF THE CIRCUIT.
- ALL STROBES ARE DESIGNED TO FLASH AS SPECIFIED WITH CONTINUOUS APPLIED VOLTAGE. THIS APPLIANCE IS NOT RECOMMENDED FOR USE ON CODED OR PULSING SIGNALING CIRCUITS. HOWEVER, USE OF THE AVSM CONTROL MODULE IS PERMITTED TO SYNCHRONIZE THE STROBE AND/OR MUTE THE HORN.
- SEE AVSM CONTROL MODULE MANUAL (550-0284, MANUAL ISSUE DATE 2-1-03) FOR SYNCHRONIZATION MODULE WIRING DIAGRAMS. AVSM MANUAL CAN BE OBTAINED AT [HTTP://WWW.GENTEX.COM/FIRE/PRODUCTS](http://www.gentex.com/fire/products) OR CALL GENTEX CORPORATION AT 1-800-436-8391.

Conventional Method:

You may connect both the strobe and the horn directly from a source of rated power without the use of a control module. However, the horns and strobe lights will NOT be synchronized. Place switches 1 and 2 in the ON position on the GEC24, GEC3-24, WGEC24, GECA24, GECB24, GECG24, GECR24, WGECA24, WGECB24, WGECG24, WGECR24 to power both the audible and visible from a single pair of power wires. If you wish to power the horn and strobe from independent sources of power, place switches 1 and 2 in the OFF position on the GEC24, GEC3-24, WGEC24, GECA24, GECB24, GECG24, GECR24, WGECA24, WGECB24, WGECG24, WGECR24 and connect power to the appropriate terminals.



MAX. WIRE DISTANCE (IN FEET)	= $\frac{(\text{PANEL VOLTAGE} - \text{APPLIANCE MIN. VOLT}) \times \text{WIRE CONDUCTIVITY}}{\text{TOTAL CURRENT DRAW}}$	
	WIRE	CONDUCTIVITY
	18AWG	60
	16AWG	95
	14AWG	153
	12AWG	244

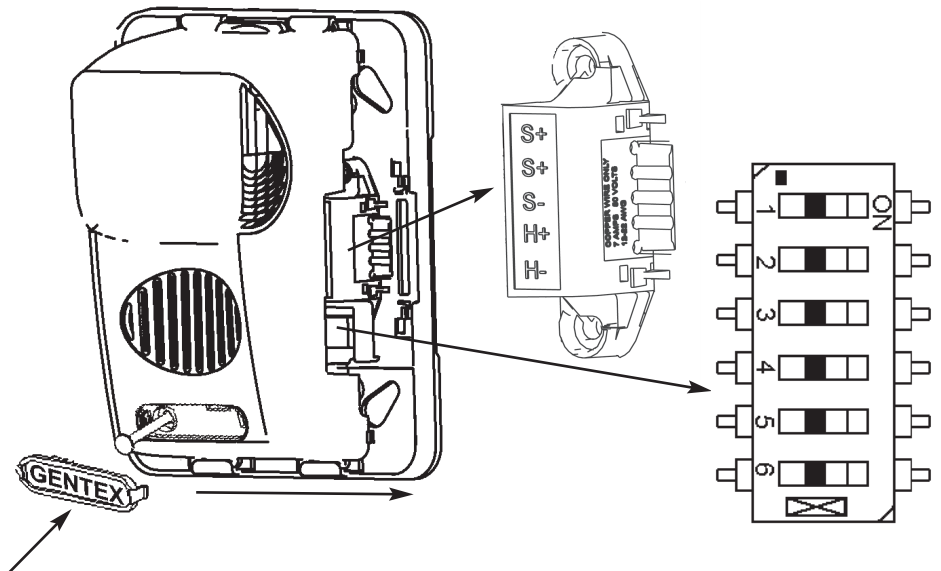
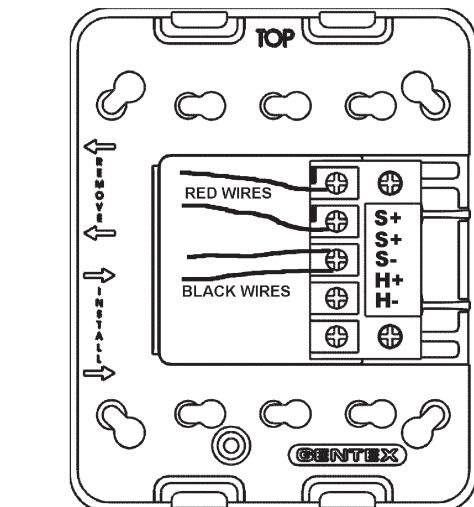
Includes wire to and from appliance. **CAUTION:** Applies only to regulated supplies. Assumes all appliances are at the end of wire run (worst case).

CAUTION: When using only a single power source to energize the strobe and horn (switches 1 and 2 in the ON position), the in/out wiring must be under the S+ and S- terminals only. Failure to do so may result in damage to your signal. For the horn only (GEH24) and strobe only (GES24, GES3-24, WGES24, GESA24, GESB24, GESG24, GESR24, WGESA24, WGESB24, WGESG24, WGESR24), only the top three terminals are to be used.

TONE	SWITCH POSITION		
	3	4	5
Mechanical Temporal 3	ON	ON	ON
Mechanical - Continuous	OFF	ON	ON
2400Hz - Temporal 3	ON	OFF	ON
2400Hz - Continuous	OFF	OFF	ON
Chime - Temporal 3	ON	ON	OFF
Chime - Continuous	OFF	ON	OFF
Whoop	ON	OFF	OFF
Whoop	OFF	OFF	OFF

NOTICE:

- SWITCH POSITIONS 1 AND 2 IN THE OFF POSITION TO SELECT ISOLATED HORN AND STROBE POWER INPUTS
- SWITCH POSITION 6 ON = HIGH DBA
- SWITCH POSITION 6 OFF = LOW DBA



Gentex Super-Slide® Mounting Bracket:

Allows the installer to pre-wire the system, test for system supervision, remove the signal head until occupancy, switch out Gentex signals without changing mounting brackets and has locking edge connector for snap-in-place installation.

Gentex Checkmate® Instant Voltage Verification:

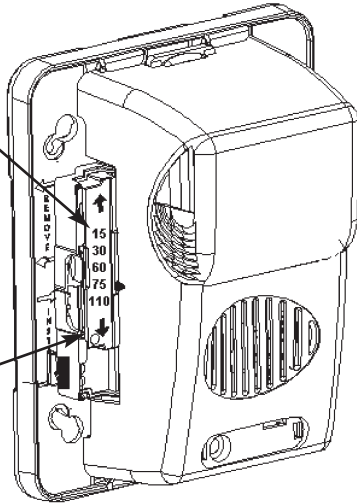
It is often necessary to confirm the voltage drop along a line of devices. The access holes are provided in the back of the terminal block to allow the voltage to be measured directly without removing the device. Typically this would be done at the end of the line to confirm design criteria. Most measurements will be taken using the S+ and S- locations although access is provided to other locations.

NOTICE: CARE SHOULD BE TAKEN TO NOT SHORT THE TEST PROBES.

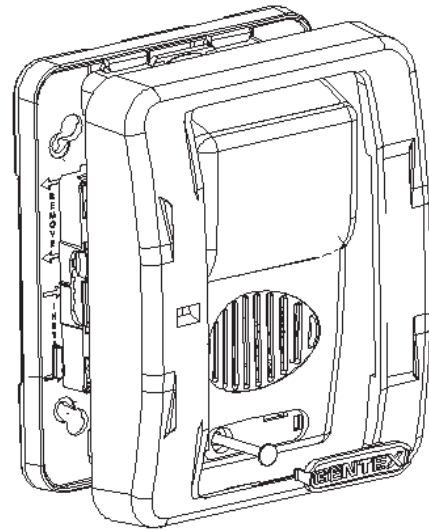
CAUTION: A jumper card is provided to test for correct wiring in the supervisory mode only. DO NOT pass alarm current through the jumper.

Candela selection slider switch. Depress center and slide switch to desired brightness level.

Break off pin and insert into hole at the bottom of the selector to lock candela setting. Signal must be removed from bracket and pin pushed forward from backside out of hole to change candela.



FOR MODELS: GEC3-24, GES3-24, GECA24, GESA24, GECB24, GESB24, GECG24, GESG24, GECR24, GESR24 ONLY



To remove bezel, grip both sides of bezel and pull in a downward and outward motion.

FOR MODELS: GEC24, GES24, GEH24, GEC3-24, GES3-24, GECA24, GESA24, GECB24, GESB24, GECG24, GESG24, GECR24, GESR24 ONLY

⚠ WARNING

THIS APPLIANCE WILL NOT OPERATE WITHOUT ELECTRICAL POWER. AS FIRES FREQUENTLY CAUSE POWER INTERRUPTIONS, GENTEX SUGGESTS YOU DISCUSS FURTHER SAFEGUARDS WITH YOUR LOCAL FIRE PROTECTION SPECIALIST.

V. CHECKOUT AND TROUBLESHOOTING

1. Supply power to the system control panel. The auxiliary signaling appliances in the system should not be activated.
2. If the signal is activated:
 - Check all smoke and fire detectors in the system to make sure they have not been activated.
 - Check all wiring connections to make sure the signal detection circuits are not reversed or shorted together. Check wire color codes and traces.
 - Verify that the jumpers and switches are properly set on both the control module and signal appliance. If the jumper on the AVSM is removed, the horns will not produce any sound unless there is an input to the H+ and H- terminals on the control module.
3. To test the signal appliances, trip the auxiliary panel or activate the alarm circuit at the main control panel or activate one of the fire detection units in the system. All auxiliary signals should be activated.
4. An operational test on this product should be conducted in accordance with National Standards or at a minimum annually and more often if dictated by local and state codes or authorities having jurisdiction.

NOTICE: THESE TESTING PROCEDURES AND TROUBLESHOOTING INSTRUCTIONS ARE GENERALIZED. PLEASE REFER TO THE SYSTEM CONTROL PANEL OPERATING INSTRUCTIONS FOR PROPER OPERATION OF THE PANEL AND FIRE DETECTION SYSTEM.

SIGNALING APPLIANCE LIMITATION:

Your horn and horn/strobe meet or exceed the current audibility requirements of ANSI/UL 464. However, if the appliance is located outside a bedroom it may not wake up a sound sleeper, especially if the room door is closed or only partially open.

VI. TO RETURN AN APPLIANCE

Should you experience problems with your appliance, proceed as follows:

1. Turn off electrical power to the auxiliary alarm circuit.
2. Remove the bezel, nameplate, then mounting screw and slide signal off from bracket
3. Replace unit that was removed to restore wiring supervision and to eliminate system trouble alert.
4. Carefully pack the defective unit (the manufacturer cannot be responsible for consequential damage due to shipping or mis-handling). Include a return address and complete details as to the nature of the difficulties being experienced and date of installation.
5. Return to: Gentex Corporation, 10985 Chicago Dr., Zeeland MI 49464. Prior to returning, call Gentex at 1-800-436-8391 or e-mail FP_RMA@gentex.com to obtain a RMA Number from our Customer Service Department.

ADDITIONAL INSTRUCTIONS FOR VISIBLE AND/OR AUDIBLE SIGNALING APPLIANCES: CAN/ULC

PRODUCT INFORMATION

This appliance is intended to provide a visible, audible or audible/visible, depending on the model, notification signal for the purpose of life safety and property protection. This appliance is ideal for any occupancy that requires notification appliances per the applicable building or fire code or wherever dependable alarms are required. This appliance is listed in compliance with CAN/ULC S525 and/or CAN/ULC S526. This appliance is intended for use in fire alarm systems and is to be installed in accordance with this manual, the National Building Code of Canada, CAN/ULC S524 and local codes that provide standards on notification appliances for protective signaling systems. Gentex recommends spacing notification appliances in compliance with CAN/ULC S524.

This unit is designed for mounting to most single gang boxes, 4" square outlet boxes, 2-gang masonry boxes or non-metallic 2-gang switch boxes. Conduit entrance to boxes should be selected to insure sufficient wiring clearance.

1. Wiring is to be in accordance with CSA C22.1 Canadian Electrical Code, Part 1, Safety Standard for Electrical Installations, Sec. 32
2. Run a minimum 18 gauge insulated 2 or more conductor cable.
3. Mount a box for each remote signaling appliance. Screw bracket onto box. Insert signal into bracket and slide to the right firmly into the terminal block receptacle. Place housing over mounted assembly and screw together with single screw at the bottom of the signal. Cover screw with plastic tab.

CAN/ULC HORN DECIBEL AND CURRENT RATINGS PRODUCT INFORMATION: HORN & HORN/STROBE

Horn Mode	Horn Current Ratings Over Input Voltage Range of 16-33V		24VDC Nominal Horn Current Ratings	
	Regulated 24VDC Max. Operating Current (mA) HIGH Setting	Regulated 24VFWR Max. Operating Current (mA) HIGH Setting	24VDC Operating Current (mA) HIGH Setting	24VFWR Operating Current (mA) HIGH Setting
Temp 3 2400Hz	28	48	10.7	26.8
Temp 3 Mechanical	25	44	9.7	24.5
Temp 3 Chime	15	30	8.6	20.6
Continuous 2400Hz	28	48	20.4	43.7
Continuous Mechanical	25	44	17.0	39.3
Continuous Chime	15	30	9.6	23.0
Whoop	56	62	45.4	60.2

Directional Sound Characteristic: Horn and Horn/Strobe	
	Horizontal Angle
-3 dBA	20
-6 dBA	❖
	Vertical Angle
-3 dBA	70
-6 dBA	❖

❖ = NO MEASURED LOSS

HORN DECIBEL RATINGS IN ULC ANECHOIC ROOM (dBA @ 3 meters) HORN & HORN/STROBE				
Horn Mode	Regulated 24 VDC Max. SPL Rating	Regulated 24 VFWR Max. SPL Rating	24 VDC Nominal SPL Rating	24 VFWR Nominal SPL Rating
Temp 3 2400Hz (HIGH)	89.9	91.6	92.3	94.5
Temp 3 2400Hz (LOW)	81.9	84.9	85.6	88.3
Temp 3 Mechanical (HIGH)	92.8	94.6	95.8	97.8
Temp 3 Mechanical (LOW)	86.0	88	89.2	91.4
Temp 3 Chime (HIGH)	84.0	84.7	85.2	86.3
Temp 3 Chime (LOW)	78.1	80.4	81.0	82.9
Continuous 2400Hz (HIGH)	89.9	91.8	92.7	94.5
Continuous 2400Hz (LOW)	82.4	84.8	85.7	88.4
Continuous Mechanical (HIGH)	92.7	94.9	96.0	97.7
Continuous Mechanical (LOW)	86.0	88.2	89.6	91.4
Continuous Chime (HIGH)	83.6	84.9	85.1	86.4
Continuous Chime (LOW)	78.1	80.4	80.9	82.9
Whoop (HIGH)	92.8	83.6	94.7	95.3
Whoop (LOW)	81.1	83.3	84.6	86.6

NOTICE:

- ◆ THE NATIONAL BUILDING CODE AND CAN/ULC S525 REQUIRES THAT ALL HORNS USED FOR BUILDING EVACUATION PRODUCE TEMPORAL CODED SIGNALS.
- ◆ THE SOUND OUTPUT FOR THE TEMPORAL 3 TONE IS RATED LOWER SINCE THE TIME THE HORN IS OFF IS AVERAGED INTO THE SOUND OUTPUT RATING. UNITS HAVE BEEN TESTED TO 0°C, 49°C AND 93% HUMIDITY.

CAN/ULC HORN DECIBEL AND CURRENT RATINGS PRODUCT INFORMATION: OUTDOOR HORN & HORN/STROBE

REFER TO CAN/ULC HORN CURRENT CHART ON PAGE 5 FOR CAN/ULC HORN CURRENT RATINGS FOR OUTDOOR HORN AND HORN/STROBE PRODUCTS

HORN DECIBEL RATINGS IN ULC ANECHOIC ROOM (dBA @ 3 meters) OUTDOOR HORN AND HORN/STROBE				
Horn Mode	Regulated 24 VDC Max. SPL Rating	Regulated 24 VFWR Max. SPL Rating	24 VDC Nominal SPL Rating	24 VFWR Nominal SPL Rating
Temp 3 2400Hz (HIGH)	89.1	91.8	92.9	94.8
Temp 3 2400Hz (LOW)	80.9	84.9	84.0	87.9
Temp 3 Mechanical (HIGH)	91.7	94.0	94.9	96.8
Temp 3 Mechanical (LOW)	83.3	85.8	87.0	89.3
Temp 3 Chime (HIGH)	82.8	83.8	84.5	85.2
Temp 3 Chime (LOW)	77.1	78.6	80.1	81.3
Continuous 2400Hz (HIGH)	89.3	91.9	92.7	94.6
Continuous 2400Hz (LOW)	80.7	84.3	84.5	87.7
Continuous Mechanical (HIGH)	92.3	94.0	95.4	97.1
Continuous Mechanical (LOW)	83.9	86.0	87.7	89.4
Continuous Chime (HIGH)	92.7	84.6	84.4	85.9
Continuous Chime (LOW)	75.4	78.7	77.9	81.4
Whoop (HIGH)	91.6	91.2	93	92.6
Whoop (LOW)	78.7	80.9	82.2	84.2

Directional Sound Characteristic: Outdoor Horn & Horn/Strobe	
	Horizontal Angle
-3 dBA	10
-6 dBA	5
	Vertical Angle
-3 dBA	70
-6 dBA	❖

❖ = NO MEASURED LOSS

NOTICE:

- ♦ THE NATIONAL BUILDING CODE AND CAN/ULC S525 REQUIRES THAT ALL HORNS USED FOR BUILDING EVACUATION PRODUCE TEMPORAL CODED SIGNALS.
- ♦ THE SOUND OUTPUT FOR THE TEMPORAL 3 TONE IS RATED LOWER SINCE THE TIME THE HORN IS OFF IS AVERAGED INTO THE SOUND OUTPUT RATING. UNITS HAVE BEEN TESTED TO 0°C, 49°C AND 93% HUMIDITY.

LIMITED WARRANTY

For a period of 36 months from the date of purchase or a maximum of 42 months from the date of manufacture (or as long as required by applicable law), Gentex warrants to you the original purchaser that your appliance will be free from defects in workmanship and materials under normal use and service.

This warranty does not apply and is void if damage or failure is caused by: accident, abuse, misuse, abnormal use, faulty installation, liquid contact, fire, earthquake or other external cause; operating the appliance outside Gentex's published guidelines; or service, alteration, maintenance or repairs performed by anyone other than Gentex. This warranty also does not apply to: consumable parts, such as batteries; cosmetic damage, including but not limited to scratches or dents; defects caused by normal wear and tear or otherwise due to the normal aging of the appliance, or if any serial number has been removed or defaced from the appliance.

TO THE EXTENT PERMITTED BY LAW, THIS WARRANTY AND THE REMEDIES SET FORTH HEREIN ARE EXCLUSIVE AND IN LIEU OF ALL OTHER WARRANTIES, REMEDIES AND CONDITIONS, WHETHER ORAL, WRITTEN, STATUTORY, EXPRESS OR IMPLIED. GENTEX DISCLAIMS ALL STATUTORY AND IMPLIED WARRANTIES, INCLUDING WITHOUT LIMITATION, WARRANTIES OF MERCHANTABILITY AND FITNESS FOR A PARTICULAR PURPOSE AND WARRANTIES AGAINST HIDDEN OR LATENT DEFECTS TO THE EXTENT PERMITTED BY LAW. TO THE EXTENT SUCH WARRANTIES CANNOT BE DISCLAIMED, SUCH IMPLIED WARRANTIES SHALL APPLY ONLY FOR THE WARRANTY PERIOD SPECIFIED ABOVE. PLEASE NOTE THAT SOME STATES (COUNTRIES AND PROVINCES) DO NOT ALLOW LIMITATION ON HOW LONG AN IMPLIED WARRANTY (OR CONDITION) LASTS. SO THE ABOVE LIMITATION MAY NOT APPLY TO YOU. EXCEPT AS PROVIDED IN THIS WARRANTY AND TO THE EXTENT PERMITTED BY LAW, GENTEX WILL NOT BE LIABLE FOR ANY DIRECT, SPECIAL, INCIDENTAL OR CONSEQUENTIAL DAMAGES RESULTING FROM ANY BREACH OF WARRANTY OR CONDITION, OR ARISING IN CONNECTION WITH THE SALE, USE OR REPAIR OF THE APPLIANCE, OR UNDER ANY OTHER LEGAL THEORY, INCLUDING BUT NOT LIMITED TO LOSS OF USE, LOSS OF REVENUE, LOSS OF ACTUAL OR ANTICIPATED PROFITS, LOSS OF THE USE OF MONEY, LOSS OF BUSINESS, LOSS OF OPPORTUNITY, LOSS OF GOODWILL, AND LOSS OF REPUTATION. THE MAXIMUM LIABILITY OF GENTEX SHALL NOT IN ANY CASE EXCEED THE PURCHASE PRICE PAID BY YOU FOR THE APPLIANCE. PLEASE NOTE THAT SOME STATES (COUNTRIES AND PROVINCES) DO NOT ALLOW THE EXCLUSION OR LIMITATION OF INCIDENTAL OR CONSEQUENTIAL DAMAGES, SO THE ABOVE LIMITATION OR EXCLUSION MAY NOT APPLY TO YOU.

If a defect in workmanship or materials causes your appliance to become inoperable within the warranty period, you must return the appliance to Gentex postage prepaid to: Gentex Corporation, 10985 Chicago Dr., Zeeland MI 49464. You must prove to the satisfaction of Gentex the date of purchase of your appliance. You must also enclose a return address. Warranty service may only be performed by Gentex personnel at Gentex's facilities in Zeeland, Michigan. You must also pack the appliance to minimize the risk of it being damaged in transit. If we receive an appliance in a damaged condition as the result of shipping, we will notify you and you must seek a claim with the shipper.

If you submit a valid claim to Gentex during the warranty period, Gentex will, at its option, repair your appliance or furnish you with a new or rebuilt appliance without charge to you except for postage required to return the appliance to us. Gentex will not reimburse you for repairs or replacement parts provided by other parties. Your repaired or replacement appliance will be returned to you free of charge and it will be covered under the warranty for the balance of the warranty period, if any. When a product or part is replaced, any replacement item becomes your property and the replaced item becomes property of Gentex. For additional warranty and product information go to www.gentex.com.

THIS WARRANTY GIVES YOU SPECIFIC LEGAL RIGHTS AND YOU MAY ALSO HAVE OTHER RIGHTS WHICH VARY FROM STATE TO STATE (OR BY COUNTRY OR PROVINCE). BY THIS WARRANTY, GENTEX DOES NOT LIMIT OR EXCLUDE YOUR RIGHTS EXCEPT AS ALLOWED BY LAW. TO FULLY UNDERSTAND YOUR RIGHTS, YOU SHOULD CONSULT THE LAWS OF YOUR COUNTRY, PROVINCE OR STATE.

Important Notice:

These materials have been prepared by Gentex Corporation ("Gentex") for informational purposes only, are necessarily summary, and are not purporting to serve as legal advice and should not be used as such. Gentex makes no representations and warranties, express or implied, that these materials are complete and accurate, up-to-date, or in compliance with all relevant local, state and federal laws, regulations and rules. The materials do not address all legal considerations as there is inevitable uncertainty regarding interpretation of laws, regulations and rules and the application of such laws, regulations and rules to particular fact patterns. Each person's activities can differently affect the obligations that exist under applicable laws, regulations or rules. Therefore, these materials should be used only for informational purposes and should not be used as a substitute for seeking professional legal advice. Gentex will not be responsible for any action or failure to act in reliance upon the information contained in this material.

GENTEX CORPORATION

A Smarter Vision®

APPAREILS DE SIGNALISATION VISUELLE OU SONORE

SÉRIES GEC24, GES24, GEH24 GEC3-24 ET GES3-24
CONFORME AUX NORMES ANSI/UL ET CAN/ULC

SÉRIES GECA24, GESA24, GECB24, GESB24,
GECG24, GESG24, GEGR24 & GESR24, WGEC24,
WGES24 WGECA24, WGESA24, WGEGB24, WGESB24,
WGEGB24, WGESG24, WGEGR24 et WGESR24
CONFORME À ANSI/UL ET À CAN/ULC



POUR DES RENSEIGNEMENTS SUPPLÉMENTAIRES SUR L'HOMOLOGATION CAN/ULC DU PRODUIT, VOIR LES PAGES 5 ET 6.

I. INTRODUCTION

Les modèles GEC24, GES24, GEH24, GEC3-24, GES3-24, WGEC24, WGES24, GECA24, GESA24, GECB24, GESB24, GECG24, GESG24, GEGR24, GESR24, WGECA24, WGESA24, WGEGB24, WGESB24, WGEGB24, WGESG24, WGEGR24 et WGESR24 de Gentex sont des appareils de signalisation sonore ou visuelle de grande qualité. Le stroboscope haute intensité fait appel à un tube à éclair au xénon qui émet un puissant flash à haute intensité visible, quel que soit l'angle. L'appareil est conçu pour émettre, selon le modèle, un signal d'avertissement visuel, sonore ou sonore et visuel pour assurer la sécurité des personnes et la protection matérielle. Les modèles GEC3-24, GES3-24, GECA24, GESA24, GECB24, GESB24, GECG24, GESG24, GEGR24 et GESR24 sont dotés d'un commutateur à glissière qui permet de sélectionner l'intensité lumineuse au moment de l'installation; voici les intensités pouvant être sélectionnées : 15 cd, 30 cd, 60 cd, 75 cd ou 110 cd (24 V c.c. seulement). Les modèles GEC24 et GES24 offrent une intensité lumineuse fixe qui peut être commandée, soit 177 cd et 15 ou 75 cd. Les modèles WGEC24, WGES24, WGECA24, WGESA24, WGEGB24, WGESB24, WGEGB24, WGESG24, WGEGR24 et WGESR24 offrent une intensité lumineuse fixe seulement, réglée à 75 cd. Cet appareil convient parfaitement à tout type d'occupation devant être doté d'un appareil de signalisation conformément au code du bâtiment ou de sécurité incendie ou à tout bâtiment exigeant un moyen d'alarme fiable.

Les stroboscopes GEC24, GES24, GEC3-24 et GES3-24 sont homologués conformément à la norme ANSI/UL 1971, Appareils de signalisation pour les personnes ayant une déficience auditive (les modèles GEC24 et GES24 de 15 ou 75 cd sont aussi homologués conformément à la norme ANSI/UL 1638). Les stroboscopes WGEC24, WGES24, GECA24, GESA24, GECB24, GESB24, GECG24, GESG24, GEGR24, GESR24, WGECA24, WGESA24, WGEGB24, WGESB24, WGEGB24, WGESG24, WGEGR24 et WGESR24 sont homologués conformément à la norme ANSI/UL 1638, Appareils de signalisation visuelle – Urgences privées et signalisation générale. De plus, les modèles à lentille de couleur GECA24, GESA24, GECB24, GESB24, GECG24, GESG24, GEGR24 et GESR24 sont conformes aux exigences de dispersion polaire de la norme ANSI/UL 1971.

II. EMLACEMENT

Cet appareil est destiné à l'intégration aux systèmes d'alarme incendie et doit être installé conformément au présent manuel, aux recommandations des autorités compétentes locales et aux normes NFPA établissant les normes pour les appareils de signalisation des systèmes de signaux de protection. Les modèles GEC24, GES24, GEH24, GEC3-24, GES3-24, GECA24, GESA24, GECB24, GESB24, GECG24, GESG24, GEGR24 et GESR24 doivent uniquement être installés à l'intérieur. Ces appareils ne sont pas homologués pour les applications extérieures ni pour les endroits exposés. Les modèles WGEC24, WGES24, WGECA24, WGESA24, WGEGB24, WGESB24, WGEGB24, WGESG24, WGEGR24 et WGESR24 peuvent être installés à l'intérieur comme à l'extérieur; ces appareils sont homologués pour les applications extérieures et pour les endroits exposés lorsqu'ils sont utilisés avec les boîtiers GOE ou GOELP.

La lentille au complet des stroboscopes et des avertisseurs ou stroboscopes muraux doit être placée au-dessus du plancher fini, à une hauteur située entre 80 po (2 m) et 96 po (2,4 m)**. L'espacement doit être conforme à ce qui est indiqué au Tableau A. Lorsque la pièce n'est pas carrée, il faut tenir compte d'une taille correspondant au volume total de la pièce ou subdiviser la pièce en de multiples carrés. La partie supérieure des avertisseurs muraux doit être placée au-dessus du plancher fini, à une hauteur d'au moins 90 po (2,30 m), tout en étant éloignée d'au moins 6 po (152 mm) du plafond. Les autorités compétentes peuvent permettre différentes hauteurs d'installation à la condition que les exigences de pression acoustique de la norme NFPA 72 soient respectées.

III. INSTALLATION ET POSE DE LA BOÎTE ET DES FILS

Cet appareil est conçu pour être installé sur la majorité des boîtes simples, des boîtes carrées de 4 po pour prise, des boîtes doubles pour maçonnerie ou des boîtes doubles non métalliques pour interrupteur. L'entrée du conduit sélectionnée sur la boîte doit assurer un dégagement approprié des fils.

1. Poser un câble de calibre minimum de 18 comportant au moins 2 conducteurs.
2. Poser une boîte pour chaque appareil de signalisation. Visser le support sur la boîte. Insérer l'appareil sur le support et le faire glisser fermement vers la droite pour le brancher dans la prise du réceptacle. Placer le boîtier sur l'appareil, puis visser les deux ensemble au moyen de la vis unique au bas de l'appareil. Recouvrir la vis de la languette de plastique.

AVIS : LES FILS DOIVENT ÊTRE BRANCHÉS AU SUPPORT AVANT D'Y POSER L'APPAREIL DE SIGNALISATION. LE FIL D'ALIMENTATION POSITIF DOIT ÊTRE SCINDÉ EN DEUX, CHAQUE PARTIE ÉTANT INSÉRÉE DANS LES DEUX BORNES SUPÉRIEURES. SI DEUX FILS D'ALIMENTATION SONT ACHÉMINÉS À L'APPAREIL, UN POUR LE STROBOSCOPE ET L'AUTRE POUR L'AVERTISSEUR, UN SEUL DES FILS DOIT ÊTRE SCINDÉ EN DEUX ET INSÉRÉ DANS LES DEUX BORNES SUPÉRIEURES DISTINCTES. UN SÉPARATEUR EST EN PLACE POUR ÉVITER QUE LES DEUX FILS SOIENT BRANCHÉS À LA MÊME BORNE.

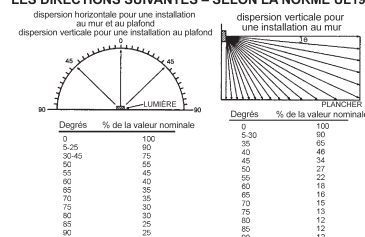
RENSEIGNEMENTS SUR LE PRODUIT – GEC24, GES24, GEC3-24 et GES3-24

Tableau A

Espacement dans la pièce pour des appareils de signalisation visuelle installés au mur, selon la norme NFPA 72, Édition 2013.			
Taille maximum de la pièce		Puissance lumineuse minimum exigée (intensité efficace, cd)	
Mètres	Pieds	Un tube par pièce	Quatre tubes par pièce (un par mur)
6,10 x 6,10	20 x 20	15	N.A.
8,53 x 8,53	28 x 28	30	N.A.
9,14 x 9,14	30 x 30	34	N.A.
12,2 x 12,2	40 x 40	60	15
13,7 x 13,7	45 x 45	75	19
15,2 x 15,2	50 x 50	94	30
16,5 x 16,5	54 x 54	110	30
16,8 x 16,8	55 x 55	115	30
18,3 x 18,3	60 x 60	135	30
19,2 x 19,2	63 x 63	150	37
20,7 x 20,7	68 x 68	177	43
21,3 x 21,3	70 x 70	184	60
24,4 x 24,4	80 x 80	240	60
27,4 x 27,4	90 x 90	304	95
30,5 x 30,5	100 x 100	375	95
33,5 x 33,5	110 x 110	455	135
36,6 x 36,6	120 x 120	540	135
39,6 x 39,6	130 x 130	635	185

N.A. = Non autorisé

POURCENTAGE DE L'INTENSITÉ LUMINEUSE MESURÉE DANS LES DIRECTIONS SUIVANTES – SELON LA NORME UL1971

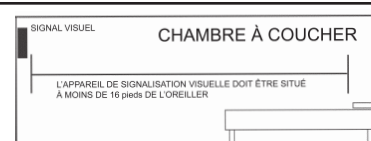


**Exigences d'intensité efficace pour les chambres à coucher

Appareil de signalisation visuelle	
Distance entre le plafond et le dessus de la lentille	Intensité
supérieure ou égale à 24 po	110 cd
et inférieure à 24 po	177 cd

AVERTISSEMENT :

Le stroboscope doit être installé à moins de 16 pieds de tout oreiller lorsqu'il est placé dans une chambre à coucher.



AVERTISSEMENT Il n'est pas possible de voir le stroboscope lorsqu'il est masqué par un objet, notamment une porte, un meuble ou un mur.

AVIS :

- ♦ POUR ÊTRE APERÇU, L'APPAREIL DE SIGNALISATION VISUELLE DOIT ÊTRE DANS LA ZONE DIRECTE DE VISUALISATION DE L'OCCUPANT.
- ♦ AVIS : LES APPAREILS DE SIGNALISATION VISUELLE NE SONT QU'UNE DES MÉTHODES POUR ALERTE LES PERSONNES AYANT UNE DÉFICIENCE AUDITIVE. CES APPAREILS NE CONSTITUENT PEUT-ÊTRE PAS LA MEILLEURE MÉTHODE POUR AVISER TOUTES LES PERSONNES AYANT UNE DÉFICIENCE AUDITIVE.
- ♦ LE STROBOSCOPE DOIT ÊTRE VU PAR UNE PERSONNE QUI DORT. SI LA PERSONNE SE TOURNE LA TÊTE OU SI ELLE NE PEUT ÊTRE ALERTÉE PAR LE SIGNAL VISUEL, LE STROBOSCOPE NE SERA PAS EFFICACE.

Caractéristiques nominales de courant du stroboscope intérieur à lentille TRANSPARENTE de 24 V c.c.

Séries GEC24 et GES24 Intensité lumineuse disponible	Séries GEC3-24 et GES3-24 Intensité lumineuse disponible	Intensité lumineuse du stroboscope	Tension stabilisée maximum de 24 V RDA Courant de fonctionnement (mA)	Tension stabilisée maximum de 24 V RDA Courant de fonctionnement (mA) ¹	24 V c.c. Courant de fonctionnement nominal (mA)
	♦	15	42	77	30
♦		15/75	67	113	S.O.
	♦	30	58	102	42
	♦	60	97	161	66
	♦	75	116	225	80
	♦	110	161	256	103
♦		177	213	341	S.O.

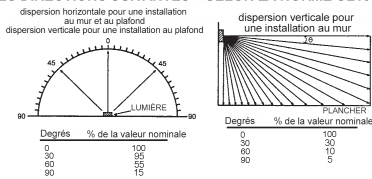
AVIS : LIMITES DE LA PLAGE DE TENSIONS C.C. : 16 À 33 V. LIMITES DE LA PLAGE DE TENSIONS RDA : 16 À 33 V. CE PRODUIT A UNIQUEMENT FAIT L'OBJET D'ESSAI POUR LES PLAGES DE TENSIONS INDIQUÉES; IL NE FAUT PAS FAIRE FONCTIONNER LE PRODUIT AVEC DES VALEURS CORRESPONDANT À 80 % ET 110 % DE CES PLAGES.

¹ Lors de l'utilisation de produits fabriqués après le 1er juillet 2010, ces valeurs doivent servir au calcul de l'appel de courant.

S.O. : Les données relatives au courant de fonctionnement 24 V c.c. ne sont pas disponibles.

RENSEIGNEMENTS SUR LE PRODUIT – WGEC24, WGES24, WGECA24, WGESA24, WGECB24, WGESB24, WGEGB24, WGESG24, WGEGR24 et WGESR24

POURCENTAGE DE L'INTENSITÉ LUMINEUSE MESURÉE DANS LES DIRECTIONS SUIVANTES – SELON LA NORME UL1638



Modèles	Lentille colorée
WGECA24, WGESA24	Ambre
WGECB24, WGESB24	Bleu
WGEGB24, WGESG24	Vert
WGEGR24, WGESR24	Rouge

Caractéristiques nominales de courant pour stroboscope extérieur à lentille BLEUE, VERTE et ROUGE de 24 V c.c.

Utiliser avec les modèles WGECB24, WGESB24, WGEGB24, WGESG24, WGEGR24 et WGESR24

Candela	Tension stabilisée maximum de 24 V RDA Courant de fonctionnement (mA)	Tension stabilisée maximum de 24 V RDA Courant de fonctionnement (mA) ¹
75	164	278

Caractéristiques nominales de courant pour stroboscope extérieur à lentille TRANSPARENTE et AMBRE de 24 V c.c.

Utiliser avec les modèles WGECA24, WGESA24, WGECA24 et WGESA24

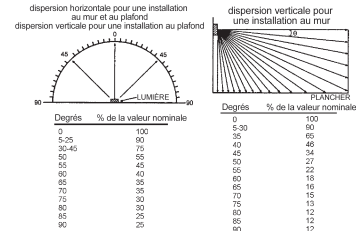
Candela	Tension stabilisée maximum de 24 V RDA Courant de fonctionnement (mA)	Tension stabilisée maximum de 24 V RDA Courant de fonctionnement (mA) ¹
75	170	263

AVIS : LIMITES DE LA PLAGE DE TENSIONS C.C. : 16 À 33 V. LIMITES DE LA PLAGE DE TENSIONS RDA : 16 À 33 V. CE PRODUIT A UNIQUEMENT FAIT L'OBJET D'ESSAI POUR LES PLAGES DE TENSIONS INDIQUÉES; IL NE FAUT PAS FAIRE FONCTIONNER LE PRODUIT AVEC DES VALEURS CORRESPONDANT À 80 % ET 110 % DE CES PLAGES.

¹ Lors de l'utilisation de produits fabriqués après le 1er juillet 2010, ces valeurs doivent servir au calcul de l'appel de courant.

RENSEIGNEMENTS SUR LE PRODUIT – GECA24, GESA24, GECB24, GESB24, GECG24, GESG24, GEGR24 et GESR24

POURCENTAGE DE L'INTENSITÉ LUMINEUSE MESURÉE DANS LES DIRECTIONS SUIVANTES – SELON LA NORME UL1638



Modèles	Lentille colorée
GECA24, GESA24	Ambre
GECB24, GESB24	Bleu
GECG24, GESG24	Vert
GEGR24, GESR24	Rouge

Caractéristiques nominales de courant des stroboscopes intérieurs à lentille AMBRE

Utiliser avec les modèles GECA24 et GESA24

Candela	Tension stabilisée maximum de 24 V RDA Courant de fonctionnement (mA)	Tension stabilisée maximum de 24 V RDA Courant de fonctionnement (mA) ¹
15	47	82
30	64	112
60	113	178
75	145	213
110	178	259

Caractéristiques nominales de courant des stroboscopes intérieurs à lentille BLEUE, VERTE et ROUGE de 24 V c.c.

Utiliser avec les modèles GECB24, GESB24, GECG24, GESG24, GEGR24 et GESR24

Candela	Tension stabilisée maximum de 24 V RDA Courant de fonctionnement (mA)	Tension stabilisée maximum de 24 V RDA Courant de fonctionnement (mA) ¹
15	105	164
30	130	196
60	203	325
75	243	355
110	310	491

AVIS : LIMITES DE LA PLAGE DE TENSIONS C.C. : 16 À 33 V. LIMITES DE LA PLAGE DE TENSIONS RDA : 16 À 33 V. CE PRODUIT A UNIQUEMENT FAIT L'OBJET D'ESSAI POUR LES PLAGES DE TENSIONS INDIQUÉES; IL NE FAUT PAS FAIRE FONCTIONNER LE PRODUIT AVEC DES VALEURS CORRESPONDANT À 80 % ET 110 % DE CES PLAGES.

¹ Lors de l'utilisation de produits fabriqués après le 1er juillet 2010, ces valeurs doivent servir au calcul de l'appel de courant.

RENSEIGNEMENTS SUR LE PRODUIT – NIVEAUX SONORES (dB) DE L'AVERTISSEUR ET CARACTÉRISTIQUES NOMINALES DE COURANT

Mode de l'avertisseur	Niveaux sonores (dB) de l'avertisseur : Pièce réverbérante		Caractéristiques nominales de courant de l'avertisseur pour une plage de tensions d'entrée de 16 à 33 V		Caractéristiques nominales de courant pour un avertisseur de 24 V c.c.	
	dBnps minimum à 10 pi selon la norme ANSI/UL 464 (ÉLEVÉ)	dBnps minimum à 10 pi selon la norme ANSI/UL 464 (BAS)	Tension stabilisée maximum de 24 V c.c. Courant de fonctionnement (mA) Réglage supérieur	Tension stabilisée maximum de 24 V RDA Courant de fonctionnement (mA) Réglage SUPÉRIEUR	24 V c.c. Courant de fonctionnement (mA) Réglage SUPÉRIEUR	24 V RDA Courant de fonctionnement (mA) Réglage SUPÉRIEUR
Temp 3 2400Hz	78 dBA	71* dBA	28	48	10,7	26,8
Temp 3 Mechanical	76 dBA	70* dBA	25	44	9,7	24,5
Temp 3 Chime	70* dBA	66* dBA	15	30	8,6	20,6
Continuous 2400Hz	81 dBA	74* dBA	28	48	20,4	43,7
Continu mécanique	80 dBA	72* dBA	25	44	17,0	39,3
Carillon continu	70* dBA	66* dBA	15	30	9,6	23,0
Son « whoop-whoop »	82 dBA	69* dBA	56	62	45,4	60,2

AVIS :

- ♦ LE MODE TEMPOREL À TROIS TONALITÉS DOIT ÊTRE UTILISÉ UNIQUEMENT POUR L'ÉVACUATION.
- ♦ LA PUISSANCE SONORE NOMINALE DU MODE TEMPOREL À 3 TONALITÉS EST INFÉRIEURE PARCE QUE LE TEMPS QUE L'AVERTISSEUR EST MUET EST AJOUTÉ À LA MOYENNE DE LA PUISSANCE SONORE. LORSQUE L'AVERTISSEUR ÉMET UNE TONALITÉ EN MODE TEMPOREL À 3 TONALITÉS, LA PRESSION ACOUSTIQUE EST IDENTIQUE À CELLE DU MODE CONTINU. LES APPAREILS ONT FAIT L'OBJET D'ESSAIS À 0 °C ET À 49 °C, À UNE HUMIDITÉ DE 93 %.

* L'utilisation de l'avertisseur dans ce mode et à cette tension n'atteint pas le niveau sonore minimum de la norme ANSI/UL 464 exigé pour la sécurité incendie publique.

Ces paramètres conviennent uniquement à une utilisation de l'appareil de signalisation pour la sécurité incendie privée. Pour les applications publiques, utiliser les paramètres dBA les plus élevés (le carillon est toujours en mode privé).

IV. CÂBLAGE

Câblage pour la synchronisation du stroboscope et de l'avertisseur.

Avec cette méthode, vous pouvez :

- Utiliser seulement deux fils pour synchroniser l'avertisseur temporel et le stroboscope, tout en ayant la possibilité de couper l'avertisseur (placer les commutateurs 1 et 2 en position « ON » sur les modèles GEC24, GEC3-24, WGEC24, GECA24, GECB24, GECG24, GECR24, WGECA24, WGEGB24, WGEGB24 et WGEGB24).
- Couper l'avertisseur **uniquement** lorsque le mode temporel a été sélectionné.
- Utiliser le protocole de synchronisation Gentex, s'il est disponible, pour assurer la synchronisation et couper l'avertisseur.

Câblage pour la synchronisation parallèle (mode unisson) du stroboscope et de l'avertisseur.

Avec cette méthode, vous pouvez :

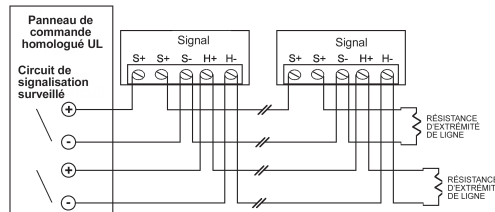
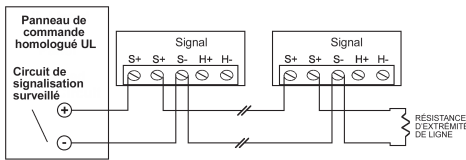
- Utiliser quatre fils, deux d'entre eux servant à alimenter et à synchroniser le stroboscope et les deux autres, à alimenter et à synchroniser l'avertisseur (placer les commutateurs 1 et 2 en position « OFF » sur les modèles GEC24, GEC3-24, WGEC24, GECA24, GECB24, GECG24, GECR24, WGECA24, WGEGB24, WGEGB24 et WGEGB24).
- Sélectionner le mode continu et laisser le FACP commander l'avertisseur ou choisir le mode temporel et synchroniser les avertisseurs au moyen du protocole de synchronisation Gentex.
- Utiliser le protocole de synchronisation Gentex, s'il est disponible, pour assurer la synchronisation et couper l'avertisseur.

AVIS :

- POUR CETTE OPTION, LES COMMUTATEURS 1 ET 2 DES MODÈLES GEC24, GEC3-24, WGEC24, GECA24, GECB24, GECG24, GECR24, WGECA24, WGEGB24, WGEGB24 ET WGEGB24 DOIVENT ÊTRE EN POSITION « OFF » POUR ISOLER L'ALIMENTATION DES PARTIES « SONORES » ET « VISUELLES » DU CIRCUIT.
- TOUS LES STROBOSCOPES SONT CONÇUS POUR CLIGNOTER COMME INDICÉ EN FONCTION DE LA TENSION CONTINUE QUI LEUR EST FOURNIE. CET APPAREIL N'EST PAS RECOMMANDÉ POUR LES CIRCUITS DE SIGNALISATION CODIFIÉS OU À IMPULSIONS. IL EST TOUTEFOIS PERMIS D'UTILISER LE MODULE DE COMMANDE AVSM POUR SYNCHRONISER LE STROBOSCOPE OU COUPER L'AVERTISSEUR.
- SE REPORTER AU MANUEL DU MODULE DE COMMANDE (550-0284, DATE DE PUBLICATION 1^{ER} FÉVRIER 2003) POUR LES SCHÉMAS DE CÂBLAGE DU MODULE DE SYNCHRONISATION. VOUS POUVEZ VOUS PROCURER LE MANUEL DU MODULE AVSM À L'ADRESSE [HTTP://WWW.GENTEX.COM/FIRE/PRODUCTS](http://www.gentex.com/fire/products) OU EN APPELANT GENTEX CORPORATION AU 1 800 436-8391.

Méthode conventionnelle :

Vous pouvez brancher directement le stroboscope et l'avertisseur à une source d'alimentation nominale sans passer par un module de commande. Toutefois, les avertisseurs et les stroboscopes ne seront PAS synchronisés. Sur les modules GEC24, GEC3-24, WGEC24, GECA24, GECB24, GECG24, GECR24, WGECA24, WGEGB24, WGEGB24 et WGEGB24, placer les commutateurs 1 et 2 en position « ON » pour alimenter les signaux sonores et visuels à partir d'une seule paire de fils d'alimentation. Pour alimenter l'avertisseur et le stroboscope au moyen de sources d'alimentation indépendantes, sur les modèles GEC24, GEC3-24, WGEC24, GECA24, GECB24, GECG24, GECR24, WGECA24, WGEGB24, WGEGB24 et WGEGB24 placer les commutateurs 1 et 2 en position « OFF », puis brancher l'alimentation aux bornes appropriées.

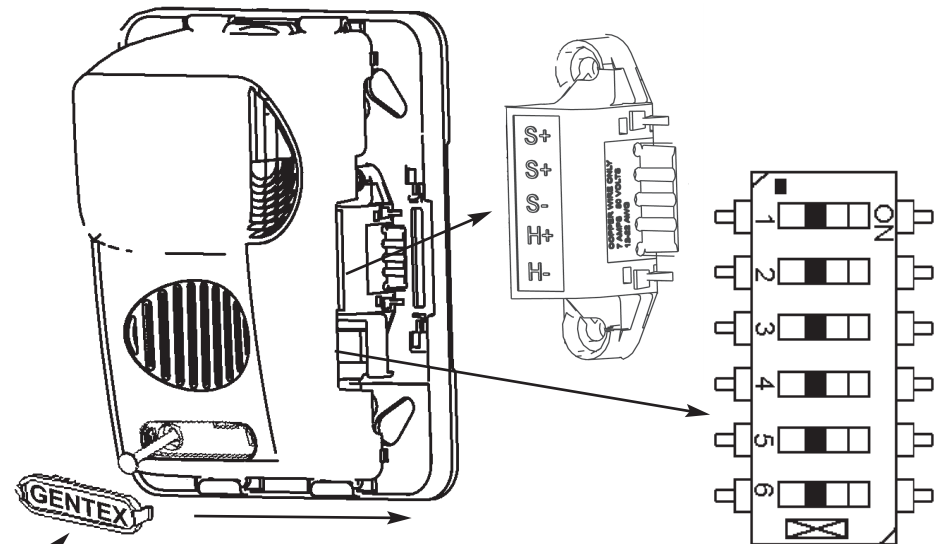
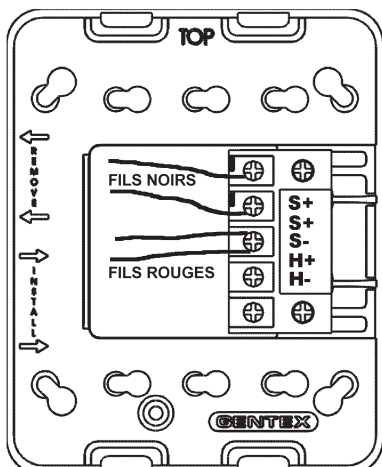


AVERTISSEMENT : Lorsque vous utilisez une seule source pour alimenter le stroboscope et l'avertisseur (commutateurs 1 et 2 en position « ON »), les fils entrant/sortant doivent uniquement être branchés aux bornes S+ et S-. Ne pas faire ce branchement endommagera l'appareil. Pour alimenter uniquement l'avertisseur (modèle GEH24) et uniquement le stroboscope (modèles GES24, GES3-24, WGES24, GESA24, GESB24, GESG24, GESR24, WGESA24, WGESB24, WGESG24 et WGESR24), seules les trois bornes supérieures doivent être utilisées.

TONALITE	POSITION DES COMMUTATEURS		
	3	4	5
Temp. 3 mécanique	« ON »	« ON »	« ON »
Mécanique – Continu	« OFF »	« ON »	« ON »
2400Hz - Temporal 3	« ON »	« OFF »	« ON »
2400Hz - Continuous	« OFF »	« OFF »	« ON »
Chime - Temporal 3	« ON »	« ON »	« OFF »
Carillon – Continu	« OFF »	« ON »	« OFF »
Son « whoop-whoop »	« ON »	« OFF »	« OFF »
Son « whoop-whoop »	« OFF »	« OFF »	« OFF »

AVIS :

- PLACER LES COMMUTATEURS 1 ET 2 EN POSITION « OFF » POUR SÉLECTIONNER LES ENTRÉES D'ALIMENTATION PERMETTANT D'ISOLER L'AVERTISSEUR ET LE STROBOSCOPE.
- PLACER LE COMMUTATEUR 6 EN POSITION « ON » = DBA ÉLEVÉ
- PLACER LE COMMUTATEUR 6 EN POSITION « OFF » = DBA BAS



Supporte de montage Super-Slide^{MD} de Gentex :
Grâce au support de montage, l'installateur peut précâbler le système, faire l'essai du mode Supervision, retirer l'unité lumineuse jusqu'à ce que la pièce soit occupée, désactiver la signalisation Gentex sans modifier le support en plus d'avoir accès à des connecteurs verrouillables pour une installation par enclenchement.

Fonction Checkmate^{MD} de Gentex pour la vérification instantanée de la tension

Il est parfois nécessaire de confirmer la chute de tension dans un groupe de dispositifs branchés en série. Des trous d'accès se trouvent à l'arrière du réceptacle pour mesurer directement la tension sans avoir à déposer l'appareil. Habituellement, cette vérification est effectuée en fin de série pour confirmer les critères de conception. La majorité des mesures sont effectuées aux bornes S+ et S-, même s'il est possible d'accéder à d'autres emplacements.

AVIS : IL FAUT PRENDRE SOIN DE NE PAS COURT-CIRCUITER LES SONDAS D'ESSAI.

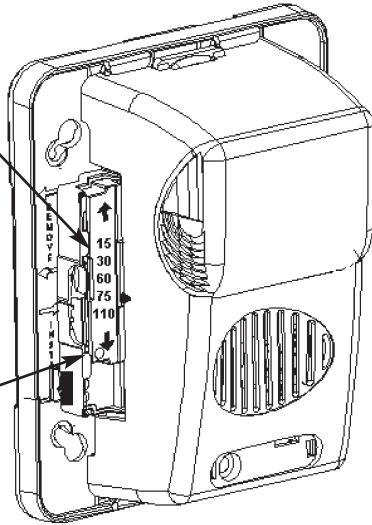
AVERTISSEMENT : Une fiche de référence des commutateurs est fournie pour faire l'essai des branchements en mode Supervision seulement. NE PAS faire passer le courant d'alarme par le commutateur.

DISTANCE MAX. DE FIL = (EN PIEDS)	(TENSION AU PANNEAU/TENSION MIN. DE L'APPAREIL) X CONDUCTIVITÉ DES FILS	
	APPEL DE COURANT TOTAL	
FIL	CONDUCTIVITÉ	
18 AWG	60	
16 AWG	95	
14 AWG	153	
12 AWG	244	

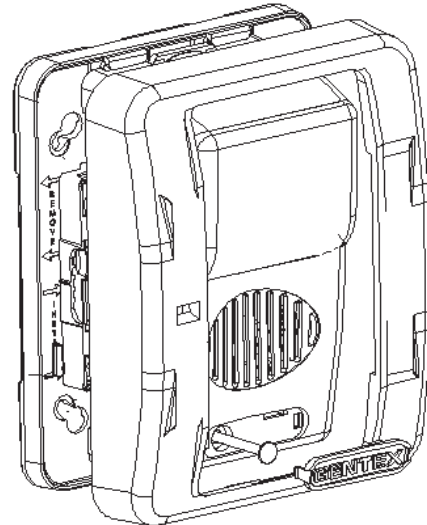
Comprend le fil à destination et au retour de l'appareil. **AVERTISSEMENT:** S'applique uniquement aux installations réglementées. On suppose que tous les appareils sont situés à l'extrémité du segment de fil (pire des situations).

Commutateur à glissière de sélection de l'intensité lumineuse. Appuyer au centre du commutateur et le faire glisser pour obtenir l'intensité souhaitée.

Briser la tige et l'insérer dans le trou au bas du sélecteur pour sélectionner l'intensité lumineuse. Pour modifier l'intensité lumineuse, l'appareil doit être retiré du support et la tige repoussée hors du trou par l'arrière de l'appareil.



POUR LES MODÈLES : GEC3-24, GES3-24, GECA24, GESA24, GECB24, GESB24, GECG24, GESG24, GECR24 et GESR24 SEULEMENT



Pour retirer le cadre, agripper les deux côtés et tirer vers le bas et l'extérieur.

POUR LES MODÈLES : GEC24, GES24, GEH24, GEC3-24, GES3-24, GECA24, GESA24, GECB24, GESB24, GECG24, GESG24, GECR24 et GESR24 SEULEMENT



AVERTISSEMENT
CET APPAREIL NE FONCTIONNE PAS SANS ALIMENTATION ÉLECTRIQUE. COMME LES INCENDIES ENTRAÎNENT SOUVENT DES PANNES DE COURANT, GENTEX RECOMMANDE DE DISCUTER DE MESURES DE PROTECTION SUPPLÉMENTAIRES AVEC LE SPÉCIALISTE LOCAL EN PROTECTION INCENDIE.

V. VÉRIFICATION ET DÉPANNAGE

1. Alimenter le panneau de commande du système. Les appareils de signalisation auxiliaires du système ne devraient pas être activés.
2. Cependant, s'ils le sont :
 - Vérifier tous les détecteurs de fumée et d'incendie du système pour s'assurer qu'ils n'ont pas été activés.
 - Vérifier tous les branchements pour s'assurer que les circuits de détection ne sont pas inversés ou court-circuités. Vérifier les codes de couleur des fils et en faire le suivi.
 - S'assurer que les cavaliers et les commutateurs sont correctement configurés dans le module de commande et dans les appareils de signalisation. Si le cavalier du module AVSM est débranché, les avertisseurs ne produiront aucun son, à moins qu'une entrée soit fournie aux bornes H+ et H- du module de commande.
3. Pour vérifier les appareils de signalisation, déclencher le panneau auxiliaire ou activer le circuit d'alarme du panneau de commande principal; vous pouvez aussi déclencher l'un des appareils de détection d'incendie du système. Tous les appareils de signalisation auxiliaires devraient être activés.
4. Un essai opérationnel de ce produit doit être effectué conformément aux exigences des normes nationales ou à tout le moins une fois par année ou selon une fréquence supérieure en fonction des exigences des autorités compétentes ou des codes provinciaux ou locaux.

AVIS : CES PROCÉDURES D'ESSAI ET DIRECTIVES DE DÉPANNAGE SONT DE NATURE GÉNÉRALE. SE REPORTER AUX INSTRUCTIONS D'UTILISATION DU PANNEAU DE COMMANDE DU SYSTÈME POUR CONNAÎTRE LE FONCTIONNEMENT APPROPRIÉ DU PANNEAU ET DU SYSTÈME DE DÉTECTION D'INCENDIE.

LIMITES DE L'APPAREIL DE SIGNALISATION :

L'avertisseur et l'avertisseur ou stroboscope sont conformes ou surpassent les exigences d'audibilité actuelles de la norme ANSI/UL 464. Quoi qu'il en soit, si l'appareil est situé en dehors de la chambre à coucher, il se pourrait qu'il ne réveille pas une personne endormie, particulièrement si la porte de la chambre est fermée ou partiellement ouverte.

VI. POUR RETOURNER UN APPAREIL

En cas de problème avec votre appareil, procéder comme suit :

1. Couper l'alimentation électrique du circuit d'alarme auxiliaire.
2. Retirer le cadre et la plaque signalétique, enlever la vis de montage, puis faire glisser l'appareil de signalisation pour le retirer du support.
3. Remplacer l'appareil enlevé pour rétablir la fonction de supervision du câblage et supprimer le signal de dérangement.
4. Emballer avec soin l'appareil défectueux (le fabricant n'est pas tenu responsable des dommages indirects attribuables à l'expédition ou aux erreurs de manutention. Indiquer votre adresse et décrire en détail la nature du problème et la date d'installation.
5. Retourner à : Gentex Corporation, 10985 Chicago Dr., Zeeland MI 49464. Avant de retourner l'appareil, appeler Gentex au 1 800 436-8391 ou envoyer un courriel à l'adresse FP_RMA@gentex.com pour obtenir un numéro d'autorisation de retour (RMA) du Service à la clientèle.

DIRECTIVES SUPPLÉMENTAIRES POUR LES APPAREILS DE SIGNALISATION

APPAREILS DE SIGNALISATION : CAN/ULC

RENSEIGNEMENTS SUR LE PRODUIT

L'appareil est conçu pour émettre, selon le modèle, un signal d'avertissement visuel, sonore ou sonore et visuel pour assurer la sécurité des personnes et la protection matérielle. Cet appareil convient parfaitement à tout type d'occupation devant être doté d'un appareil de signalisation conformément au code du bâtiment ou de sécurité incendie ou à tout bâtiment exigeant un moyen d'alarme fiable. Cet appareil est homologué conformément aux normes CAN/ULC S525 ou CAN/ULC S526. Il est destiné à l'utilisation dans des systèmes d'alarme incendie et doit être installé conformément aux directives du présent manuel, du Code du bâtiment canadien, de la norme CAN/ULC S524 et des codes locaux établissant les normes pour les appareils de signalisation des systèmes de signaux de protection. Gentex recommande de disposer les appareils de signalisation conformément aux exigences d'espacement de la norme CAN/ULC S524.

Cet appareil est conçu pour être installé sur la majorité des boîtes simples, des boîtes carrées de 4 po pour prise, des boîtes doubles pour maçonnerie ou des boîtes doubles non métalliques pour interrupteur. L'entrée du conduit sélectionnée sur la boîte doit assurer un dégagement approprié des fils.

1. Le câblage doit être conforme au Code canadien de l'électricité C22.1, Partie 1, Safety Standard for Electrical Installations, Sec. 32.

2. Poser un câble de calibre minimum de 18 comportant au moins 2 conducteurs.

3. Poser une boîte pour chaque appareil de signalisation. Visser le support sur la boîte. Insérer l'appareil sur le support et le faire glisser fermement vers la droite pour le brancher dans la prise du réceptacle. Placer le boîtier sur l'appareil, puis visser les deux ensemble au moyen de la vis unique au bas de l'appareil. Recouvrir la vis de la languette de plastique.

RENSEIGNEMENTS CAN/ULC SUR LE PRODUIT – CARACTÉRISTIQUES NOMINALES D'INTENSITÉ ACOUSTIQUE ET DE COURANT AVERTISSEUR ET AVERTISSEUR /STROBOSCOPE

Mode de l'avertisseur	Caractéristiques nominales de courant de l'avertisseur pour une plage de tensions d'entrée de 16 à 33 V		Caractéristiques nominales de courant pour un avertisseur de 24 V c.c.	
	Tension stabilisée maximum de 24 V c.c. Courant de fonctionnement (mA) Réglage supérieur	Tension stabilisée maximum de 24 V RDA Courant de fonctionnement (mA) Réglage SUPÉRIEUR	24 V c.c. Courant de fonctionnement (mA) Réglage SUPÉRIEUR	24 V RDA Courant de fonctionnement (mA) Réglage SUPERIEUR
Temp 3 2400Hz	28	48	10,7	26,8
Temp 3 Mechanical	25	44	9,7	24,5
Temp 3 Chime	15	30	8,6	20,6
Continuous 2400Hz	28	48	20,4	43,7
Continu mécanique	25	44	17,0	39,3
Carillon continu	15	30	9,6	23,0
Son « whoop-whoop »	56	62	45,4	60,2

Caractéristiques sonores directionnelles : pour un avertisseur et un avertisseur/stroboscope	
	Angle horizontal
-3 dBA	20
-6 dBA	❖
	Angle vertical
-3 dBA	70
-6 dBA	❖

❖ = AUCUNE PERTE MESURÉE

CARACTÉRISTIQUES SONORES NOMINALES EN DÉCIBELS DANS UNE CHAMBRE ANÉCHOÏQUE ULC (dBA à 3 mètres) POUR UN AVERTISSEUR ET UN AVERTISSEUR STROBOSCOPE

Mode de l'avertisseur	Tension stabilisée maximum de 24 V RDA Caractéristiques nominales dBnps	Tension stabilisée maximum de 24 V RDA Caractéristiques nominales dBnps	24 V c.c. Caractéristiques nominales dBnps	24 V RDA Caractéristiques nominales dBnps
Temp. 3 2400 Hz (ÉLEVÉ)	89,9	91,6	92,3	94,5
Temp 3 2400Hz (BAS)	81,9	84,9	85,6	88,3
Temp. 3 mécanique (ÉLEVÉ)	92,8	94,6	95,8	97,8
Temp. 3 mécanique (BAS)	86,0	88	89,2	91,4
Temp 3 Chime (ÉLEVÉ)	84,0	84,7	85,2	86,3
Temp 3 Chime (BAS)	78,1	80,4	81,0	82,9
Continu 2400 Hz (ÉLEVÉ)	89,9	91,8	92,7	94,5
Continu 2400 Hz (BAS)	82,4	84,8	85,7	88,4
Continu mécanique (ÉLEVÉ)	92,7	94,9	96,0	97,7
Continu mécanique (BAS)	86,0	88,2	89,6	91,4
Carillon continu (ÉLEVÉ)	83,6	84,9	85,1	86,4
Carillon continu (BAS)	78,1	80,4	80,9	82,9
Son « whoop-whoop » (ÉLEVÉ)	92,8	83,6	94,7	95,3
Son « whoop-whoop » (BAS)	81,1	83,3	84,6	86,6

AVIS :

- LE CODE NATIONAL DU BÂTIMENT ET LA NORME CAN/ULC S525 EXIGENT QUE TOUS LES AVERTISSEURS DESTINÉS À L'ÉVACUATION DU BÂTIMENT DIFFUSENT DES SIGNAUX TEMPORELS CODIFIÉS.
- LA PUISSANCE SONORE NOMINALE DU MODE TEMPOREL À 3 TONALITÉS EST INFÉRIEURE PARCE QUE LE TEMPS QUE L'AVERTISSEUR EST MUET EST AJOUTÉ À LA MOYENNE DE LA PUISSANCE SONORE. LES APPAREILS ONT FAIT L'OBJET D'ESSAI À 0 °C ET À 49 °C, À UNE HUMIDITÉ DE 93 %.

RENSEIGNEMENTS CAN/ULC SUR LE PRODUIT – CARACTÉRISTIQUES NOMINALES D'INTENSITÉ ACOUSTIQUE ET DE COURANT AVERTISSEUR ET AVERTISSEUR STROBOSCOPE

SE REPORTER AU TABLEAU CAN/ULC DES COURANTS DE L'AVERTISSEUR POUR LES CARACTÉRISTIQUES NOMINALES DE COURANT CAN/ULC POUR UN AVERTISSEUR ET UN AVERTISSEUR STROBOSCOPE EXTÉRIEUR

CARACTÉRISTIQUES SONORES NOMINALES EN DÉCIBELS DANS UNE CHAMBRE ANÉCHOÏQUE ULC (dBA à 3 mètres) POUR UN AVERTISSEUR ET UN AVERTISSEUR STROBOSCOPE EXTÉRIEUR				
Mode de l'avertisseur	Tension stabilisée maximum de 24 V RDA Caractéristiques nominales dBnps	Tension stabilisée maximum de 24 V RDA Caractéristiques nominales dBnps	24 V c.c. Caractéristiques nominales dBnps	24 V RDA Caractéristiques nominales dBnps
Temp. 3 2400 Hz (ÉLEVÉ)	89,1	91,8	92,9	94,8
Temp 3 2400Hz (BAS)	80,9	84,9	84,0	87,9
Temp. 3 mécanique (ÉLEVÉ)	91,7	94,0	94,9	96,8
Temp. 3 mécanique (BAS)	83,3	85,8	87,0	89,3
Temp 3 Chime (ÉLEVÉ)	82,8	83,8	84,5	85,2
Temp 3 Chime (BAS)	77,1	78,6	80,1	81,3
Continu 2400 Hz (ÉLEVÉ)	89,3	91,9	92,7	94,6
Continu 2400 Hz (BAS)	80,7	84,3	84,5	87,7
Continu mécanique (ÉLEVÉ)	92,3	94,0	95,4	97,1
Continu mécanique (BAS)	83,9	86,0	87,7	89,4
Carillon continu (ÉLEVÉ)	92,7	84,6	84,4	85,9
Carillon continu (BAS)	75,4	78,7	77,9	81,4
Son « whoop-whoop » (ÉLEVÉ)	91,6	91,2	93	92,6
Son « whoop-whoop » (BAS)	78,7	80,9	82,2	84,2

Caractéristiques sonores directionnelles : avertisseur et avertisseur/stroboscope extérieur	
	Angle horizontal
-3 dBA	10
-6 dBA	5
	Angle vertical
-3 dBA	70
-6 dBA	❖

❖ = AUCUNE PERTE MESURÉE

AVIS :

- LE CODE NATIONAL DU BÂTIMENT ET LA NORME CAN/ULC S525 EXIGENT QUE TOUS LES AVERTISSEURS DESTINÉS À L'ÉVACUATION DU BÂTIMENT DIFFUSENT DES SIGNAUX TEMPORELS CODIFIÉS.
- LA PUISSANCE SONORE NOMINALE DU MODE TEMPOREL À 3 TONALITÉS EST INFÉRIEURE PARCE QUE LE TEMPS QUE L'AVERTISSEUR EST MUET EST AJOUTÉ À LA MOYENNE DE LA PUISSANCE SONORE. LES APPAREILS ONT FAIT L'OBJET D'ESSAI À 0 °C ET À 49 °C, À UNE HUMIDITÉ DE 93 %.

GARANTIE LIMITÉE

Gentex garantit à l'acheteur initial que, dans des conditions normales d'utilisation et d'entretien, l'appareil sera exempt de tout défaut de fabrication ou de matériaux pendant 36 mois à compter de la date d'achat ou pendant un maximum de 42 mois à compter de la date de fabrication (ou pendant aussi longtemps que l'exigent les lois applicables).

Cette garantie est nulle et sans effet lorsque les dommages ou la défectuosité sont attribuables : à un accident, un usage abusif, un abus, une utilisation anormale, une installation fautive, un contact avec un liquide, un incendie, un séisme ou toute autre cause externe; à l'utilisation de l'appareil en dehors des directives établies par Gentex; à l'entretien, la modification, la maintenance ou la réparation effectuée par toute autre entreprise que Gentex. Cette garantie ne s'applique pas non plus : aux pièces consommables, comme les piles; aux dommages cosmétiques, y compris, mais sans en exclure d'autres, aux égratignures ou bosses; aux défaillances attribuables à l'usure normale ou au vieillissement normal de l'appareil; si le numéro de série de l'appareil a été supprimé ou altéré.

DANS LES LIMITES AUTORISÉES PAR LA LOI, LA PRÉSENTE GARANTIE ET LES RECOURS QUI Y SONT DÉFINIS SONT EXCLUSIFS ET REMPLACENT TOUTE AUTRE GARANTIE, RECOURS ET CONDITION, QU'ELLES SOIENT ORALES, ÉCRITES, LÉGALES, EXPRESSSES OU IMPLICITES, GENTEX DÉCLINE TOUTE GARANTIE LÉGALE ET IMPLICITE, Y COMPRIS, MAIS SANS EN INCLURE D'AUTRE, TOUTE GARANTIE DE COMMERCIALITÉ OU D'ADAPTATION À UN USAGE PARTICULIER AINSI QUE LES GARANTIES CONTRE LES VICÉS CACHÉS OU LES DÉFAUTS LATENTS. DANS LES LIMITES AUTORISÉES PAR LA LOI, DANS LA MESURE OÙ DE TELLES GARANTIES NE PEUVENT ÊTRE DÉCLINÉES, TOUTE GARANTIE IMPLICITE S'APPLIQUE UNIQUEMENT À LA PÉRIODE DE GARANTIE INDIQUÉE PLUS HAUT. À NOTER QUE CERTAINS ÉTATS (PAYS ET PROVINCES) N'ACCEPTENT PAS LES LIMITATIONS QUANT À LA DURÉE DES GARANTIES (OU DES CONDITIONS) IMPLICITES. IL SE PEUT DONC QUE LES LIMITATIONS CI-DESSUS NE S'APPLIQUENT PAS DANS VOTRE CAS.

DANS LA MESURE OÙ CELA N'EST PAS EXCLU DANS LA PRÉSENTE GARANTIE ET DANS LES LIMITES AUTORISÉES PAR LA LOI, GENTEX NE POURRA ÊTRE TENU RESPONSABLE DES DOMMAGES DIRECTS, SPÉCIAUX, INDIRECTS OU CONSÉCUTIFS DÉCOULANT DE TOUTE CONDITION OU BRIS DE LA GARANTIE OU PORTANT SUR LA VENTE, L'UTILISATION OU LA RÉPARATION DE L'APPAREIL, OU DE TOUTE AUTRE THÉORIE LÉGALE, Y COMPRIS, MAIS SANS EN EXCLURE D'AUTRES, DE LA PERTE D'USAGE, DE REVENUS OU DE PROFITS RÉELS OU ANTICIPÉS, DE LA PERTE D'UTILISATION DES FONDS, D'AFFAIRES OU D'OCCASIONS, DE LA PERTE DE CLIENTÈLE OU DE L'ATTEINTE À LA RÉPUTATION. LA RESPONSABILITÉ MAXIMALE DE GENTEX NE PEUT EN AUCUN CAS ÊTRE SUPÉRIEURE AU PRIX D'ACHAT DE L'APPAREIL. VEUILLEZ NOTER QUE CERTAINS ÉTATS (PAYS ET PROVINCES) N'AUTORISENT PAS L'EXCLUSION OU LA LIMITATION DES DOMMAGES ACCIDENTELS OU CONSÉCUTIFS, DE SORTES QUE LES LIMITATIONS OU EXCLUSIONS CI-DESSUS POURRAIENT NE PAS S'APPLIQUER DANS VOTRE CAS.

Si un défaut de fabrication ou de matériau entraîne la défaillance de votre appareil pendant la période de garantie, vous devez le retourner à Gentex, port payé, à l'adresse suivante : Gentex Corporation, 10985 Chicago Dr., Zeeland MI 49464. Vous devez apporter la preuve de la date d'achat de l'appareil, à la satisfaction de Gentex. Vous devez aussi fournir votre adresse pour le retour de l'appareil. Le service sous garantie peut être uniquement exécuté par le personnel de Gentex, dans les installations de Gentex de Zeeland au Michigan. Il faut aussi emballer soigneusement l'appareil pour réduire au minimum les risques de dommage pendant le transport. Si nous recevons un appareil endommagé en cours de transport, nous vous en aviserons et il vous reviendra d'obtenir dédommagement de la part du transporteur.

Si vous transmettez une demande valable à Gentex pendant la période de garantie, Gentex assumera, sans frais et à sa discrétion, la réparation de votre appareil ou vous fournira un appareil neuf ou remis à neuf; vous n'aurez qu'à assumer les frais d'acheminement de l'appareil par la poste. Gentex ne s'engage pas à rembourser les frais des pièces de rechange ou des réparations effectuées par d'autres parties. L'appareil réparé ou de remplacement vous sera retourné sans frais et il sera couvert en vertu de la garantie pendant la période de garantie résiduelle, le cas échéant. Lors du remplacement d'un produit ou d'une pièce, l'élément de remplacement devient votre propriété tandis que l'élément remplacé devient la propriété de Gentex. Pour de plus amples renseignements sur la garantie ou le produit, visitez www.gentex.com.

LA PRÉSENTE GARANTIE VOUS ACCORDE DES DROITS PARTICULIERS, MAIS IL SE POURRAIT QUE VOUS AYEZ AUSSI D'AUTRES DROITS, QUI VARIENT D'UN ÉTAT (PAYS OU PROVINCE) À L'AUTRE. DANS LA PRÉSENTE GARANTIE, GENTEX NE LIMITE PAS VOS DROITS ET N'EN EXCLUT AUCUN, DU MOINS DANS LES LIMITES AUTORISÉES PAR LA LOI. POUR BIEN COMPRENDRE VOS DROITS, VOUS DEVRIEZ CONSULTER LA LÉGISLATION DE VOTRE PAYS, PROVINCE OU ÉTAT.

Avis important :

Ces renseignements ont été préparés par Gentex Corporation (ci-après « Gentex ») à titre informatif uniquement; ils sont de nature sommaire et ne constituent nullement des avis juridiques et ne doivent par conséquent pas être utilisés à une telle fin. À cet égard, Gentex ne fait aucune représentation ni garantie, explicite ou implicite, que ces renseignements sont exhaustifs et exacts, à jour ou conformes aux lois, règlements ou règles locales, provinciales ou fédérales. Ces renseignements ne tiennent pas compte de toutes les considérations juridiques, en raison des inévitables incertitudes quant à l'interprétation des lois et règlements et à la mise en application de ces lois et règlements en fonction des situations particulières. Les activités de chaque personne peuvent modifier les obligations pertinentes en vertu des lois ou des règlements en vigueur. Par conséquent, ces renseignements ne doivent être utilisés qu'à des fins informationnelles et ne doivent pas servir à remplacer un avis juridique professionnel. Gentex n'assumera aucune responsabilité quant aux mesures ou activités qui pourraient être, ou ne pas être, prises ou effectuées à la suite de ces renseignements.